

**BRANDVAN**  
® **EGMOND**



PRICELIST EUROPE  
BRAND VAN EGMOND **2019**


















# Pricelist 2019


















Every year we at BRAND VAN EGMOND strive to use all our knowledge and experience in order to create some of the most astounding lighting sculptures.

We are constantly inspired by the world around us, the people we meet and the beautiful projects we are invited to be part of. In return, we are frequently asked to translate unique lighting wishes into handcrafted reality.

Partners like Louis Vuitton, Chopard and the Four Seasons Hotels invited BRAND VAN EGMOND to create tailor-made lighting solutions for their spaces. We welcome everybody who wants to see our designs, or would like personal advice from William Brand and his team, to our office and ateliers in Naarden, The Netherlands.

# Content

	LOUISE - <i>NEW</i>	4
	ERSA - <i>NEW</i>	6
	EDISON'S TAIL	12
	SHIRO	16
	EVE	20
	FRACTAL	24
	FRACTAL CLOUD	26
	FLINTSTONE	28
	KELP	30
	KELP FORTUNA	40
	ARTHUR	44
	VICTORIA	48
	SULTANS OF SWING	52
	DIAMONDS FROM AMSTERDAM	58
	TABLE D'AMIS <i>Only a few items of this collection are available on request.</i>	60
	LA VIE EN ROSE	62
	COCO	66

	FLOATING CANDLES	70
	LOVE YOU LOVE YOU NOT	74
	LOLA	78
	NIGHT WATCH	80
	CANDLES AND SPIRITS	82
	FLOWER POWER	86
	ICY LADY	90
	BROOM	94
	RHAPSODY IN BLUE	96
	CRYSTAL WATERS	98
	DELPHINIUM	102
	HOLLYWOOD	106
	HOLLYWOOD GLASS	114
	CERTIFICATE	117
	GENERAL TERMS AND CONDITIONS OF SALES	118
	MINIMUM ADVERTISED PRICING POLICY	121
	THE DESIGNER	122

# Collection Louise 2018

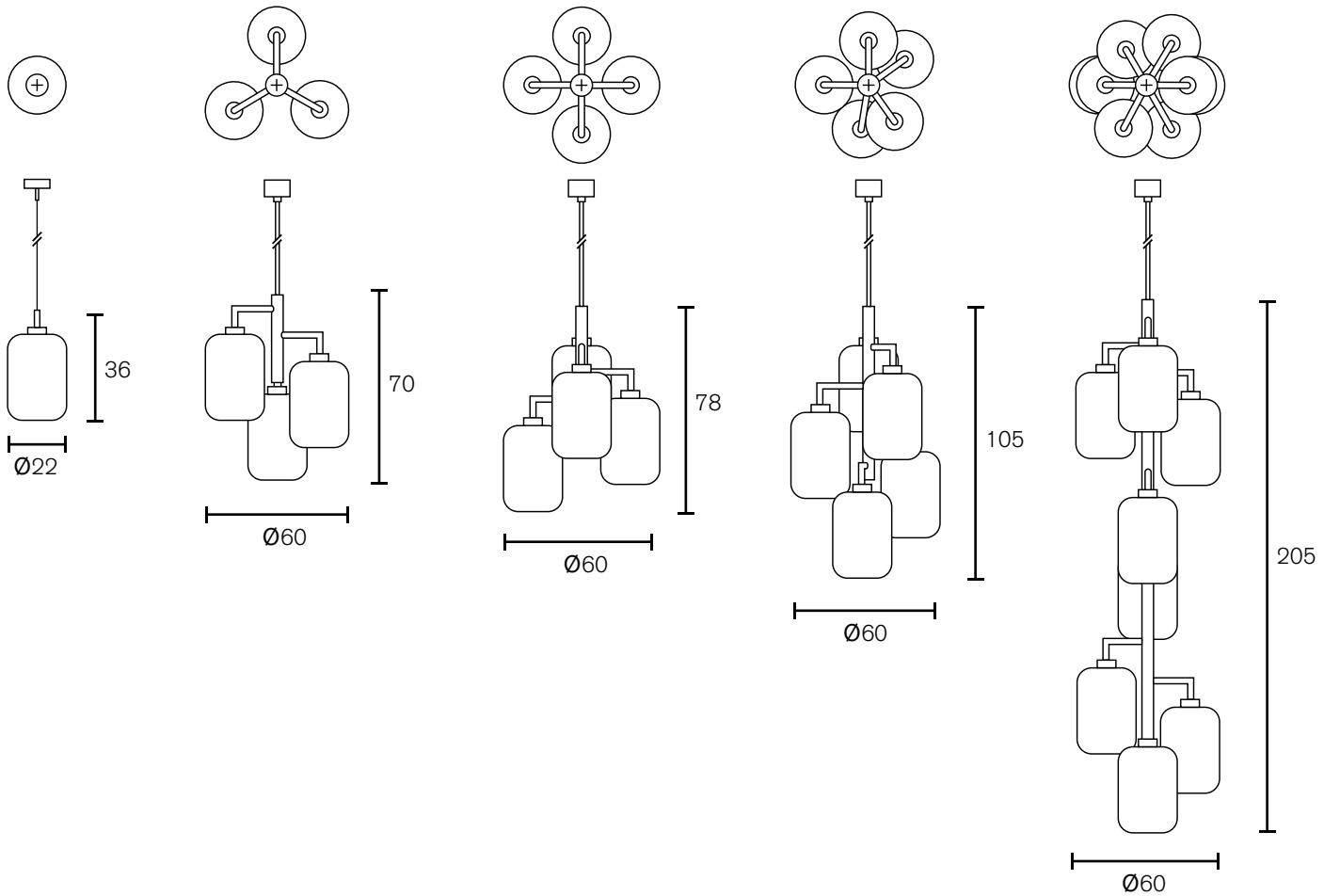


**LOUISE-STANDARD** HANGINGLAMP IN BRASS BURNISHED FINISH WITH A BRONZE, CLEAR SATIN, GREY AND IRIDESCENT GLASS LANTERNS

**L05BRBUR**

## Hanging Lamp

Art.nr.	Dimensions	Light bulb	Weight	Finish	Price
LO1BRBUR	Ø22xH.36 cm	1x E27	2,4 kg	brass burnished finish	€ 1,260
LO3BRBUR	Ø60xH.70 cm	3x E27	11,5 kg	brass burnished finish	€ 2,940
LO4BRBUR	Ø60xH.78 cm	4x E27	14,0 kg	brass burnished finish	€ 3,570
LO5BRBUR	Ø60xH.105 cm	5x E27	18,0 kg	brass burnished finish	€ 4,200
LO8BRBUR	Ø60xH.205 cm	8x E27	28,0 kg	brass burnished finish	€ 5,670



## Lanterns

Art.nr.	Finish
GLLOBRO22	Louise, Glass Bronze Ø22cm
GLLOGREY22	Louise, Glass Grey Ø22cm
GLLOIRI22	Louise, Glass Iridescent Ø22cm
GLLOSAT22	Louise, Glass Clear Satin Ø22cm

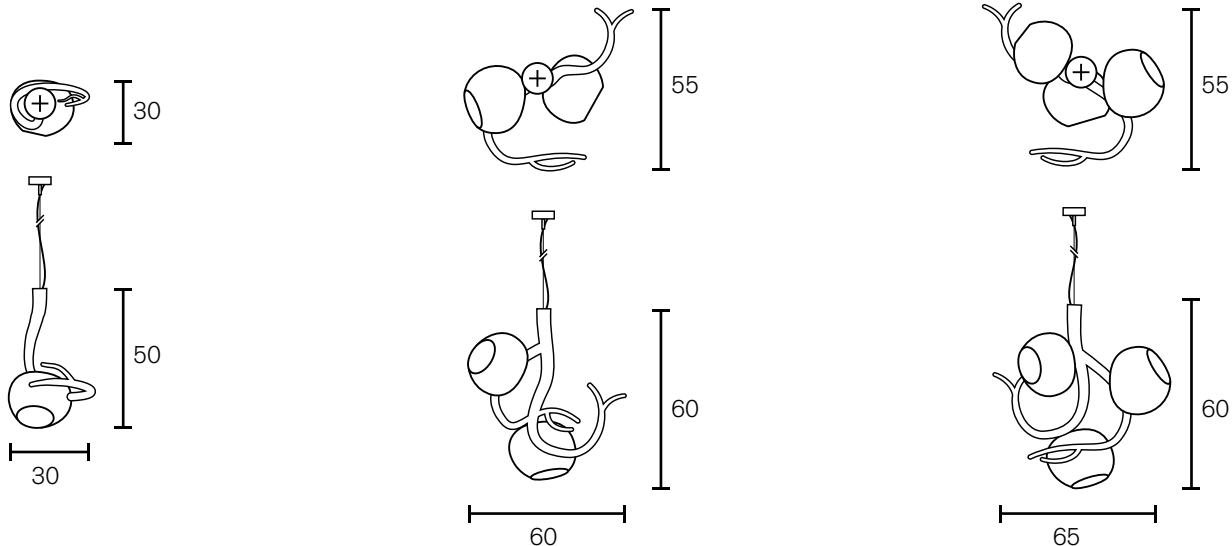
All hanging lamps are supplied with 2m stem, 2 m steel and electra cable and a ceiling shade.  
 Standard the frame is available in burnished brass, other colours on request.  
 Glass lanterns can be supplied in bronze, grey, iridescent and clear satin finish without upcharge.

Specifications and prices are subject to change without prior notice. Prices are exclusive of VAT.

# Collection Ersa 2017



Art.nr.	Afmetingen	Lichtbron	Gewicht	Finish	Prijs
ERSA1BLM-GLIRI	L.30xH.50x D.30 cm	1x E27	6,0 kg	black matt finish, glass sphere iridescent	€ 2.079
ERSA1WM-GLIRI	L.30xH.50x D.30 cm	1x E27	6,0 kg	white matt finish, glass sphere iridescent	€ 2.079
ERSA1B-GLIRI	L.30xH.50x D.30 cm	1x E27	6,0 kg	bronze finish, glass sphere iridescent	€ 2.079
ERSA1N-GLIRI	L.30xH.50x D.30 cm	1x E27	6,0 kg	nickel finish, glass sphere iridescent	€ 2.310
ERSA1BR-GLIRI	L.30xH.50x D.30 cm	1x E27	6,0 kg	brass finish, glass sphere iridescent	€ 2.772
ERSA1BRA-GLIRI	L.30xH.50x D.30 cm	1x E27	6,0 kg	brass aged finish, glass sphere iridescent	€ 2.772
ERSA1BRBUR-GLIRI	L.30xH.50x D.30 cm	1x E27	6,0 kg	brass burnished finish, glass sphere iridescent	€ 2.310
ERSA1COP-GLIRI	L.30xH.50x D.30 cm	1x E27	6,0 kg	copper finish, glass sphere iridescent	€ 2.772
ERSA2BLM-GLIRI	L.60xH.60x D.55 cm	2x E27	8,0 kg	black matt finish, glass sphere iridescent	€ 2.741
ERSA2WM-GLIRI	L.60xH.60x D.55 cm	2x E27	8,0 kg	white matt finish, glass sphere iridescent	€ 2.741
ERSA2B-GLIRI	L.60xH.60x D.55 cm	2x E27	8,0 kg	bronze finish, glass sphere iridescent	€ 2.741
ERSA2N-GLIRI	L.60xH.60x D.55 cm	2x E27	8,0 kg	nickel finish, glass sphere iridescent	€ 3.045
ERSA2BR-GLIRI	L.60xH.60x D.55 cm	2x E27	8,0 kg	brass finish, glass sphere iridescent	€ 3.654
ERSA2BRA-GLIRI	L.60xH.60x D.55 cm	2x E27	8,0 kg	brass aged finish, glass sphere iridescent	€ 3.654
ERSA2BRBUR-GLIRI	L.60xH.60x D.55 cm	2x E27	8,0 kg	brass burnished finish, glass sphere iridescent	€ 3.045
ERSA2COP-GLIRI	L.60xH.60x D.55 cm	2x E27	8,0 kg	copper finish, glass sphere iridescent	€ 3.654
ERSA3BLM-GLIRI	L.65xH.60x D.55 cm	3x E27	10,0 kg	black matt finish, glass sphere iridescent	€ 3.119
ERSA3WM-GLIRI	L.65xH.60x D.55 cm	3x E27	10,0 kg	white matt finish, glass sphere iridescent	€ 3.119
ERSA3B-GLIRI	L.65xH.60x D.55 cm	3x E27	10,0 kg	bronze finish, glass sphere iridescent	€ 3.119
ERSA3N-GLIRI	L.65xH.60x D.55 cm	3x E27	10,0 kg	nickel finish, glass sphere iridescent	€ 3.465
ERSA3BR-GLIRI	L.65xH.60x D.55 cm	3x E27	10,0 kg	brass finish, glass sphere iridescent	€ 4.158
ERSA3BRA-GLIRI	L.65xH.60x D.55 cm	3x E27	10,0 kg	brass aged finish, glass sphere iridescent	€ 4.158
ERSA3BRBUR-GLIRI	L.65xH.60x D.55 cm	3x E27	10,0 kg	brass burnished finish, glass sphere iridescent	€ 3.465
ERSA3COP-GLIRI	L.65xH.60x D.55 cm	3x E27	10,0 kg	copper finish, glass sphere iridescent	€ 4.158

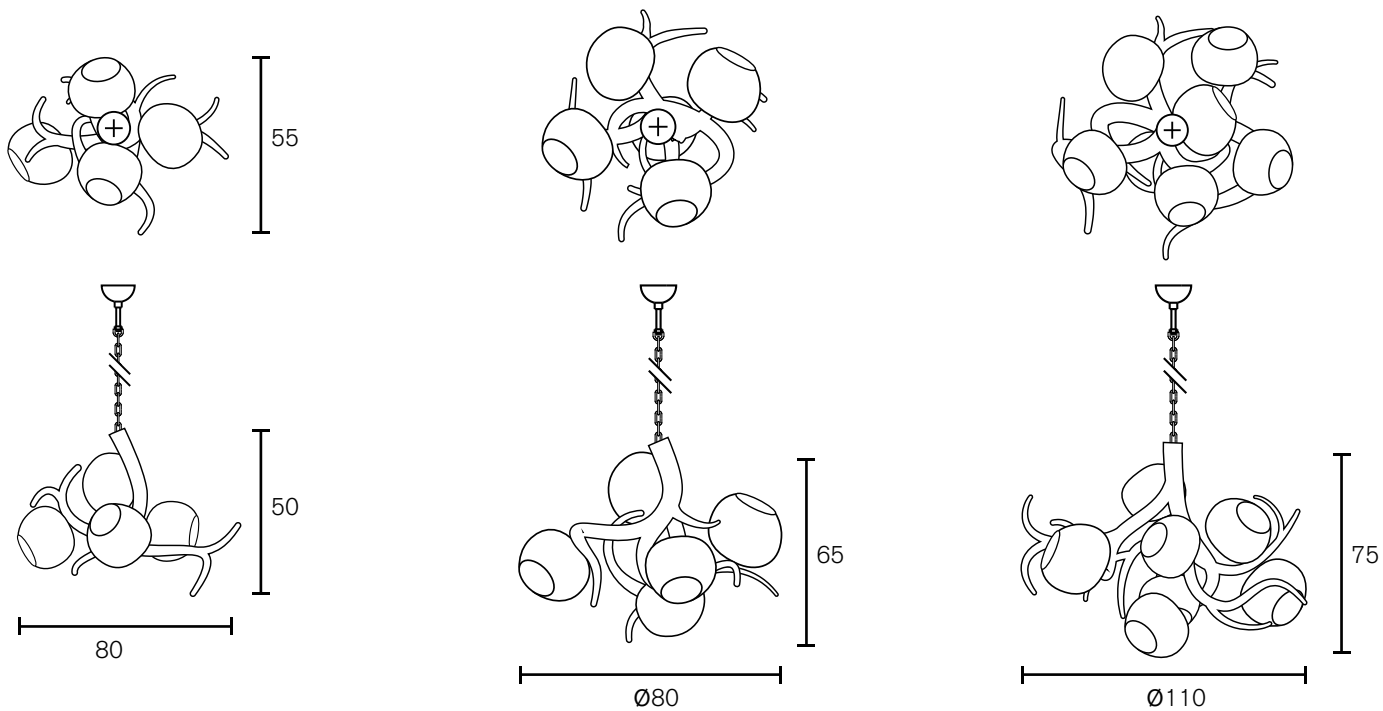


All hanging lamps are supplied with 2m steel and 2m electrical cable and a ceiling shade.  
Standard the Ersa will be delivered with iridescent glass spheres. Other options are bronze translucent or clear glass spheres, without upcharge

Specifications and prices are subject to change without prior notice. Prices are exclusive of VAT.



Art.nr.	Dimensions	Light bulb	Weight	Finish	Price
ERSA4BLM-GLIRI	L.80xW.55xH.50 cm	4x E27	11,0 kg	black matt finish, glass sphere iridescent	€ 3.875
ERSA4WM-GLIRI	L.80xW.55xH.50 cm	4x E27	11,0 kg	white matt finish, glass sphere iridescent	€ 3.875
ERSA4B-GLIRI	L.80xW.55xH.50 cm	4x E27	11,0 kg	bronze finish, glass sphere iridescent	€ 3.875
ERSA4N-GLIRI	L.80xW.55xH.50 cm	4x E27	11,0 kg	nickel finish, glass sphere iridescent	€ 4.305
ERSA4BR-GLIRI	L.80xW.55xH.50 cm	4x E27	11,0 kg	brass finish, glass sphere iridescent	€ 5.166
ERSA4BR-GLBRO	L.80xW.55xH.50 cm	4x E27	11,0 kg	brass finish, glass sphere bronze	€ 5.166
ERSA4BRA-GLIRI	L.80xW.55xH.50 cm	4x E27	11,0 kg	brass aged finish, glass sphere iridescent	€ 5.166
ERSA4BRBUR-GLIRI	L.80xW.55xH.50 cm	4x E27	11,0 kg	brass burnished finish, glass sphere iridescent	€ 4.305
ERSA4COP-GLIRI	L.80xW.55xH.50 cm	4x E27	11,0 kg	copper finish, glass sphere iridescent	€ 5.166
ERSAC80BLM-GLIRI	Ø80xH.65 cm	5x E27	15,0 kg	black matt finish, glass sphere iridescent	€ 5.103
ERSAC80WM-GLIRI	Ø80xH.65 cm	5x E27	15,0 kg	white matt finish, glass sphere iridescent	€ 5.103
ERSAC80B-GLIRI	Ø80xH.65 cm	5x E27	15,0 kg	bronze finish, glass sphere iridescent	€ 5.103
ERSAC80N-GLIRI	Ø80xH.65 cm	5x E27	15,0 kg	nickel finish, glass sphere iridescent	€ 5.670
ERSAC80BR-GLIRI	Ø80xH.65 cm	5x E27	15,0 kg	brass finish, glass sphere iridescent	€ 6.804
ERSAC80BRA-GLIRI	Ø80xH.65 cm	5x E27	15,0 kg	brass aged finish, glass sphere iridescent	€ 6.804
ERSAC80BRBUR-GLIRI	Ø80xH.65 cm	5x E27	15,0 kg	brass burnished finish, glass sphere iridescent	€ 5.670
ERSAC80COP-GLIRI	Ø80xH.65 cm	5x E27	15,0 kg	copper finish, glass sphere iridescent	€ 6.804
ERSAC100BLM-GLIRI	Ø110xH.75 cm	7x E27	23,0 kg	black matt finish, glass sphere iridescent	€ 7.182
ERSAC100WM-GLIRI	Ø110xH.75 cm	7x E27	23,0 kg	white matt finish, glass sphere iridescent	€ 7.182
ERSAC100B-GLIRI	Ø110xH.75 cm	7x E27	23,0 kg	bronze finish, glass sphere iridescent	€ 7.182
ERSAC100N-GLIRI	Ø110xH.75 cm	7x E27	23,0 kg	nickel finish, glass sphere iridescent	€ 7.980
ERSAC100BR-GLIRI	Ø110xH.75 cm	7x E27	23,0 kg	brass finish, glass sphere iridescent	€ 9.576
ERSAC100BRA-GLIRI	Ø110xH.75 cm	7x E27	23,0 kg	brass aged finish, glass sphere iridescent	€ 9.576
ERSAC100BRBUR-GLIRI	Ø110xH.75 cm	7x E27	23,0 kg	brass burnished finish, glass sphere iridescent	€ 7.980
ERSAC100COP-GLIRI	Ø110xH.75 cm	7x E27	23,0 kg	copper finish, glass sphere iridescent	€ 9.576



All chandeliers are supplied with 1,7 meter chain, 2 meter electrical cable and a ceiling shade.

Standard the Ersa will be delivered with iridescent glass spheres. Other options are bronze translucent or clear glass spheres, without upcharge

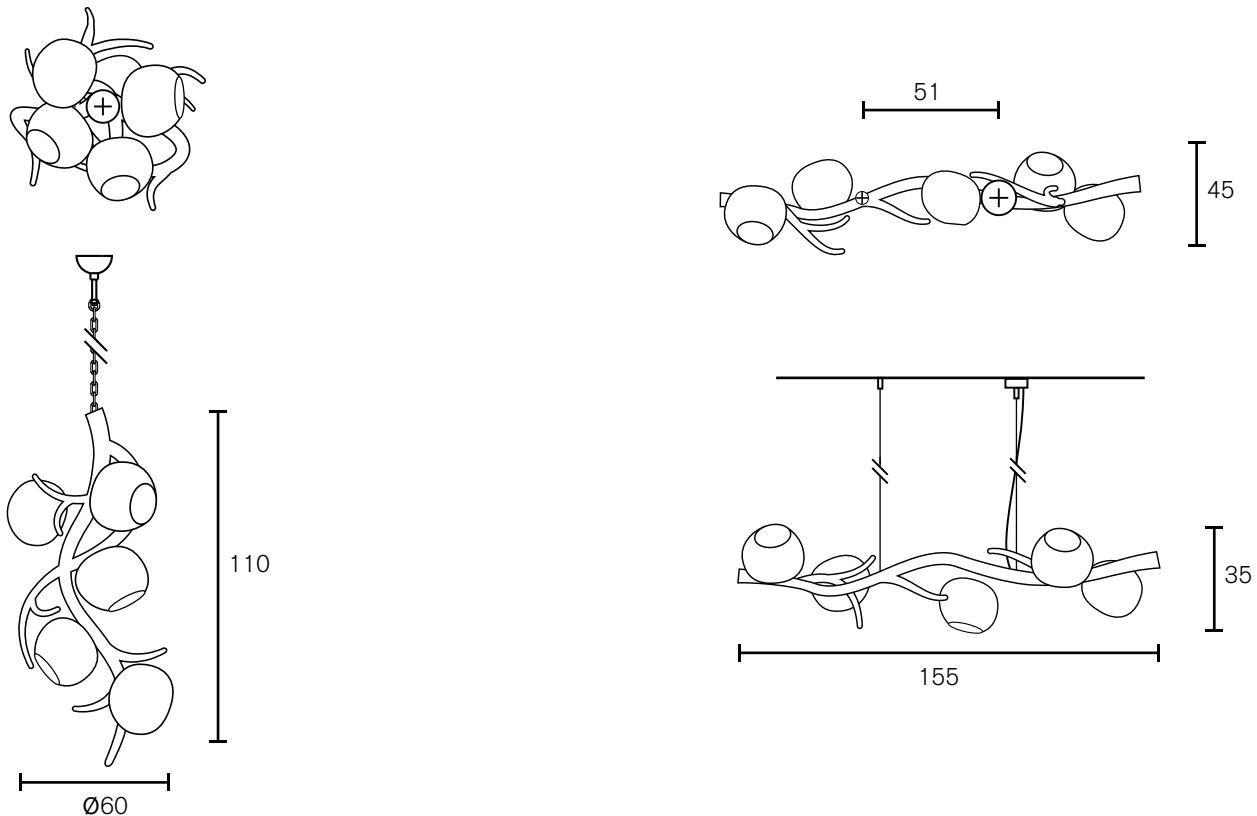
Specifications and prices are subject to change without prior notice. Prices are exclusive of VAT.

## Suspension Vertical

Art.nr.	Dimensions	Light bulb	Weight	Finish	Price
ERSAV110BLM-GLIRI	Ø60xH.110 cm	5x E27	15,0 kg	black matt finish. glass sphere iridescent	€ 5.859
ERSAV110WM-GLIRI	Ø60xH.110 cm	5x E27	15,0 kg	white matt finish. glass sphere iridescent	€ 5.859
ERSAV110B-GLIRI	Ø60xH.110 cm	5x E27	15,0 kg	bronze finish. glass sphere iridescent	€ 5.859
ERSAV110N-GLIRI	Ø60xH.110 cm	5x E27	15,0 kg	nickel finish. glass sphere iridescent	€ 6.510
ERSAV110BR-GLIRI	Ø60xH.110 cm	5x E27	15,0 kg	brass finish. glass sphere iridescent	€ 7.812
ERSAV110BRA-GLIRI	Ø60xH.110 cm	5x E27	15,0 kg	brass aged finish. glass sphere iridescent	€ 7.812
ERSAV110BRBUR-GLIRI	Ø60xH.110 cm	5x E27	15,0 kg	brass burnished finish. glass sphere iridescent	€ 6.510
ERSAV110COP-GLIRI	Ø60xH.110 cm	5x E27	15,0 kg	copper finish. glass sphere iridescent	€ 7.812

## Hanging Lamp Long

Art.nr.	Afmetingen	Lichtbron	Gewicht	Finish	Prijs
ERSAHL150BLM-GLIRI	L.155xW.45xH.35 cm	5x E27	15,0 kg	black matt finish. glass sphere iridescent	€ 5.859
ERSAHL150WM-GLIRI	L.155xW.45xH.35 cm	5x E27	15,0 kg	white matt finish. glass sphere iridescent	€ 5.859
ERSAHL150B-GLIRI	L.155xW.45xH.35 cm	5x E27	15,0 kg	bronze finish. glass sphere iridescent	€ 5.859
ERSAHL150N-GLIRI	L.155xW.45xH.35 cm	5x E27	15,0 kg	nickel finish. glass sphere iridescent	€ 6.510
ERSAHL150BR-GLIRI	L.155xW.45xH.35 cm	5x E27	15,0 kg	brass finish. glass sphere iridescent	€ 7.812
ERSAHL150BRA-GLIRI	L.155xW.45xH.35 cm	5x E27	15,0 kg	brass aged finish. glass sphere iridescent	€ 7.812
ERSAHL150BRBUR-GLIRI	L.155xW.45xH.35 cm	5x E27	15,0 kg	brass burnished finish. glass sphere iridescent	€ 6.510
ERSAHL150COP-GLIRI	L.155xW.45xH.35 cm	5x E27	15,0 kg	copper finish. glass sphere iridescent	€ 7.812

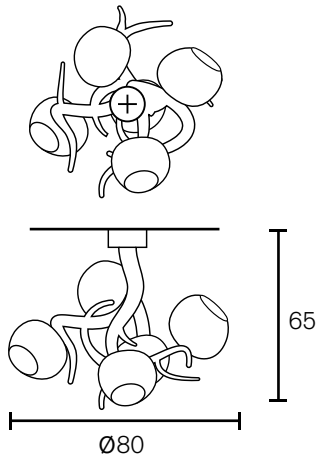


All hanging lamps are supplied with 1,7m chain or 2m electrical cable, 2 m steel cable and a ceiling shade.  
Standard the Ersa will be delivered with iridescent glass spheres. Other options are bronze translucent or clear glass spheres, without upcharge

Specifications and prices are subject to change without prior notice. Prices are exclusive of VAT.

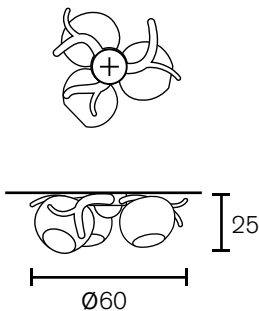
## Ceiling Chandelier

Art.nr.	Afmetingen	Lichtbron	Gewicht	Finish	Prijs
ERSACP80BLM-GLIRI	Ø80xH.65 cm	5x E27	13,0 kg	black matt finish. glass sphere iridescent	€ 5.103
ERSACP80WM-GLIRI	Ø80xH.65 cm	5x E27	13,0 kg	white matt finish. glass sphere iridescent	€ 5.103
ERSACP80B-GLIRI	Ø80xH.65 cm	5x E27	13,0 kg	bronze finish. glass sphere iridescent	€ 5.103
ERSACP80N-GLIRI	Ø80xH.65 cm	5x E27	13,0 kg	nickel finish. glass sphere iridescent	€ 5.670
ERSACP80BR-GLIRI	Ø80xH.65 cm	5x E27	13,0 kg	brass finish. glass sphere iridescent	€ 6.804
ERSACP80BRA-GLIRI	Ø80xH.65 cm	5x E27	13,0 kg	brass aged finish. glass sphere iridescent	€ 6.804
ERSACP80BRBUR-GLIRI	Ø80xH.65 cm	5x E27	13,0 kg	brass burnished finish. glass sphere iridescent	€ 5.670
ERSACP80COP-GLIRI	Ø80xH.65 cm	5x E27	13,0 kg	copper finish. glass sphere iridescent	€ 6.804



## Ceiling Lamp Round

Art.nr.	Afmetingen	Lichtbron	Gewicht	Finish	Prijs
ERSAP60BLM-GLIRI	Ø60xH.25 cm	3x E27	10,0 kg	black matt finish. glass sphere iridescent	€ 3.024
ERSAP60WM-GLIRI	Ø60xH.25 cm	3x E27	10,0 kg	white matt finish. glass sphere iridescent	€ 3.024
ERSAP60B-GLIRI	Ø60xH.25 cm	3x E27	10,0 kg	bronze finish. glass sphere iridescent	€ 3.024
ERSAP60N-GLIRI	Ø60xH.25 cm	3x E27	10,0 kg	nickel finish. glass sphere iridescent	€ 3.360
ERSAP60BR-GLIRI	Ø60xH.25 cm	3x E27	10,0 kg	brass finish. glass sphere iridescent	€ 4.032
ERSAP60BRA-GLIRI	Ø60xH.25 cm	3x E27	10,0 kg	brass aged finish. glass sphere iridescent	€ 4.032
ERSAP60BRBUR-GLIRI	Ø60xH.25 cm	3x E27	10,0 kg	brass burnished finish. glass sphere iridescent	€ 3.360
ERSAP60COP-GLIRI	Ø60xH.25 cm	3x E27	10,0 kg	copper finish. glass sphere iridescent	€ 4.032

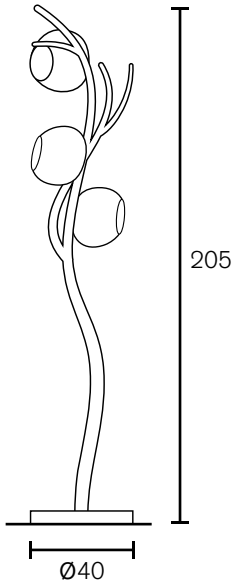


Standard the Ersa will be delivered with iridescent glass spheres. Other options are bronze translucent or clear glass spheres, without upcharge

Specifications and prices are subject to change without prior notice. Prices are exclusive of VAT.

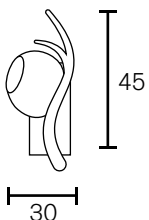
## Floor Lamp

Art.nr.	Dimensions	Light bulb	Weight	Finish	Price
ERSAF200BLM-GLIRI	Ø40xH.205 cm	3x E27	24,0 kg	black matt finish. glass sphere iridescent	€ 4.064
ERSAF200WM-GLIRI	Ø40xH.205 cm	3x E27	24,0 kg	white matt finish. glass sphere iridescent	€ 4.064
ERSAF200B-GLIRI	Ø40xH.205 cm	3x E27	24,0 kg	bronze finish. glass sphere iridescent	€ 4.064
ERSAF200N-GLIRI	Ø40xH.205 cm	3x E27	24,0 kg	nickel finish. glass sphere iridescent	€ 4.515
ERSAF200BR-GLIRI	Ø40xH.205 cm	3x E27	24,0 kg	brass finish. glass sphere iridescent	€ 5.418
ERSAF200BRA-GLIRI	Ø40xH.205 cm	3x E27	24,0 kg	brass aged finish. glass sphere iridescent	€ 5.418
ERSAF200BRBUR-GLIRI	Ø40xH.205 cm	3x E27	24,0 kg	brass burnished finish. glass sphere iridescent	€ 4.515
ERSAF200COP-GLIRI	Ø40xH.205 cm	3x E27	24,0 kg	copper finish. glass sphere iridescent	€ 5.418



## Wall lamp

Art.nr.	Afmetingen	Lichtbron	Gewicht	Finish	Prijs
ERSAW30BLM-GLIRI	W.30xH.45xD.29 cm	1x E27	4,0 kg	black matt finish. glass sphere iridescent	€ 2.079
ERSAW30WM-GLIRI	W.30xH.45xD.29 cm	1x E27	4,0 kg	white matt finish. glass sphere iridescent	€ 2.079
ERSAW30B-GLIRI	W.30xH.45xD.29 cm	1x E27	4,0 kg	bronze finish. glass sphere iridescent	€ 2.079
ERSAW30N-GLIRI	W.30xH.45xD.29 cm	1x E27	4,0 kg	nickel finish. glass sphere iridescent	€ 2.310
ERSAW30BR-GLIRI	W.30xH.45xD.29 cm	1x E27	4,0 kg	brass finish. glass sphere iridescent	€ 2.772
ERSAW30BRA-GLIRI	W.30xH.45xD.29 cm	1x E27	4,0 kg	brass aged finish. glass sphere iridescent	€ 2.772
ERSAW30BRBUR-GLIRI	W.30xH.45xD.29 cm	1x E27	4,0 kg	brass burnished finish. glass sphere iridescent	€ 2.310
ERSAW30COP-GLIRI	W.30xH.45xD.29 cm	1x E27	4,0 kg	copper finish. glass sphere iridescent	€ 2.772



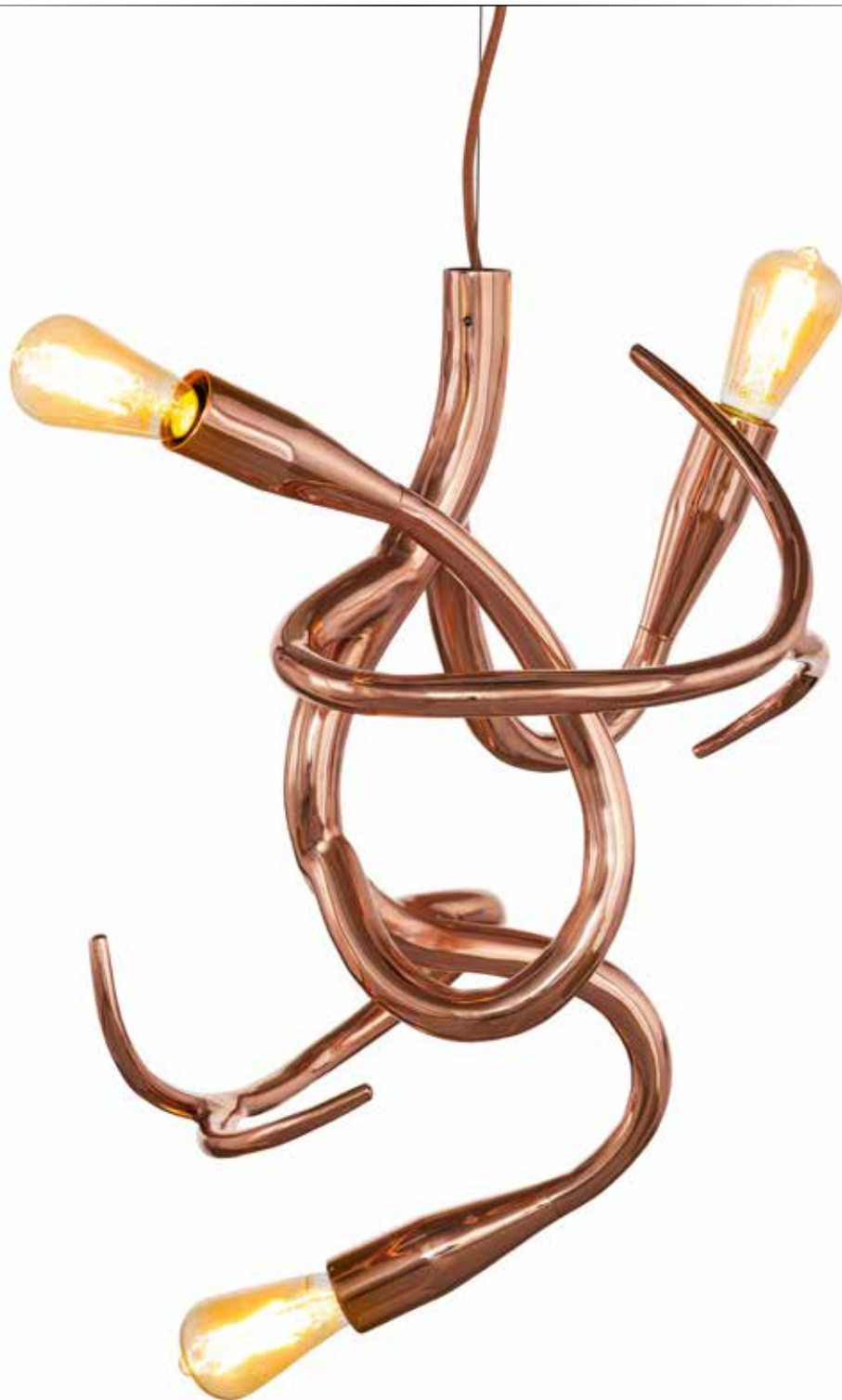
Floor lamps are supplied with a dimmer

Standard the ERSA will be delivered with iridescent glass spheres. Other options are bronze translucent or clear glass spheres, without upcharge

Specifications and prices are subject to change without prior notice. Prices are exclusive of VAT.

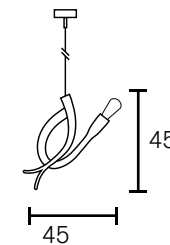
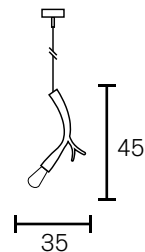
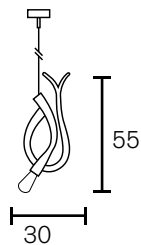
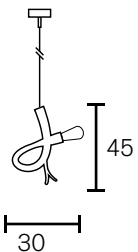
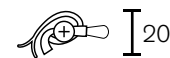
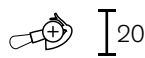
# Collection Edison's Tail 2017

---



## Element

Art.nr.	Dimensions	Light bulb	Weight	Finish	Price
ED1QBLM	L.30xH.45x D.30 cm	1x E27	2,5 kg	black matt finish	€ 1.286
ED1QWM	L.30xH.45x D.30 cm	1x E27	2,5 kg	white matt finish	€ 1.286
ED1QB	L.30xH.45x D.30 cm	1x E27	2,5 kg	bronze finish	€ 1.286
ED1QN	L.30xH.45x D.30 cm	1x E27	2,5 kg	nickel finish	€ 1.547
ED1QBR	L.30xH.45x D.30 cm	1x E27	2,5 kg	brass finish	€ 1.647
ED1QBRA	L.30xH.45x D.30 cm	1x E27	2,5 kg	brass aged finish	€ 1.647
ED1QBRBUR	L.30xH.45x D.30 cm	1x E27	2,5 kg	brass burnished finish	€ 1.547
ED1QCOP	L.30xH.45x D.30 cm	1x E27	2,5 kg	copper finish	€ 1.647
ED1XBLM	L.30xH.55x D.20 cm	1x E27	2,5 kg	black matt finish	€ 1.391
ED1XWM	L.30xH.55x D.20 cm	1x E27	2,5 kg	white matt finish	€ 1.391
ED1XB	L.30xH.55x D.20 cm	1x E27	2,5 kg	bronze finish	€ 1.391
ED1XN	L.30xH.55x D.20 cm	1x E27	2,5 kg	nickel finish	€ 1.647
ED1XBR	L.30xH.55x D.20 cm	1x E27	2,5 kg	brass finish	€ 1.747
ED1XBRA	L.30xH.55x D.20 cm	1x E27	2,5 kg	brass aged finish	€ 1.747
ED1XBRBUR	L.30xH.55x D.20 cm	1x E27	2,5 kg	brass burnished finish	€ 1.647
ED1XCOP	L.30xH.55x D.20 cm	1x E27	2,5 kg	copper finish	€ 1.747
ED1YBLM	L.35xH.45x D.20 cm	1x E27	2,5 kg	black matt finish	€ 1.286
ED1YWM	L.35xH.45x D.20 cm	1x E27	2,5 kg	white matt finish	€ 1.286
ED1YB	L.35xH.45x D.20 cm	1x E27	2,5 kg	bronze finish	€ 1.286
ED1YN	L.35xH.45x D.20 cm	1x E27	2,5 kg	nickel finish	€ 1.547
ED1YBR	L.35xH.45x D.20 cm	1x E27	2,5 kg	brass finish	€ 1.647
ED1YBRA	L.35xH.45x D.20 cm	1x E27	2,5 kg	brass aged finish	€ 1.647
ED1YBRBUR	L.35xH.45x D.20 cm	1x E27	2,5 kg	brass burnished finish	€ 1.547
ED1YCOP	L.35xH.45x D.20 cm	1x E27	2,5 kg	copper finish	€ 1.647
ED1ZBLM	L.45xH.45x D.20 cm	1x E27	2,5 kg	black matt finish	€ 1.391
ED1ZWM	L.45xH.45x D.20 cm	1x E27	2,5 kg	white matt finish	€ 1.391
ED1ZB	L.45xH.45x D.20 cm	1x E27	2,5 kg	bronze finish	€ 1.391
ED1ZN	L.45xH.45x D.20 cm	1x E27	2,5 kg	nickel finish	€ 1.647
ED1ZBR	L.45xH.45x D.20 cm	1x E27	2,5 kg	brass finish	€ 1.747
ED1ZBRA	L.45xH.45x D.20 cm	1x E27	2,5 kg	brass aged finish	€ 1.747
ED1ZBRBUR	L.45xH.45x D.20 cm	1x E27	2,5 kg	brass burnished finish	€ 1.647
ED1ZCOP	L.45xH.45x D.20 cm	1x E27	2,5 kg	copper finish	€ 1.747



ED1Q

ED1X

ED1Y

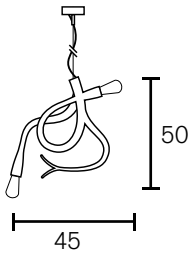
ED1Z

All elements are supplied with 2m electrical cable and a ceiling shade.  
Edison's Tail with 1 light hangs on a electric cable only

Specifications and prices are subject to change without prior notice. Prices are exclusive of VAT.

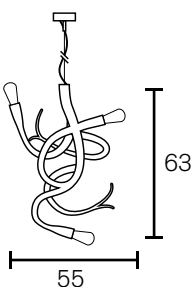
## Element

Art.nr.	Dimensions	Light bulb	Weight	Finish	Price
ED2BLM	L.45xH.50x D.40 cm	2x E27	5,0 kg	black matt finish	€ 2.165
ED2WM	L.45xH.50x D.40 cm	2x E27	5,0 kg	white matt finish	€ 2.165
ED2B	L.45xH.50x D.40 cm	2x E27	5,0 kg	bronze finish	€ 2.165
ED2N	L.45xH.50x D.40 cm	2x E27	5,0 kg	nickel finish	€ 2.369
ED2BR	L.45xH.50x D.40 cm	2x E27	5,0 kg	brass finish	€ 2.681
ED2BRA	L.45xH.50x D.40 cm	2x E27	5,0 kg	brass aged finish	€ 2.681
ED2BRBUR	L.45xH.50x D.40 cm	2x E27	5,0 kg	brass burnished finish	€ 2.369
ED2COP	L.45xH.50x D.40 cm	2x E27	5,0 kg	copper finish	€ 2.681



## Element

Art.nr.	Dimensions	Light bulb	Weight	Finish	Price
ED3BLM	L.55xH.63x D.35 cm	3x E27	8,0 kg	black matt finish	€ 3.192
ED3WM	L.55xH.63x D.35 cm	3x E27	8,0 kg	white matt finish	€ 3.192
ED3B	L.55xH.63x D.35 cm	3x E27	8,0 kg	bronze finish	€ 3.192
ED3N	L.55xH.63x D.35 cm	3x E27	8,0 kg	nickel finish	€ 3.604
ED3BR	L.55xH.63x D.35 cm	3x E27	8,0 kg	brass finish	€ 3.916
ED3BRA	L.55xH.63x D.35 cm	3x E27	8,0 kg	brass aged finish	€ 3.916
ED3BRBUR	L.55xH.63x D.35 cm	3x E27	8,0 kg	brass burnished finish	€ 3.604
ED3COP	L.55xH.63x D.35 cm	3x E27	8,0 kg	copper finish	€ 3.916

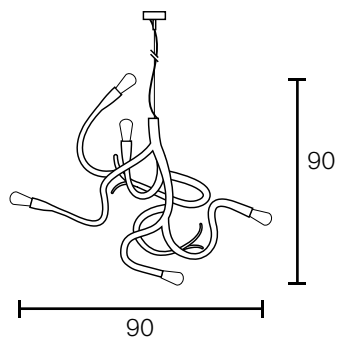
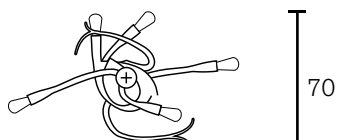


All elements lamps are supplied with 2m electrical cable, 2m steel cable and a ceiling shade.

Specifications and prices are subject to change without prior notice. Prices are exclusive of VAT.

## Element

Art.nr.	Dimensions	Light bulb	Weight	Finish	Price
ED5BLM	L.90xH.90x D.70 cm	5x E27	10,0 kg	black matt finish	€ 4.639
ED5WM	L.90xH.90x D.70 cm	5x E27	10,0 kg	white matt finish	€ 4.639
ED5B	L.90xH.90x D.70 cm	5x E27	10,0 kg	bronze finish	€ 4.639
ED5N	L.90xH.90x D.70 cm	5x E27	10,0 kg	nickel finish	€ 5.050
ED5BR	L.90xH.90x D.70 cm	5x E27	10,0 kg	brass finish	€ 5.361
ED5BRA	L.90xH.90x D.70 cm	5x E27	10,0 kg	brass aged finish	€ 5.361
ED5BRBUR	L.90xH.90x D.70 cm	5x E27	10,0 kg	brass burnished finish	€ 5.050
ED5COP	L.90xH.90x D.70 cm	5x E27	10,0 kg	copper finish	€ 5.361

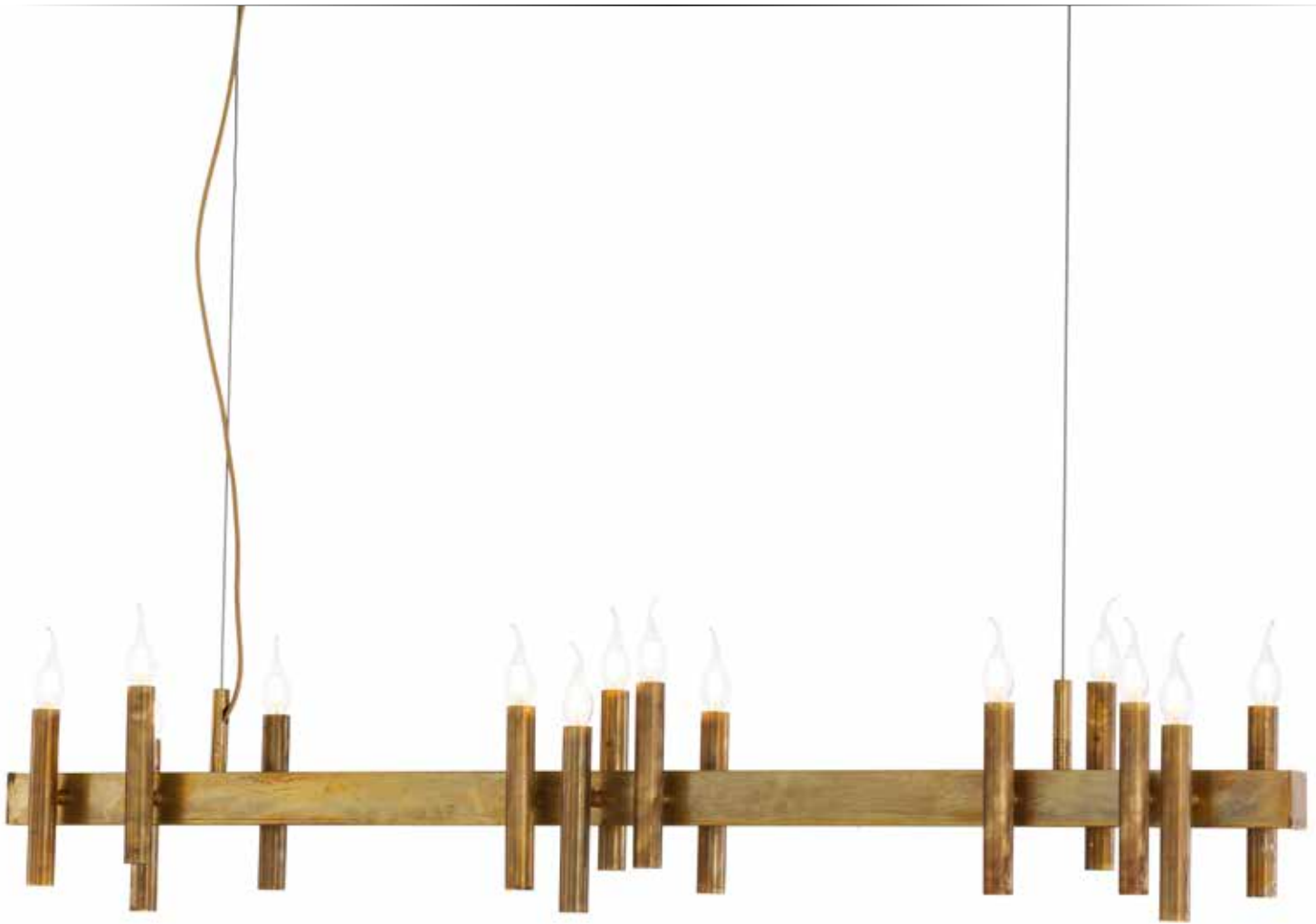


All elements lamps are supplied with 2m electrical cable, 2m steel cable and a ceiling shade.

Specifications and prices are subject to change without prior notice. Prices are exclusive of VAT.

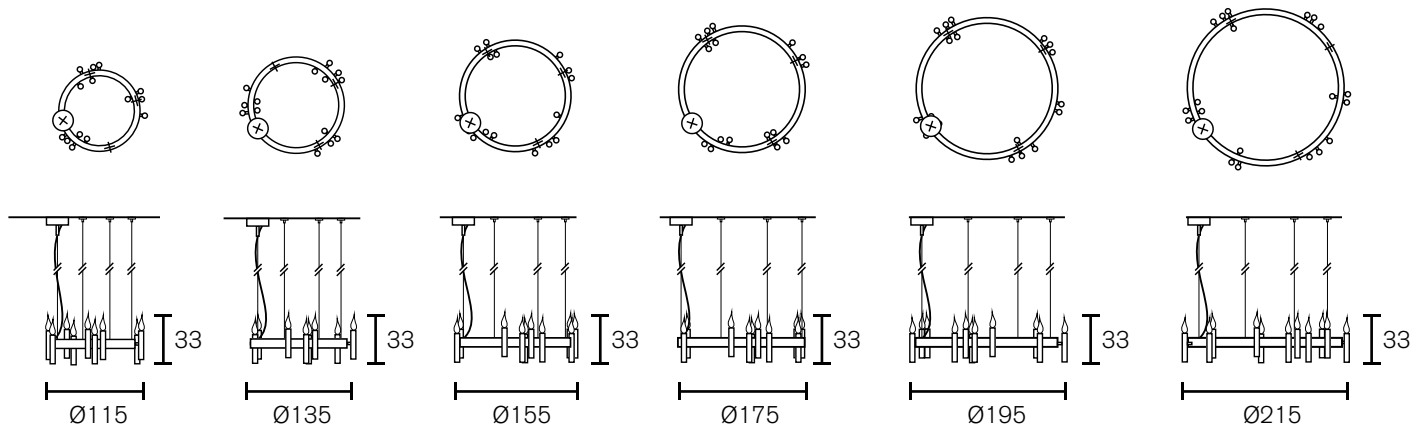


# Collection Shiro 2017



## Suspension Ring

Art.nr.	Dimensions	Light bulb	Weight	Finish	Price
SHSR100BLM	Ø115xH.33 cm	16x E14	23,0 kg	black matt finish	€ 5.611
SHSR100BRBUR	Ø115xH.33 cm	16x E14	23,0 kg	brass burnished finish	€ 6.233
SHSR120BLM	Ø135xH.33 cm	14x E14	28,0 kg	black matt finish	€ 5.984
SHSR120BRBUR	Ø135xH.33 cm	14x E14	28,0 kg	brass burnished finish	€ 6.608
SHSR140BLM	Ø155xH.33 cm	16x E14	35,0 kg	black matt finish	€ 6.358
SHSR140BRBUR	Ø155xH.33 cm	16x E14	35,0 kg	brass burnished finish	€ 6.982
SHSR160BLM	Ø175xH.33 cm	16x E14	50,0 kg	black matt finish	€ 6.732
SHSR160BRBUR	Ø175xH.33 cm	16x E14	50,0 kg	brass burnished finish	€ 7.356
SHSR180BLM	Ø195xH.33 cm	18x E14	75,0 kg	black matt finish	€ 7.107
SHSR180BRBUR	Ø195xH.33 cm	18x E14	75,0 kg	brass burnished finish	€ 7.730
SHSR200BLM	Ø215xH.33 cm	20x E14	100,0 kg	black matt finish	€ 7.481
SHSR200BRBUR	Ø215xH.33 cm	20x E14	100,0 kg	brass burnished finish	€ 8.103

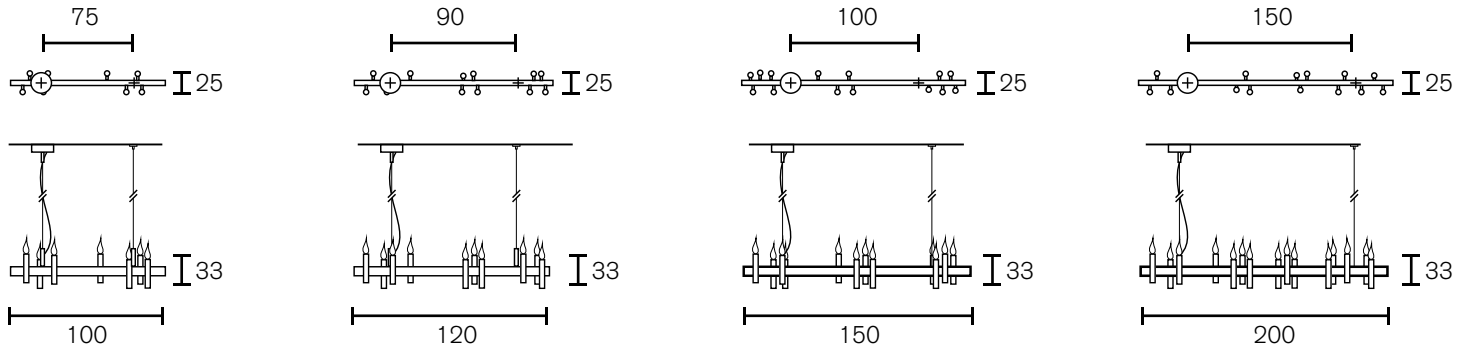


All hanging lamps are supplied with 2m electrical cable, 2m steel cable and a ceiling shade.

Specifications and prices are subject to change without prior notice. Prices are exclusive of VAT.

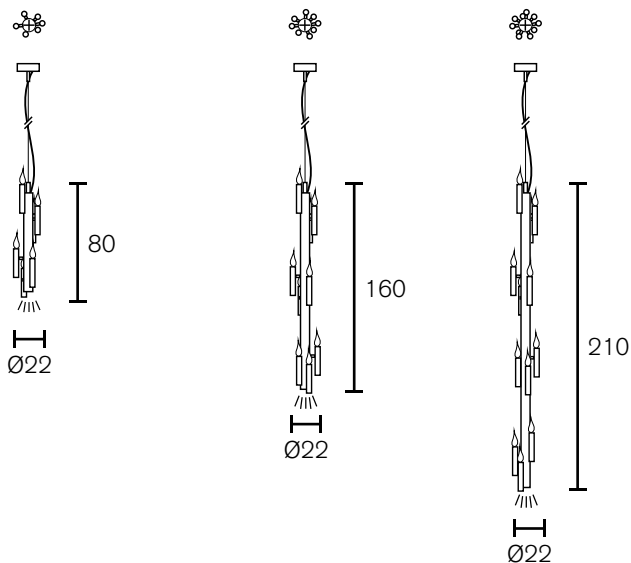
Suspension Horizontal

Art.nr.	Dimensions	Light bulb	Weight	Finish	Price
SHSH100BLM	L.100xW.25xH.33 cm	8x E14	15,0 kg	black matt finish	€ 2.271
SHSH100BRBUR	L.100xW.25xH.33 cm	8x E14	15,0 kg	brass burnished finish	€ 2.476
SHSH120BLM	L.120xW.25xH.33 cm	12x E14	20,0 kg	black matt finish	€ 2.582
SHSH120BRBUR	L.120xW.25xH.33 cm	12x E14	20,0 kg	brass burnished finish	€ 2.781
SHSH150BLM	L.150xW.25xH.33 cm	14x E14	35,0 kg	black matt finish	€ 2.894
SHSH150BRBUR	L.150xW.25xH.33 cm	14x E14	35,0 kg	brass burnished finish	€ 3.093
SHSH200BLM	L.200xW.25xH.33 cm	16x E14	55,0 kg	black matt finish	€ 3.816
SHSH200BRBUR	L.200xW.25xH.33 cm	16x E14	55,0 kg	brass burnished finish	€ 4.114



Suspension Vertical

Art.nr.	Afmetingen	Lichtbron	Gewicht	Finish	Prijs
SHSV70BLM	Ø22xH.80 cm	6x E14	8,0 kg	1x GU10 downlight. black matt finish	€ 2.271
SHSV70BRBUR	Ø22xH.80 cm	6x E14	8,0 kg	1x GU10 downlight. brass burnished finish	€ 2.476
SHSV150BLM	Ø22xH.160 cm	9x E14	18,0 kg	1x GU10 downlight. black matt finish	€ 2.894
SHSV150BRBUR	Ø22xH.160 cm	9x E14	18,0 kg	1x GU10 downlight. brass burnished finish	€ 3.093
SHSV200BLM	Ø22xH.210 cm	12x E14	30,0 kg	1x GU10 downlight. black matt finish	€ 3.816
SHSV200BRBUR	Ø22xH.210 cm	12x E14	30,0 kg	1x GU10 downlight. brass burnished finish	€ 4.114

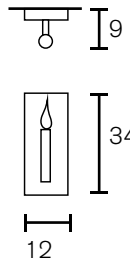


All hanging lamps are supplied with 2m electrical cable, 2m steel cable and a ceiling shade.

Specifications and prices are subject to change without prior notice. Prices are exclusive of VAT.

## Wall lamp

Art.nr.	Dimensions	Light bulb	Weight	Finish	Price
SHW34BRBUR	W.12xH.34xD.9 cm	1x E14	2,0 kg	brass burnished finish	€ 756

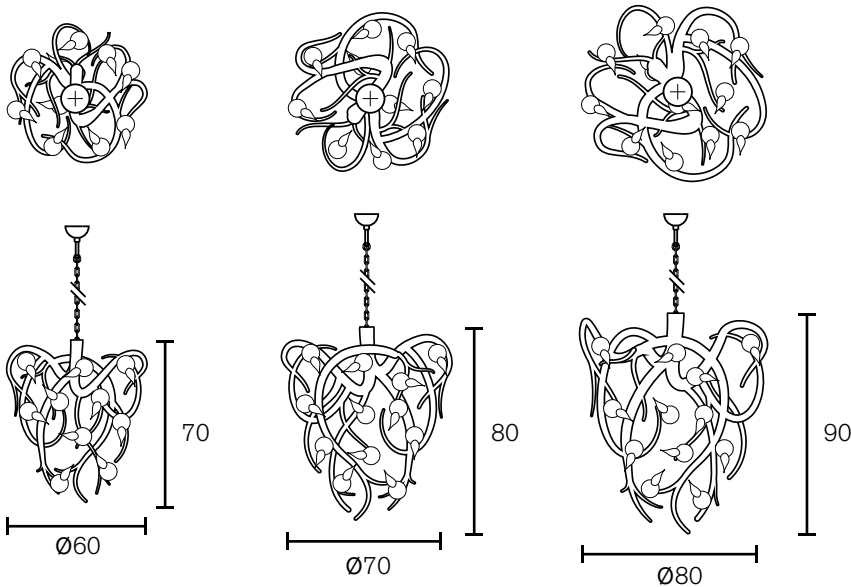


# Collection Eve 2016



## Chandelier Conical

Art.nr.	Dimensions	Light bulb	Weight	Finish	Price
EVECC60BLM	Ø60xH.70 cm	10x E14	14,0 kg	black matt finish	€ 4.211
EVECC60WM	Ø60xH.70 cm	10x E14	14,0 kg	white matt finish	€ 4.211
EVECC60B	Ø60xH.70 cm	10x E14	14,0 kg	bronze finish	€ 4.211
EVECC60N	Ø60xH.70 cm	10x E14	14,0 kg	nickel finish	€ 5.686
EVECC60BR	Ø60xH.70 cm	10x E14	14,0 kg	brass finish	€ 8.211
EVECC60BRBUR	Ø60xH.70 cm	10x E14	14,0 kg	brass burnished finish	€ 7.108
EVECC60COP	Ø60xH.70 cm	10x E14	14,0 kg	copper finish	€ 8.211
EVECC70BLM	Ø70xH.80 cm	12x E14	16,0 kg	black matt finish	€ 4.856
EVECC70WM	Ø70xH.80 cm	12x E14	16,0 kg	white matt finish	€ 4.856
EVECC70B	Ø70xH.80 cm	12x E14	16,0 kg	bronze finish	€ 4.856
EVECC70N	Ø70xH.80 cm	12x E14	16,0 kg	nickel finish	€ 6.285
EVECC70BR	Ø70xH.80 cm	12x E14	16,0 kg	brass finish	€ 9.276
EVECC70BRBUR	Ø70xH.80 cm	12x E14	16,0 kg	brass burnished finish	€ 7.856
EVECC70COP	Ø70xH.80 cm	12x E14	16,0 kg	copper finish	€ 9.276
EVECC80BLM	Ø80xH.90 cm	12x E14	18,0 kg	black matt finish	€ 5.486
EVECC80WM	Ø80xH.90 cm	12x E14	18,0 kg	white matt finish	€ 5.486
EVECC80B	Ø80xH.90 cm	12x E14	18,0 kg	bronze finish	€ 5.486
EVECC80N	Ø80xH.90 cm	12x E14	18,0 kg	nickel finish	€ 6.759
EVECC80BR	Ø80xH.90 cm	12x E14	18,0 kg	brass finish	€ 9.574
EVECC80BRBUR	Ø80xH.90 cm	12x E14	18,0 kg	brass burnished finish	€ 8.450
EVECC80COP	Ø80xH.90 cm	12x E14	18,0 kg	copper finish	€ 9.574

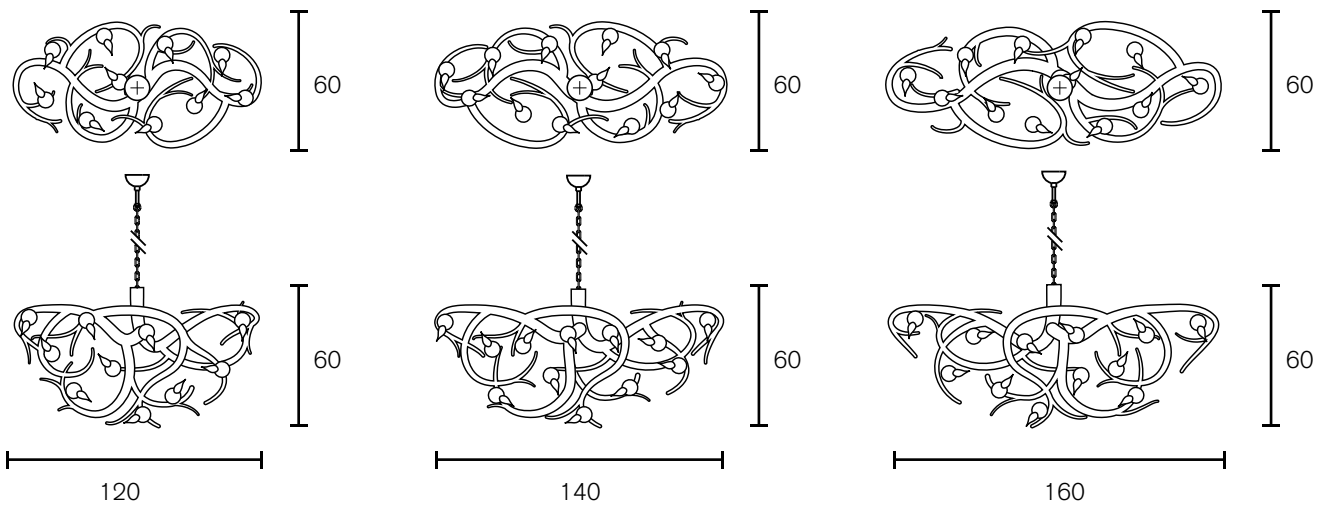


All chandeliers are supplied with 1,7 meter chain, 2 meter electrical cable and a ceiling shade.

Specifications and prices are subject to change without prior notice. Prices are exclusive of VAT.

## Chandelier Oval

Art.nr.	Dimensions	Light bulb	Weight	Finish	Price
EVEOC120BLM	L.120xW.60xH.60 cm	10x E14	14,0 kg	black matt finish	€ 5.237
EVEOC120WM	L.120xW.60xH.60 cm	10x E14	14,0 kg	white matt finish	€ 5.237
EVEOC120B	L.120xW.60xH.60 cm	10x E14	14,0 kg	bronze finish	€ 5.237
EVEOC120N	L.120xW.60xH.60 cm	10x E14	14,0 kg	nickel finish	€ 6.583
EVEOC120BR	L.120xW.60xH.60 cm	10x E14	14,0 kg	brass finish	€ 9.574
EVEOC120BRBUR	L.120xW.60xH.60 cm	10x E14	14,0 kg	brass burnished finish	€ 8.229
EVEOC120COP	L.120xW.60xH.60 cm	10x E14	14,0 kg	copper finish	€ 9.574
EVEOC140BLM	L.140xW.60xH.60 cm	12x E14	16,0 kg	black matt finish	€ 5.690
EVEOC140WM	L.140xW.60xH.60 cm	12x E14	16,0 kg	white matt finish	€ 5.690
EVEOC140B	L.140xW.60xH.60 cm	12x E14	16,0 kg	bronze finish	€ 5.690
EVEOC140N	L.140xW.60xH.60 cm	12x E14	16,0 kg	nickel finish	€ 7.706
EVEOC140BR	L.140xW.60xH.60 cm	12x E14	16,0 kg	brass finish	€ 9.967
EVEOC140BRBUR	L.140xW.60xH.60 cm	12x E14	16,0 kg	brass burnished finish	€ 9.632
EVEOC140COP	L.140xW.60xH.60 cm	12x E14	16,0 kg	copper finish	€ 9.967
EVEOC160BLM	L.160xW.60xH.60 cm	12x E14	18,0 kg	black matt finish	€ 6.138
EVEOC160WM	L.160xW.60xH.60 cm	12x E14	18,0 kg	white matt finish	€ 6.138
EVEOC160B	L.160xW.60xH.60 cm	12x E14	18,0 kg	bronze finish	€ 6.138
EVEOC160N	L.160xW.60xH.60 cm	12x E14	18,0 kg	nickel finish	€ 8.529
EVEOC160BR	L.160xW.60xH.60 cm	12x E14	18,0 kg	brass finish	€ 10.450
EVEOC160BRBUR	L.160xW.60xH.60 cm	12x E14	18,0 kg	brass burnished finish	€ 10.660
EVEOC160COP	L.160xW.60xH.60 cm	12x E14	18,0 kg	copper finish	€ 10.450

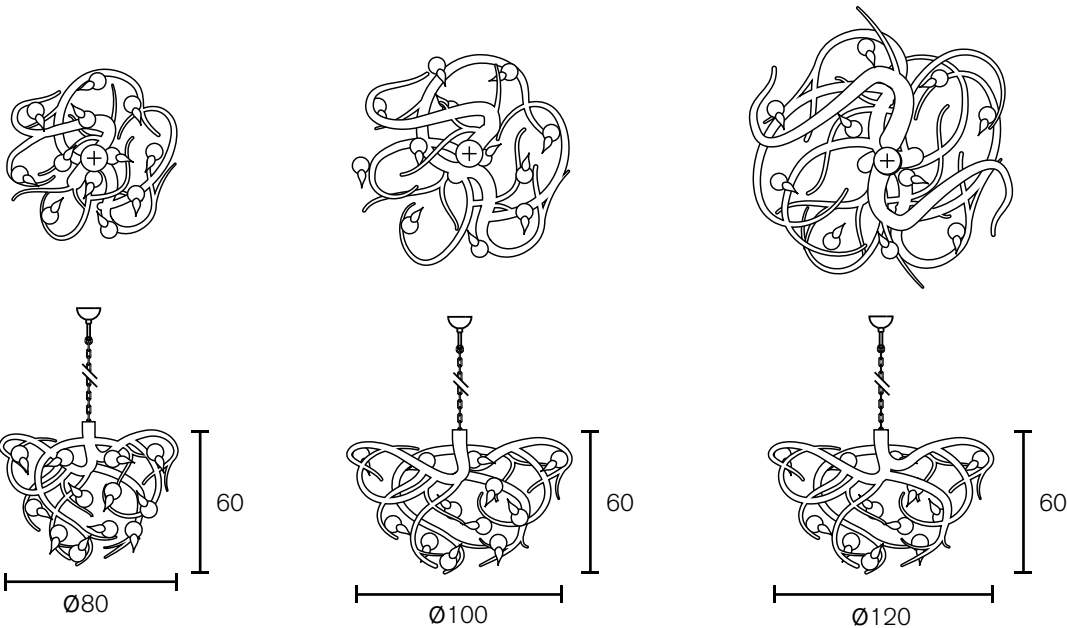


All chandeliers are supplied with 1,7 meter chain, 2 meter electrical cable and a ceiling shade.

Specifications and prices are subject to change without prior notice. Prices are exclusive of VAT.

## Chandelier Round

Art.nr.	Dimensions	Light bulb	Weight	Finish	Price
EVEC80BLM	Ø80xH.60 cm	12x E14	11,0 kg	black matt finish	€ 5.210
EVEC80WM	Ø80xH.60 cm	12x E14	11,0 kg	white matt finish	€ 5.210
EVEC80B	Ø80xH.60 cm	12x E14	11,0 kg	bronze finish	€ 5.210
EVEC80N	Ø80xH.60 cm	12x E14	11,0 kg	nickel finish	€ 7.033
EVEC80BR	Ø80xH.60 cm	12x E14	11,0 kg	brass finish	€ 9.425
EVEC80BRBUR	Ø80xH.60 cm	12x E14	11,0 kg	brass burnished finish	€ 8.791
EVEC80COP	Ø80xH.60 cm	12x E14	11,0 kg	copper finish	€ 9.425
EVEC100BLM	Ø100xH.60 cm	14x E14	13,0 kg	black matt finish	€ 5.498
EVEC100WM	Ø100xH.60 cm	14x E14	13,0 kg	white matt finish	€ 5.498
EVEC100B	Ø100xH.60 cm	14x E14	13,0 kg	bronze finish	€ 5.498
EVEC100N	Ø100xH.60 cm	14x E14	13,0 kg	nickel finish	€ 7.423
EVEC100BR	Ø100xH.60 cm	14x E14	13,0 kg	brass finish	€ 9.798
EVEC100BRBUR	Ø100xH.60 cm	14x E14	13,0 kg	brass burnished finish	€ 9.278
EVEC100COP	Ø100xH.60 cm	14x E14	13,0 kg	copper finish	€ 9.798
EVEC120BLM	Ø120xH.60 cm	16x E14	15,0 kg	black matt finish	€ 5.829
EVEC120WM	Ø120xH.60 cm	16x E14	15,0 kg	white matt finish	€ 5.829
EVEC120B	Ø120xH.60 cm	16x E14	15,0 kg	bronze finish	€ 5.829
EVEC120N	Ø120xH.60 cm	16x E14	15,0 kg	nickel finish	€ 8.079
EVEC120BR	Ø120xH.60 cm	16x E14	15,0 kg	brass finish	€ 10.173
EVEC120BRBUR	Ø120xH.60 cm	16x E14	15,0 kg	brass burnished finish	€ 10.099
EVEC120COP	Ø120xH.60 cm	16x E14	15,0 kg	copper finish	€ 10.173



All chandeliers are supplied with 1,7 meter chain, 2 meter electrical cable and a ceiling shade.

Specifications and prices are subject to change without prior notice. Prices are exclusive of VAT.

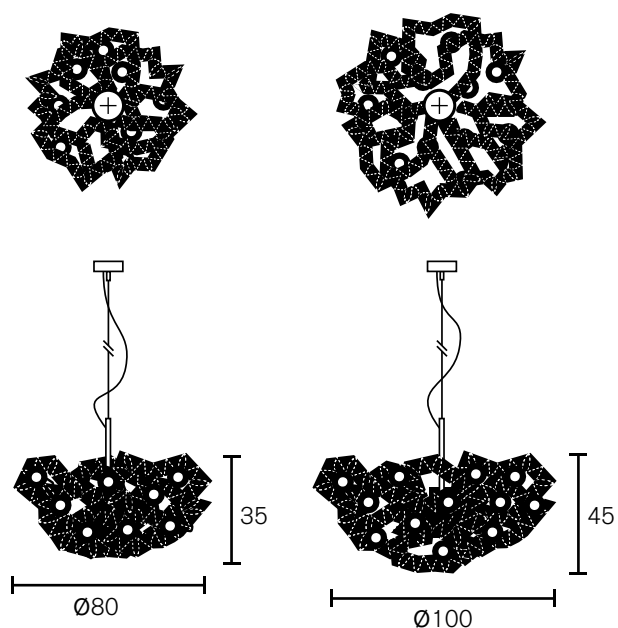


# Collection Fractal 2015



## Chandelier Round

Art.nr.	Dimensions	Light bulb	Weight	Finish	Price
FRACC80BLM	Ø80xH.35 cm	10x E14	19,0 kg	black matt finish	€ 4.880
FRACC80WM	Ø80xH.35 cm	10x E14	19,0 kg	white matt finish	€ 4.880
FRACC80ST	Ø80xH.35 cm	10x E14	19,0 kg	stainless steel	€ 5.486
FRACC80BR	Ø80xH.35 cm	10x E14	19,0 kg	brass finish	€ 6.348
FRACC80BRG	Ø80xH.35 cm	10x E14	19,0 kg	brass grinded finish	€ 5.984
FRACC80BRBUR	Ø80xH.35 cm	10x E14	19,0 kg	brass burnished finish	€ 6.857
FRACC100BLM	Ø100xH.45 cm	12x E14	27,0 kg	black matt finish	€ 5.394
FRACC100WM	Ø100xH.45 cm	12x E14	27,0 kg	white matt finish	€ 5.394
FRACC100ST	Ø100xH.45 cm	12x E14	27,0 kg	stainless steel	€ 5.984
FRACC100BR	Ø100xH.45 cm	12x E14	27,0 kg	brass finish	€ 7.012
FRACC100BRG	Ø100xH.45 cm	12x E14	27,0 kg	brass grinded finish	€ 6.483
FRACC100BRBUR	Ø100xH.45 cm	12x E14	27,0 kg	brass burnished finish	€ 7.481



All hanging lamps are supplied with 2m electrical cable, 2m steel cable and a ceiling shade.

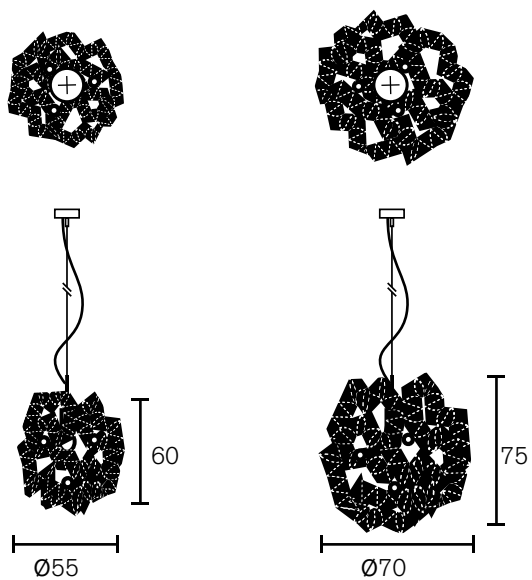
Specifications and prices are subject to change without prior notice. Prices are exclusive of VAT.

# Collection Fractal Cloud 2015



## Hanging Lamp Cloud

Art.nr.	Dimensions	Light bulb	Weight	Finish	Price
FRACHR55BLM	Ø55xH.60 cm	3x E27	13,0 kg	black matt finish	€ 2.890
FRACHR55WM	Ø55xH.60 cm	3x E27	13,0 kg	white matt finish	€ 2.890
FRACHR55ST	Ø55xH.60 cm	3x E27	13,0 kg	stainless steel	€ 3.211
FRACHR55BR	Ø55xH.60 cm	3x E27	13,0 kg	brass finish	€ 3.759
FRACHR55BRG	Ø55xH.60 cm	3x E27	13,0 kg	brass grinded finish	€ 3.533
FRACHR55BRBUR	Ø55xH.60 cm	3x E27	13,0 kg	brass burnished finish	€ 4.015
FRACHR70BLM	Ø70xH.75 cm	3x E27	18,0 kg	black matt finish	€ 3.374
FRACHR70WM	Ø70xH.75 cm	3x E27	18,0 kg	white matt finish	€ 3.374
FRACHR70ST	Ø70xH.75 cm	3x E27	18,0 kg	stainless steel	€ 3.854
FRACHR70BR	Ø70xH.75 cm	3x E27	18,0 kg	brass finish	€ 4.387
FRACHR70BRG	Ø70xH.75 cm	3x E27	18,0 kg	brass grinded finish	€ 4.174
FRACHR70BRBUR	Ø70xH.75 cm	3x E27	18,0 kg	brass burnished finish	€ 4.817



Due to production reasons, the dimensions of the Fractal hanging lamp "Cloud" may vary a couple of centimeters in all directions.  
All hanging lamps are supplied with 2m electrical cable, 2m steel cable and a ceiling shade.

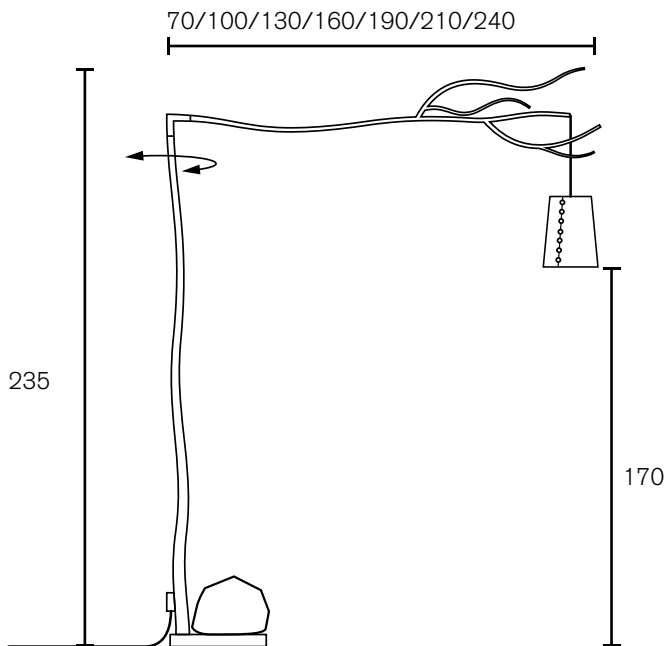
Specifications and prices are subject to change without prior notice. Prices are exclusive of VAT.

# Collection Flintstone 2015

---



Art.nr.	Dimensions	Light bulb	Weight	Finish	Price
FLINTF70BLM	L.70xW.40xH.235 cm	1x E27	40,0 kg	black matt finish	€ 3.029
FLINTF70WM	L.70xW.40xH.235 cm	1x E27	40,0 kg	white matt finish	€ 3.029
FLINTF70N	L.70xW.40xH.235 cm	1x E27	40,0 kg	nickel finish	€ 3.150
FLINTF70BRBUR	L.70xW.40xH.235 cm	1x E27	40,0 kg	brass burnished finish	€ 3.938
FLINTF100BLM	L.100xW.40xH.235 cm	1x E27	40,0 kg	black matt finish	€ 3.150
FLINTF100WM	L.100xW.40xH.235 cm	1x E27	40,0 kg	white matt finish	€ 3.150
FLINTF100N	L.100xW.40xH.235 cm	1x E27	40,0 kg	nickel finish	€ 3.271
FLINTF100BRBUR	L.100xW.40xH.235 cm	1x E27	40,0 kg	brass burnished finish	€ 4.090
FLINTF130BLM	L.130xW.40xH.235 cm	1x E27	40,0 kg	black matt finish	€ 3.271
FLINTF130WM	L.130xW.40xH.235 cm	1x E27	40,0 kg	white matt finish	€ 3.271
FLINTF130N	L.130xW.40xH.235 cm	1x E27	40,0 kg	nickel finish	€ 3.393
FLINTF130BRBUR	L.130xW.40xH.235 cm	1x E27	40,0 kg	brass burnished finish	€ 4.240
FLINTF160BLM	L.160xW.40xH.235 cm	1x E27	40,0 kg	black matt finish	€ 3.393
FLINTF160WM	L.160xW.40xH.235 cm	1x E27	40,0 kg	white matt finish	€ 3.393
FLINTF160N	L.160xW.40xH.235 cm	1x E27	40,0 kg	nickel finish	€ 3.514
FLINTF160BRBUR	L.160xW.40xH.235 cm	1x E27	40,0 kg	brass burnished finish	€ 4.393
FLINTF190BLM	L.190xW.40xH.235 cm	1x E27	40,0 kg	black matt finish	€ 3.514
FLINTF190WM	L.190xW.40xH.235 cm	1x E27	40,0 kg	white matt finish	€ 3.514
FLINTF190N	L.190xW.40xH.235 cm	1x E27	40,0 kg	nickel finish	€ 3.635
FLINTF190BRBUR	L.190xW.40xH.235 cm	1x E27	40,0 kg	brass burnished finish	€ 4.544
FLINTF210BLM	L.210xW.40xH.235 cm	1x E27	40,0 kg	black matt finish	€ 3.635
FLINTF210WM	L.210xW.40xH.235 cm	1x E27	40,0 kg	white matt finish	€ 3.635
FLINTF210N	L.210xW.40xH.235 cm	1x E27	40,0 kg	nickel finish	€ 3.756
FLINTF210BRBUR	L.210xW.40xH.235 cm	1x E27	40,0 kg	brass burnished finish	€ 4.696
FLINTF240BLM	L.240xW.40xH.235 cm	1x E27	40,0 kg	black matt finish	€ 3.756
FLINTF240WM	L.240xW.40xH.235 cm	1x E27	40,0 kg	white matt finish	€ 3.756
FLINTF240N	L.240xW.40xH.235 cm	1x E27	40,0 kg	nickel finish	€ 3.877
FLINTF240BRBUR	L.240xW.40xH.235 cm	1x E27	40,0 kg	brass burnished finish	€ 4.846



All floor lamps are supplied with a dimmer. Height of the lamp shade can be adjusted.

Lamp shade can be in the same colour as the floor lamp without upcharge.

**A unique rock will be included with each Flintstone by Brand van Egmond**

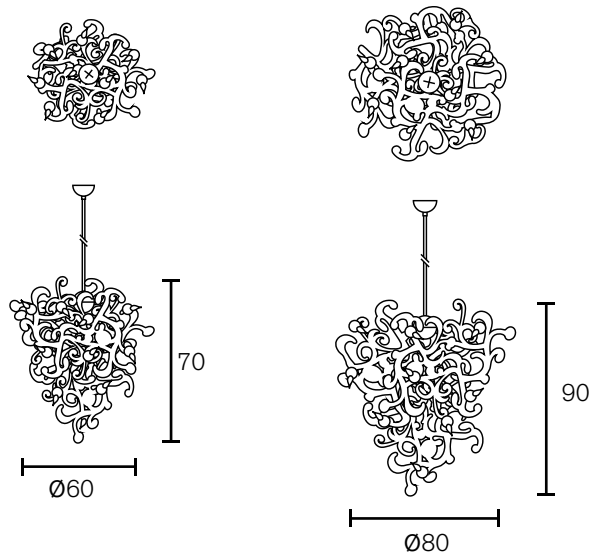
Specifications and prices are subject to change without prior notice. Prices are exclusive of VAT.

# Collection Kelp 2014



## Chandelier Conical

Art.nr.	Dimensions	Light bulb	Weight	Finish	Price
KELPCC60BLM	Ø60xH.70 cm	10x E14	25,0 kg	black matt finish	€ 4.624
KELPCC60WM	Ø60xH.70 cm	10x E14	25,0 kg	white matt finish	€ 4.624
KELPCC60B	Ø60xH.70 cm	10x E14	25,0 kg	bronze finish	€ 4.624
KELPCC60ST	Ø60xH.70 cm	10x E14	25,0 kg	stainless steel	€ 4.880
KELPCC60BR	Ø60xH.70 cm	10x E14	25,0 kg	brass finish	€ 5.394
KELPCC60BRA	Ø60xH.70 cm	10x E14	25,0 kg	brass aged finish	€ 5.394
KELPCC60BRG	Ø60xH.70 cm	10x E14	25,0 kg	brass grinded finish	€ 5.394
KELPCC60BRBUR	Ø60xH.70 cm	10x E14	25,0 kg	brass burnished finish	€ 5.394
KELPCC60COP	Ø60xH.70 cm	10x E14	25,0 kg	copper finish	€ 5.394
KELPCC80BLM	Ø80xH.90 cm	10x E14	30,0 kg	black matt finish	€ 5.010
KELPCC80WM	Ø80xH.90 cm	10x E14	30,0 kg	white matt finish	€ 5.010
KELPCC80B	Ø80xH.90 cm	10x E14	30,0 kg	bronze finish	€ 5.010
KELPCC80ST	Ø80xH.90 cm	10x E14	30,0 kg	stainless steel	€ 5.266
KELPCC80BR	Ø80xH.90 cm	10x E14	30,0 kg	brass finish	€ 5.780
KELPCC80BRA	Ø80xH.90 cm	10x E14	30,0 kg	brass aged finish	€ 5.780
KELPCC80BRG	Ø80xH.90 cm	10x E14	30,0 kg	brass grinded finish	€ 5.780
KELPCC80BRBUR	Ø80xH.90 cm	10x E14	30,0 kg	brass burnished finish	€ 5.780
KELPCC80COP	Ø80xH.90 cm	10x E14	30,0 kg	copper finish	€ 5.780



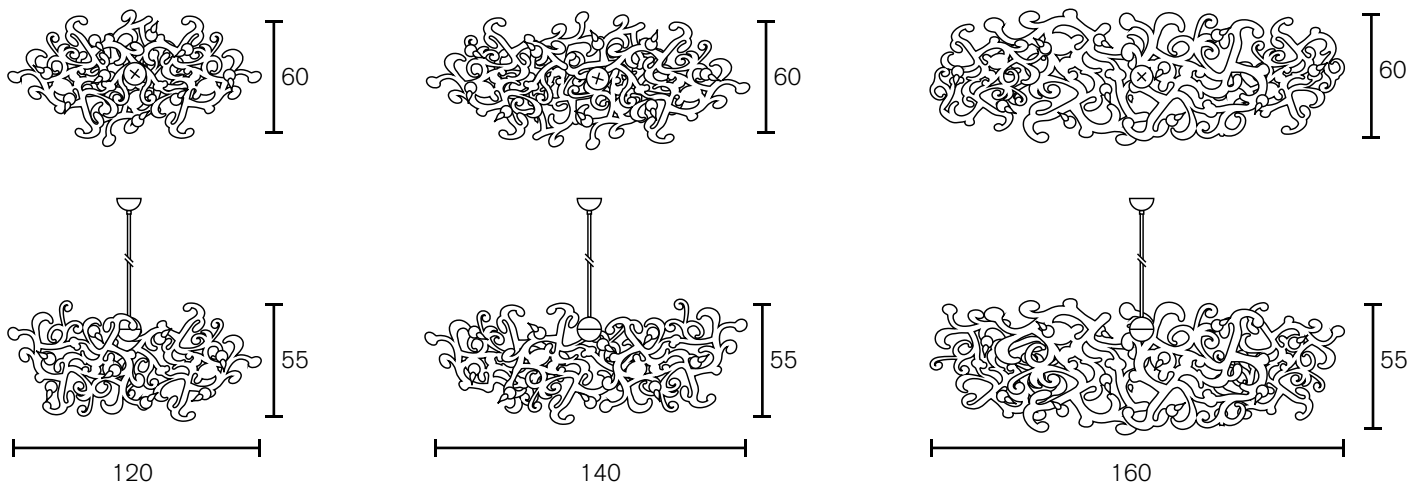
All chandeliers are supplied with 2 meter stem, 2 meter electrical cable and a ceiling shade.

Specifications and prices are subject to change without prior notice. Prices are exclusive of VAT.



## Chandelier Oval

Art.nr.	Dimensions	Light bulb	Weight	Finish	Price
KELPOC120BLM	L.120xW.60xH.55 cm	10x E14	25,0 kg	black matt finish	€ 5.780
KELPOC120WM	L.120xW.60xH.55 cm	10x E14	25,0 kg	white matt finish	€ 5.780
KELPOC120B	L.120xW.60xH.55 cm	10x E14	25,0 kg	bronze finish	€ 5.780
KELPOC120ST	L.120xW.60xH.55 cm	10x E14	25,0 kg	stainless steel	€ 6.421
KELPOC120BR	L.120xW.60xH.55 cm	10x E14	25,0 kg	brass finish	€ 6.935
KELPOC120BRA	L.120xW.60xH.55 cm	10x E14	25,0 kg	brass aged finish	€ 6.935
KELPOC120BRG	L.120xW.60xH.55 cm	10x E14	25,0 kg	brass grinded finish	€ 6.935
KELPOC120BRBUR	L.120xW.60xH.55 cm	10x E14	25,0 kg	brass burnished finish	€ 6.935
KELPOC120COP	L.120xW.60xH.55 cm	10x E14	25,0 kg	copper finish	€ 6.935
KELPOC140BLM	L.140xW.60xH.55 cm	10x E14	30,0 kg	black matt finish	€ 6.292
KELPOC140WM	L.140xW.60xH.55 cm	10x E14	30,0 kg	white matt finish	€ 6.292
KELPOC140B	L.140xW.60xH.55 cm	10x E14	30,0 kg	bronze finish	€ 6.292
KELPOC140ST	L.140xW.60xH.55 cm	10x E14	30,0 kg	stainless steel	€ 6.935
KELPOC140BR	L.140xW.60xH.55 cm	10x E14	30,0 kg	brass finish	€ 7.448
KELPOC140BRA	L.140xW.60xH.55 cm	10x E14	30,0 kg	brass aged finish	€ 7.448
KELPOC140BRG	L.140xW.60xH.55 cm	10x E14	30,0 kg	brass grinded finish	€ 7.448
KELPOC140BRBUR	L.140xW.60xH.55 cm	10x E14	30,0 kg	brass burnished finish	€ 7.448
KELPOC140COP	L.140xW.60xH.55 cm	10x E14	30,0 kg	copper finish	€ 7.448
KELPOC160BLM	L.160xW.60xH.55 cm	10x E14	40,0 kg	black matt finish	€ 6.787
KELPOC160WM	L.160xW.60xH.55 cm	10x E14	40,0 kg	white matt finish	€ 6.787
KELPOC160B	L.160xW.60xH.55 cm	10x E14	40,0 kg	bronze finish	€ 6.787
KELPOC160ST	L.160xW.60xH.55 cm	10x E14	40,0 kg	stainless steel	€ 7.192
KELPOC160BR	L.160xW.60xH.55 cm	10x E14	40,0 kg	brass finish	€ 7.577
KELPOC160BRA	L.160xW.60xH.55 cm	10x E14	40,0 kg	brass aged finish	€ 7.577
KELPOC160BRG	L.160xW.60xH.55 cm	10x E14	40,0 kg	brass grinded finish	€ 7.577
KELPOC160BRBUR	L.160xW.60xH.55 cm	10x E14	40,0 kg	brass burnished finish	€ 7.577
KELPOC160COP	L.160xW.60xH.55 cm	10x E14	40,0 kg	copper finish	€ 7.577

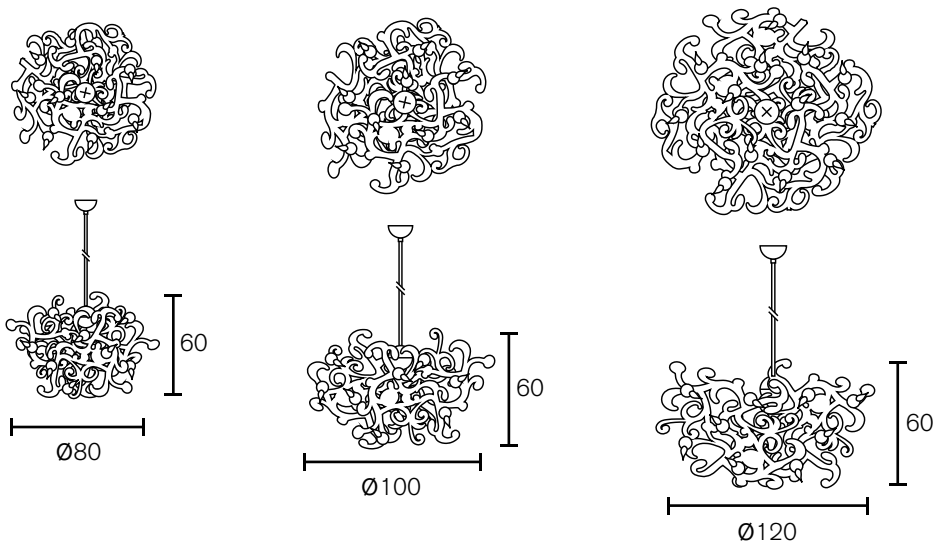


All chandeliers are supplied with 2 meter stem, 2 meter electrical cable and a ceiling shade.

Specifications and prices are subject to change without prior notice. Prices are exclusive of VAT.

## Chandelier Round

Art.nr.	Dimensions	Light bulb	Weight	Finish	Price
KELPC80BLM	Ø80xH.60 cm	10x E14	25,0 kg	black matt finish	€ 6.421
KELPC80WM	Ø80xH.60 cm	10x E14	25,0 kg	white matt finish	€ 6.421
KELPC80B	Ø80xH.60 cm	10x E14	25,0 kg	bronze finish	€ 6.421
KELPC80ST	Ø80xH.60 cm	10x E14	25,0 kg	stainless steel	€ 6.997
KELPC80BR	Ø80xH.60 cm	10x E14	25,0 kg	brass finish	€ 7.192
KELPC80BRA	Ø80xH.60 cm	10x E14	25,0 kg	brass aged finish	€ 7.192
KELPC80BRG	Ø80xH.60 cm	10x E14	25,0 kg	brass grinded finish	€ 7.192
KELPC80BRBUR	Ø80xH.60 cm	10x E14	25,0 kg	brass burnished finish	€ 7.192
KELPC80COP	Ø80xH.60 cm	10x E14	25,0 kg	copper finish	€ 7.192
KELPC100BLM	Ø100xH.60 cm	10x E14	30,0 kg	black matt finish	€ 7.063
KELPC100WM	Ø100xH.60 cm	10x E14	30,0 kg	white matt finish	€ 7.063
KELPC100B	Ø100xH.60 cm	10x E14	30,0 kg	bronze finish	€ 7.063
KELPC100ST	Ø100xH.60 cm	10x E14	30,0 kg	stainless steel	€ 7.448
KELPC100BR	Ø100xH.60 cm	10x E14	30,0 kg	brass finish	€ 7.833
KELPC100BRA	Ø100xH.60 cm	10x E14	30,0 kg	brass aged finish	€ 7.833
KELPC100BRG	Ø100xH.60 cm	10x E14	30,0 kg	brass grinded finish	€ 7.833
KELPC100BRBUR	Ø100xH.60 cm	10x E14	30,0 kg	brass burnished finish	€ 7.833
KELPC100COP	Ø100xH.60 cm	10x E14	30,0 kg	copper finish	€ 7.833
KELPC120BLM	Ø120xH.60 cm	10x E14	40,0 kg	black matt finish	€ 7.169
KELPC120WM	Ø120xH.60 cm	10x E14	40,0 kg	white matt finish	€ 7.169
KELPC120B	Ø120xH.60 cm	10x E14	40,0 kg	bronze finish	€ 7.169
KELPC120ST	Ø120xH.60 cm	10x E14	40,0 kg	stainless steel	€ 7.705
KELPC120BR	Ø120xH.60 cm	10x E14	40,0 kg	brass finish	€ 8.219
KELPC120BRA	Ø120xH.60 cm	10x E14	40,0 kg	brass aged finish	€ 8.219
KELPC120BRG	Ø120xH.60 cm	10x E14	40,0 kg	brass grinded finish	€ 8.219
KELPC120BRBUR	Ø120xH.60 cm	10x E14	40,0 kg	brass burnished finish	€ 8.219
KELPC120COP	Ø120xH.60 cm	10x E14	40,0 kg	copper finish	€ 8.219

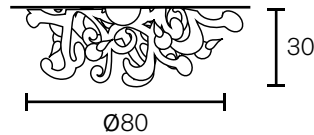
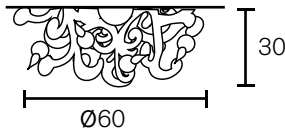
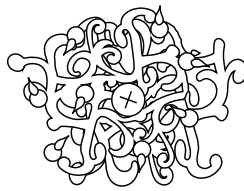
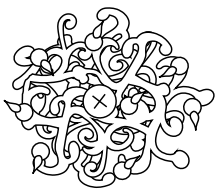


All chandeliers are supplied with 2 meter stem, 2 meter electrical cable and a ceiling shade.

Specifications and prices are subject to change without prior notice. Prices are exclusive of VAT.

## Ceiling Lamp Round

Art.nr.	Dimensions	Light bulb	Weight	Finish	Price
KELPP60BLM	Ø60xH.30 cm	6x E14	13,0 kg	black matt finish	€ 2.826
KELPP60WM	Ø60xH.30 cm	6x E14	13,0 kg	white matt finish	€ 2.826
KELPP60B	Ø60xH.30 cm	6x E14	13,0 kg	bronze finish	€ 2.826
KELPP60ST	Ø60xH.30 cm	6x E14	13,0 kg	stainless steel	€ 3.211
KELPP60BR	Ø60xH.30 cm	6x E14	13,0 kg	brass finish	€ 3.597
KELPP60BRA	Ø60xH.30 cm	6x E14	13,0 kg	brass aged finish	€ 3.597
KELPP60BRG	Ø60xH.30 cm	6x E14	13,0 kg	brass grinded finish	€ 3.597
KELPP60BRBUR	Ø60xH.30 cm	6x E14	13,0 kg	brass burnished finish	€ 3.597
KELPP60COP	Ø60xH.30 cm	6x E14	13,0 kg	copper finish	€ 3.597
KELPP80BLM	Ø80xH.30 cm	6x E14	15,0 kg	black matt finish	€ 3.083
KELPP80WM	Ø80xH.30 cm	6x E14	15,0 kg	white matt finish	€ 3.083
KELPP80B	Ø80xH.30 cm	6x E14	15,0 kg	bronze finish	€ 3.083
KELPP80ST	Ø80xH.30 cm	6x E14	15,0 kg	stainless steel	€ 3.468
KELPP80BR	Ø80xH.30 cm	6x E14	15,0 kg	brass finish	€ 3.854
KELPP80BRA	Ø80xH.30 cm	6x E14	15,0 kg	brass aged finish	€ 3.854
KELPP80BRG	Ø80xH.30 cm	6x E14	15,0 kg	brass grinded finish	€ 3.854
KELPP80BRBUR	Ø80xH.30 cm	6x E14	15,0 kg	brass burnished finish	€ 3.854
KELPP80COP	Ø80xH.30 cm	6x E14	15,0 kg	copper finish	€ 3.854

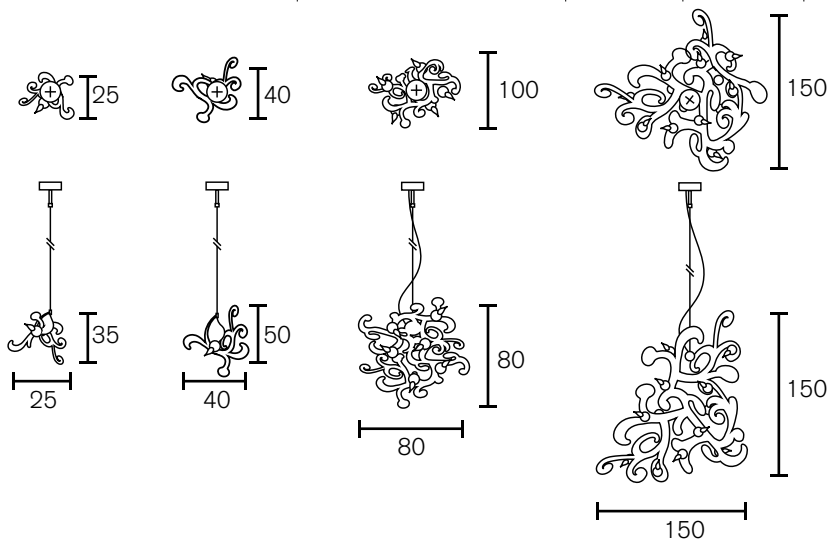




**KELP CEILING LAMP ROUND KELPP80BRG**

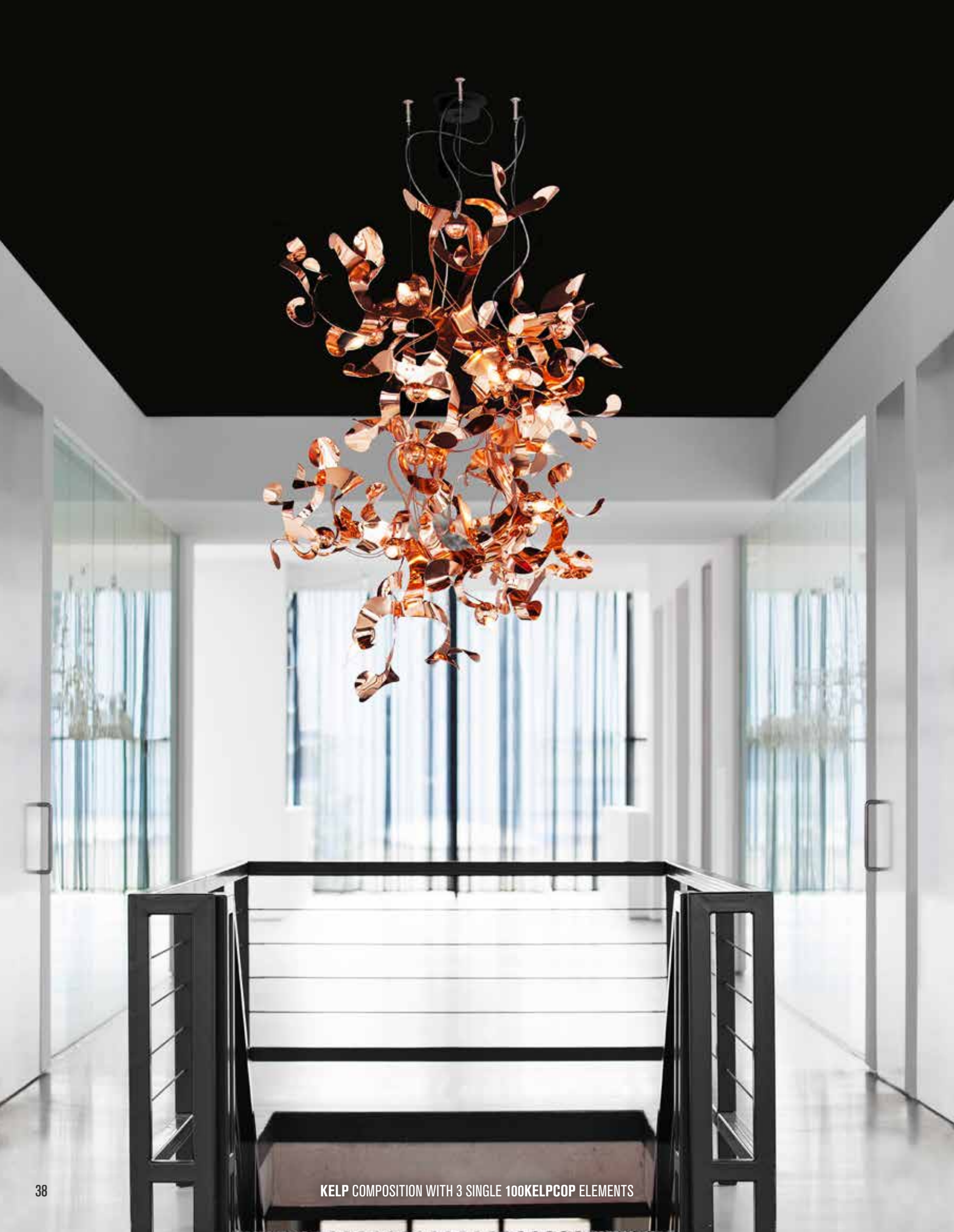


Art.nr.	Dimensions	Light bulb	Weight	Finish	Price
25KELPBLM	L.25xW.25xH.35 cm	1x E14	1,5 kg	black matt finish	€ 1.094
25KELPWM	L.25xW.25xH.35 cm	1x E14	1,5 kg	white matt finish	€ 1.094
25KELPB	L.25xW.25xH.35 cm	1x E14	1,5 kg	bronze finish	€ 1.094
25KELPST	L.25xW.25xH.35 cm	1x E14	1,5 kg	stainless steel	€ 1.222
25KELPBR	L.25xW.25xH.35 cm	1x E14	1,5 kg	brass finish	€ 1.478
25KELPBRA	L.25xW.25xH.35 cm	1x E14	1,5 kg	brass aged finish	€ 1.478
25KELPBRG	L.25xW.25xH.35 cm	1x E14	1,5 kg	brass grinded finish	€ 1.478
25KELPBRBUR	L.25xW.25xH.35 cm	1x E14	1,5 kg	brass burnished finish	€ 1.527
25KELPCOP	L.25xW.25xH.35 cm	1x E14	1,5 kg	copper finish	€ 1.478
50KELPBLM	L.40xW.40xH.50 cm	1x E14	2,0 kg	black matt finish	€ 1.222
50KELPWM	L.40xW.40xH.50 cm	1x E14	2,0 kg	white matt finish	€ 1.222
50KELPB	L.40xW.40xH.50 cm	1x E14	2,0 kg	bronze finish	€ 1.222
50KELPST	L.40xW.40xH.50 cm	1x E14	2,0 kg	stainless steel	€ 1.350
50KELPBR	L.40xW.40xH.50 cm	1x E14	2,0 kg	brass finish	€ 1.606
50KELPBRA	L.40xW.40xH.50 cm	1x E14	2,0 kg	brass aged finish	€ 1.606
50KELPBRG	L.40xW.40xH.50 cm	1x E14	2,0 kg	brass grinded finish	€ 1.606
50KELPBRBUR	L.40xW.40xH.50 cm	1x E14	2,0 kg	brass burnished finish	€ 1.848
50KELPCOP	L.40xW.40xH.50 cm	1x E14	2,0 kg	copper finish	€ 1.606
100KELPBLM	L.80xW.100xH.80 cm	5x E14	15,0 kg	black matt finish	€ 3.168
100KELPWM	L.80xW.100xH.80 cm	5x E14	15,0 kg	white matt finish	€ 3.168
100KELPB	L.80xW.100xH.80 cm	5x E14	15,0 kg	bronze finish	€ 3.168
100KELPST	L.80xW.100xH.80 cm	5x E14	15,0 kg	stainless steel	€ 3.527
100KELPBR	L.80xW.100xH.80 cm	5x E14	15,0 kg	brass finish	€ 3.785
100KELPBRA	L.80xW.100xH.80 cm	5x E14	15,0 kg	brass aged finish	€ 3.785
100KELPBRG	L.80xW.100xH.80 cm	5x E14	15,0 kg	brass grinded finish	€ 3.785
100KELPBRBUR	L.80xW.100xH.80 cm	5x E14	15,0 kg	brass burnished finish	€ 4.409
100KELPCOP	L.80xW.100xH.80 cm	5x E14	15,0 kg	copper finish	€ 3.785
150KELPBLM	L.150xW.150xH.150 cm	10x E14	25,0 kg	black matt finish	€ 5.780
150KELPWM	L.150xW.150xH.150 cm	10x E14	25,0 kg	white matt finish	€ 5.780
150KELPB	L.150xW.150xH.150 cm	10x E14	25,0 kg	bronze finish	€ 5.780
150KELPST	L.150xW.150xH.150 cm	10x E14	25,0 kg	stainless steel	€ 6.107
150KELPBR	L.150xW.150xH.150 cm	10x E14	25,0 kg	brass finish	€ 6.935
150KELPBRA	L.150xW.150xH.150 cm	10x E14	25,0 kg	brass aged finish	€ 6.935
150KELPBRG	L.150xW.150xH.150 cm	10x E14	25,0 kg	brass grinded finish	€ 6.935
150KELPBRBUR	L.150xW.150xH.150 cm	10x E14	25,0 kg	brass burnished finish	€ 7.633
150KELPCOP	L.150xW.150xH.150 cm	10x E14	25,0 kg	copper finish	€ 6.935



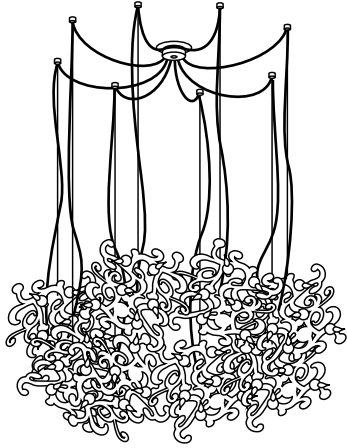
All Kelp elements are supplied with 2 m electrical cable, 2 meter steel cable and a ceiling shade. 25KELP and 50KELP are hanging on an electrical cable only.

Specifications and prices are subject to change without prior notice. Prices are exclusive of VAT.

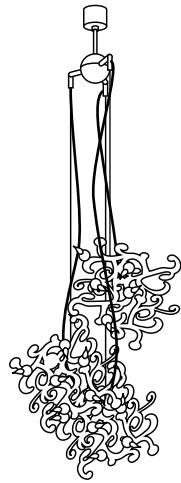


The Kelp collection offers the possibility to combine several objects into a composition.  
Use a single piece, hang them in line or use the possibility to adjust the height to create a chandelier.

Central cover



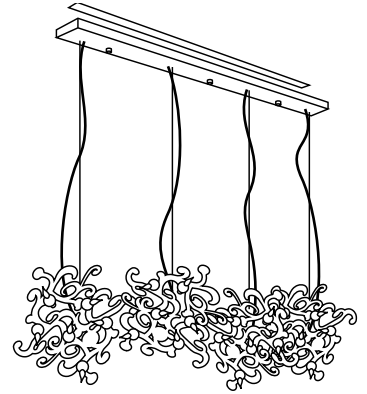
Satellite



Disc



Ceiling Cover in line



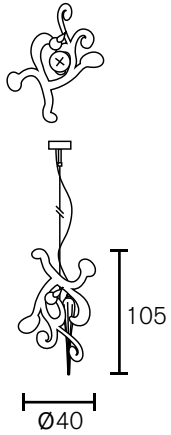


# Collection Kelp Fortuna 2017



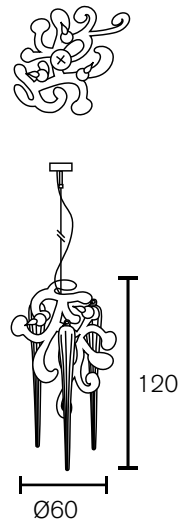
## Element

Art.nr.	Dimensions	Light bulb	Weight	Finish	Price
KEF40BLM	Ø40xH.105 cm	1x E27	14,0 kg	black matt finish	€ 1.547
KEF40WM	Ø40xH.105 cm	1x E27	14,0 kg	white matt finish	€ 1.547
KEF40B	Ø40xH.105 cm	1x E27	14,0 kg	bronze finish	€ 1.547
KEF40ST	Ø40xH.105 cm	1x E27	14,0 kg	stainless steel	€ 1.747
KEF40BR	Ø40xH.105 cm	1x E27	14,0 kg	brass finish	€ 1.859
KEF40BRA	Ø40xH.105 cm	1x E27	14,0 kg	brass aged finish	€ 1.859
KEF40BRG	Ø40xH.105 cm	1x E27	14,0 kg	brass grinded finish	€ 1.859
KEF40BRBUR	Ø40xH.105 cm	1x E27	14,0 kg	brass burnished finish	€ 1.859
KEF40COP	Ø40xH.105 cm	1x E27	14,0 kg	copper finish	€ 1.859



## Element

Art.nr.	Dimensions	Light bulb	Weight	Finish	Price
KEF60BLM	Ø60xH.120 cm	3x E27	25,0 kg	black matt finish	€ 3.916
KEF60WM	Ø60xH.120 cm	3x E27	25,0 kg	white matt finish	€ 3.916
KEF60B	Ø60xH.120 cm	3x E27	25,0 kg	bronze finish	€ 3.916
KEF60ST	Ø60xH.120 cm	3x E27	25,0 kg	stainless steel	€ 4.328
KEF60BR	Ø60xH.120 cm	3x E27	25,0 kg	brass finish	€ 4.738
KEF60BRA	Ø60xH.120 cm	3x E27	25,0 kg	brass aged finish	€ 4.738
KEF60BRG	Ø60xH.120 cm	3x E27	25,0 kg	brass grinded finish	€ 4.738
KEF60BRBUR	Ø60xH.120 cm	3x E27	25,0 kg	brass burnished finish	€ 4.738
KEF60COP	Ø60xH.120 cm	3x E27	25,0 kg	copper finish	€ 4.738

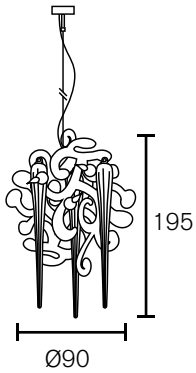


All hanging lamps are supplied with 2 meter electrical cable, 2 meter steel cable and a ceiling shade.

Specifications and prices are subject to change without prior notice. Prices are exclusive of VAT.

## Element

Art.nr.	Dimensions	Light bulb	Weight	Finish	Price
KEF90BLM	Ø90xH.195 cm	3x E27	35,0 kg	black matt finish	€ 6.384
KEF90WM	Ø90xH.195 cm	3x E27	35,0 kg	white matt finish	€ 6.384
KEF90B	Ø90xH.195 cm	3x E27	35,0 kg	bronze finish	€ 6.384
KEF90ST	Ø90xH.195 cm	3x E27	35,0 kg	stainless steel	€ 6.795
KEF90BR	Ø90xH.195 cm	3x E27	35,0 kg	brass finish	€ 7.418
KEF90BRA	Ø90xH.195 cm	3x E27	35,0 kg	brass aged finish	€ 7.418
KEF90BRG	Ø90xH.195 cm	3x E27	35,0 kg	brass grinded finish	€ 7.418
KEF90BRBUR	Ø90xH.195 cm	3x E27	35,0 kg	brass burnished finish	€ 7.418
KEF90COP	Ø90xH.195 cm	3x E27	35,0 kg	copper finish	€ 7.418



All hanging lamps are supplied with 2 meter electrical cable, 2 meter steel cable and a ceiling shade.

Specifications and prices are subject to change without prior notice. Prices are exclusive of VAT.



KELP FORTUNA ELEMENT KEF40ST

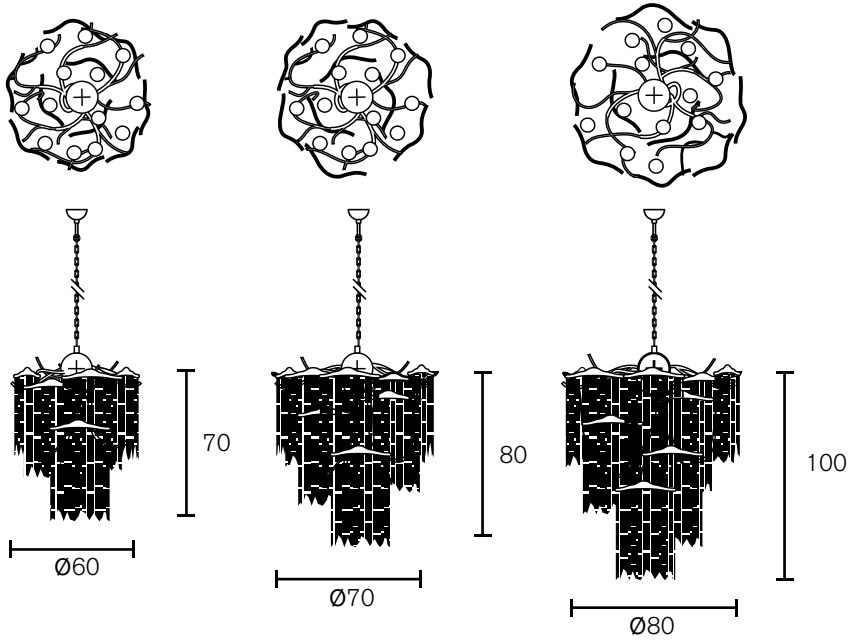
# Collection Arthur 2014

---



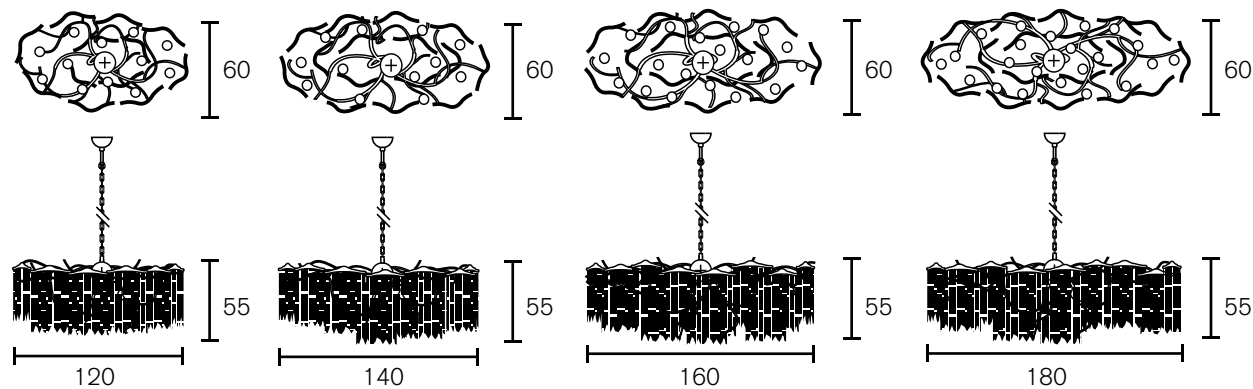
Chandelier Conical

Art.nr.	Dimensions	Light bulb	Weight	Finish	Price
ARCC60N	Ø60xH.70 cm	10x E14	30,0 kg	nickel finish	€ 6.605
ARCC70N	Ø70xH.80 cm	12x E14	35,0 kg	nickel finish	€ 7.224
ARCC80N	Ø80xH.100 cm	14x E14	40,0 kg	nickel finish	€ 8.050



Chandelier Oval

Art.nr.	Dimensions	Light bulb	Weight	Finish	Price
AROC120N	L.120xW.60xH.55 cm	12x E14	35,0 kg	nickel finish	€ 7.224
AROC140N	L.140xW.60xH.55 cm	12x E14	36,0 kg	nickel finish	€ 7.682
AROC160N	L.160xW.60xH.55 cm	16x E14	45,0 kg	nickel finish	€ 8.050
AROC180N	L.180xW.60xH.55 cm	16x E14	47,0 kg	nickel finish	€ 8.461

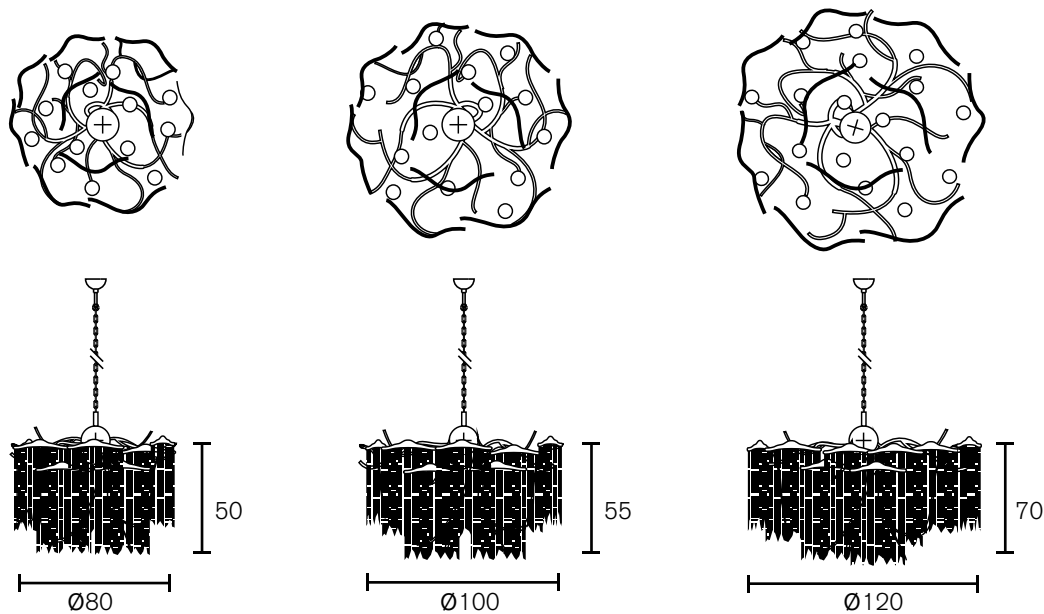


All chandeliers are supplied with 1,7 meter chain, 2 meter electrical cable and a ceiling shade.

Specifications and prices are subject to change without prior notice. Prices are exclusive of VAT.

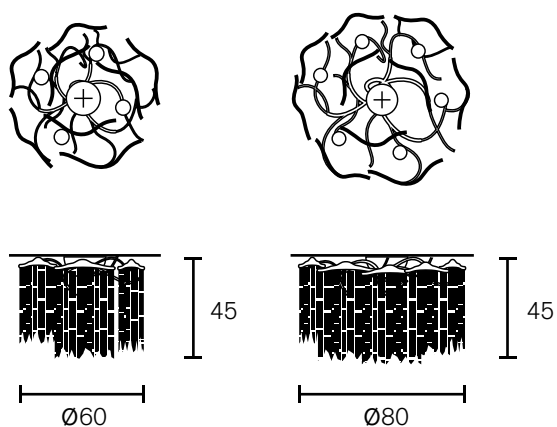
Chandelier Round

Art.nr.	Dimensions	Light bulb	Weight	Finish	Price
ARC80N	Ø80xH.50 cm	12x E14	30,0 kg	nickel finish	€ 8.050
ARC100N	Ø100xH.55 cm	14x E14	40,0 kg	nickel finish	€ 8.667
ARC120N	Ø120xH.70 cm	16x E14	60,0 kg	nickel finish	€ 9.904



Ceiling Lamp Round

Art.nr.	Dimensions	Light bulb	Weight	Finish	Price
ARP60N	Ø60xH.45 cm	4x E14	25,0 kg	nickel finish	€ 4.336
ARP80N	Ø80xH.45 cm	6x E14	27,0 kg	nickel finish	€ 5.057

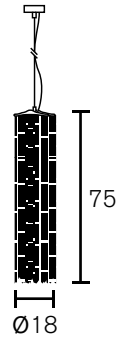


All chandeliers are supplied with 1,7 meter chain, 2 meter electrical cable and a ceiling shade.

Specifications and prices are subject to change without prior notice. Prices are exclusive of VAT.

Hanging Lamp

Art.nr.	Dimensions	Light bulb	Weight	Finish	Price
AR18N	Ø18xH.75 cm	3x E14	10,0 kg	nickel finish	€ 2.244



Floor Lamp

Art.nr.	Dimensions	Light bulb	Weight	Finish	Price
ARF190N	Ø30xH.190 cm	5x E14	32,0 kg	nickel finish	€ 4.749

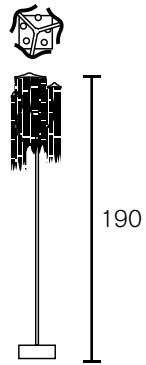
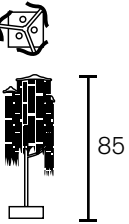


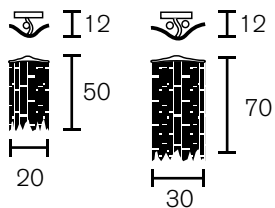
Table Lamp

Art.nr.	Dimensions	Light bulb	Weight	Finish	Price
ART30N	Ø30xH.85 cm	3x E14	17,0 kg	nickel finish	€ 2.684



Wall Lamp

Art.nr.	Dimensions	Light bulb	Weight	Finish	Price
ARW50N	W.20xH.50xD.12 cm	1x E14	7,0 kg	nickel finish	€ 1.243
ARW70N	W.30xH.70xD.12 cm	2x E14	10,0 kg	nickel finish	€ 1.653



All hanging lamps are supplied with 2m electrical cable, 2m steel cable and a ceiling shade. All floor- and table lamps are supplied with a dimmer.

Specifications and prices are subject to change without prior notice. Prices are exclusive of VAT.

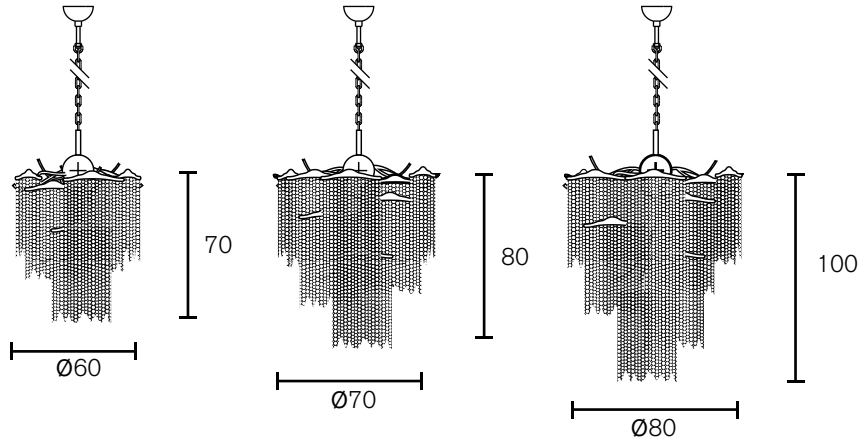


# Collection Victoria 2014



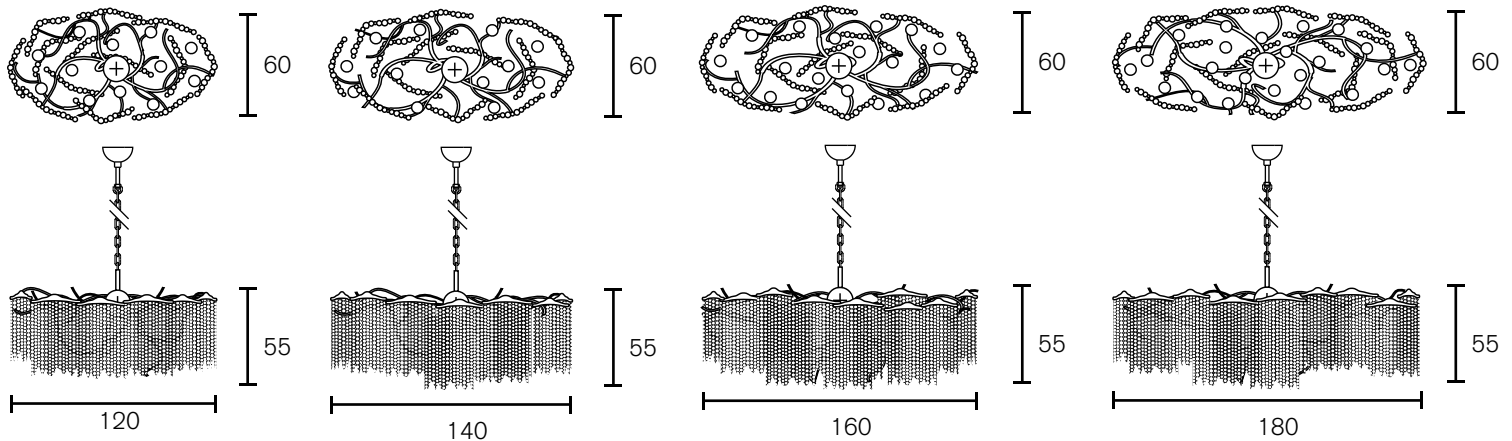
Chandelier Conical

Art.nr.	Dimensions	Light bulb	Weight	Finish	Price
VCC60N	Ø60xH.70 cm	10x E14	24,0 kg	nickel finish	€ 6.605
VCC70N	Ø70xH.80 cm	12x E14	28,0 kg	nickel finish	€ 7.224
VCC80N	Ø80xH.100 cm	14x E14	30,0 kg	nickel finish	€ 8.050



Chandelier Oval

Art.nr.	Dimensions	Light bulb	Weight	Finish	Price
VOC120N	L.120xW.60xH.55 cm	12x E14	22,0 kg	nickel finish	€ 7.224
VOC140N	L.140xW.60xH.55 cm	12x E14	26,0 kg	nickel finish	€ 7.682
VOC160N	L.160xW.60xH.55 cm	16x E14	30,0 kg	nickel finish	€ 8.050
VOC180N	L.180xW.60xH.55 cm	16x E14	36,0 kg	nickel finish	€ 8.461

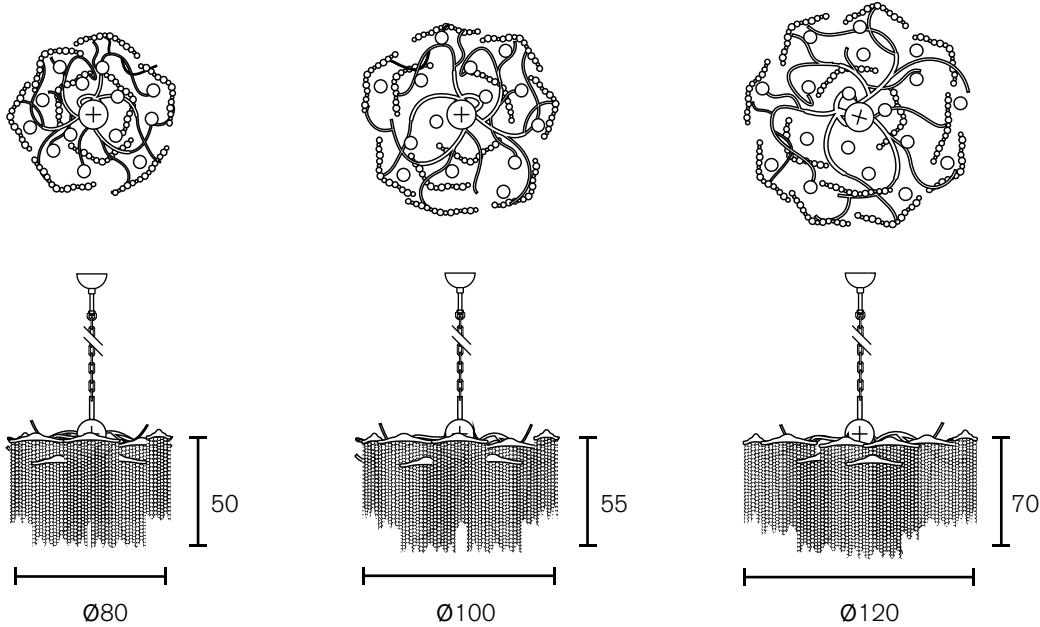


All chandeliers are supplied with 1,7 meter chain, 2 meter electrical cable and a ceiling shade.

Specifications and prices are subject to change without prior notice. Prices are exclusive of VAT.

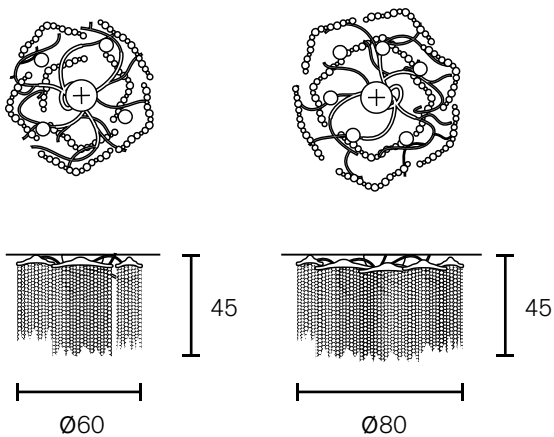
Chandelier Round

Art.nr.	Dimensions	Light bulb	Weight	Finish	Price
VC80N	Ø80xH.50 cm	12x E14	25,0 kg	nickel finish	€ 8.050
VC100N	Ø100xH.55 cm	14x E14	29,0 kg	nickel finish	€ 8.667
VC120N	Ø120xH.70 cm	16x E14	32,0 kg	nickel finish	€ 9.904



Ceiling Lamp Round

Art.nr.	Dimensions	Light bulb	Weight	Finish	Price
VP60N	Ø60xH.45 cm	4x E14	13,0 kg	nickel finish	€ 4.336
VP80N	Ø80xH.45 cm	6x E14	20,0 kg	nickel finish	€ 5.057

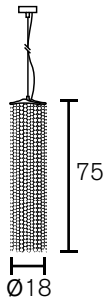


All chandeliers are supplied with 1,7 meter chain, 2 meter electrical cable and a ceiling shade.

Specifications and prices are subject to change without prior notice. Prices are exclusive of VAT.

Hanging Lamp

Art.nr.	Dimensions	Light bulb	Weight	Finish	Price
VC18N	Ø18xH.75 cm	3x E14	7,0 kg	nickel finish	€ 2.244



Floor Lamp

Art.nr.	Dimensions	Light bulb	Weight	Finish	Price
VF190N	Ø30xH.190 cm	5x E14	27,0 kg	nickel finish	€ 4.749

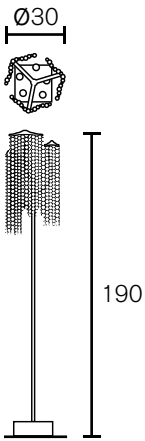
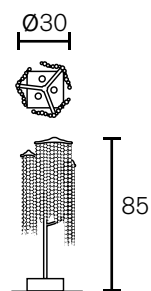


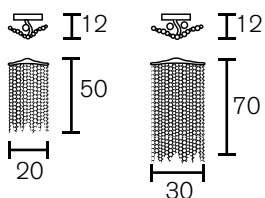
Table Lamp

Art.nr.	Dimensions	Light bulb	Weight	Finish	Price
VT30N	Ø30xH.85 cm	3x E14	12,0 kg	nickel finish	€ 2.684



Wall Lamp

Art.nr.	Dimensions	Light bulb	Weight	Finish	Price
VW50N	W.20xH.50xD.12 cm	1x E14	5,0 kg	nickel finish	€ 1.243
VW70N	W.30xH.70xD.12 cm	2x E14	8,0 kg	nickel finish	€ 1.653



All hanging lamps are supplied with 2m electrical cable, 2m steel cable and a ceiling shade. All floor- and table lamps are supplied with a dimmer.

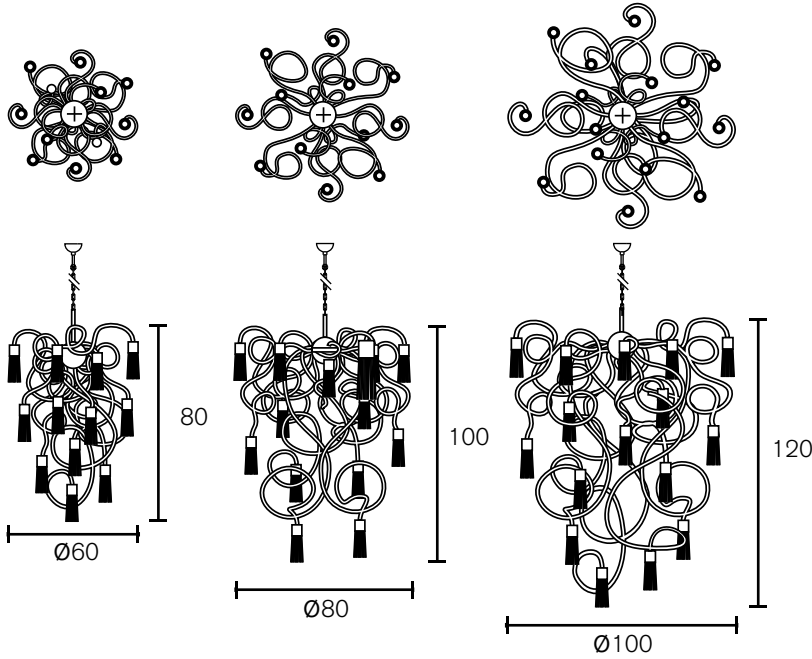
Specifications and prices are subject to change without prior notice. Prices are exclusive of VAT.

# Collection Sultans Of Swing 2012



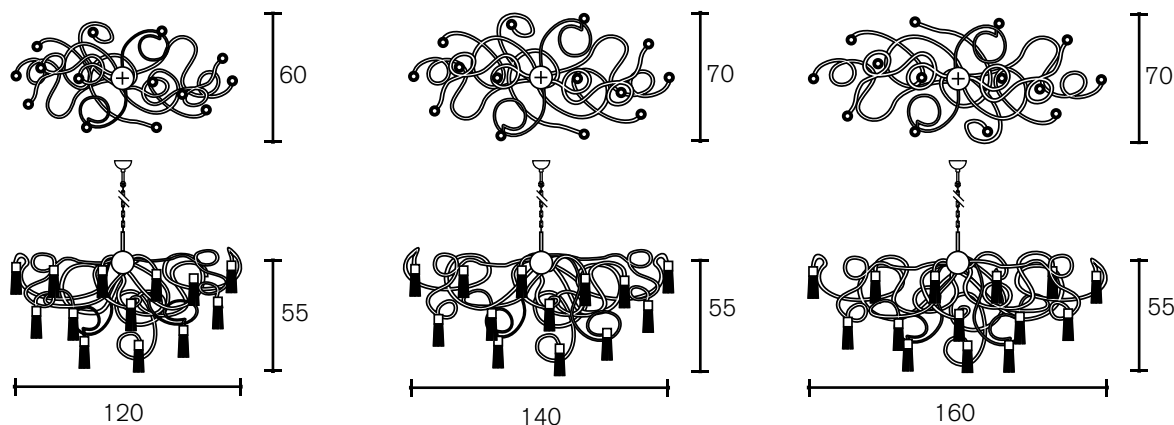
## Chandelier Conical

Art.nr.	Dimensions	Light bulb	Weight	Finish	Price
SOSCC60N	Ø60xH.80 cm	12x E14	23,0 kg	nickel finish	€ 5.932
SOSCC80N	Ø80xH.100 cm	14x E14	30,0 kg	nickel finish	€ 6.160
SOSCC100N	Ø100xH.120 cm	16x E14	37,0 kg	nickel finish	€ 6.492



## Chandelier Oval

Art.nr.	Dimensions	Light bulb	Weight	Finish	Price
SOSOC120N	L.120xW.60xH.55 cm	14x E14	21,0 kg	nickel finish	€ 6.160
SOSOC140N	L.140xW.70xH.55 cm	14x E14	26,0 kg	nickel finish	€ 6.379
SOSOC160N	L.160xW.70xH.55 cm	14x E14	35,0 kg	nickel finish	€ 6.605

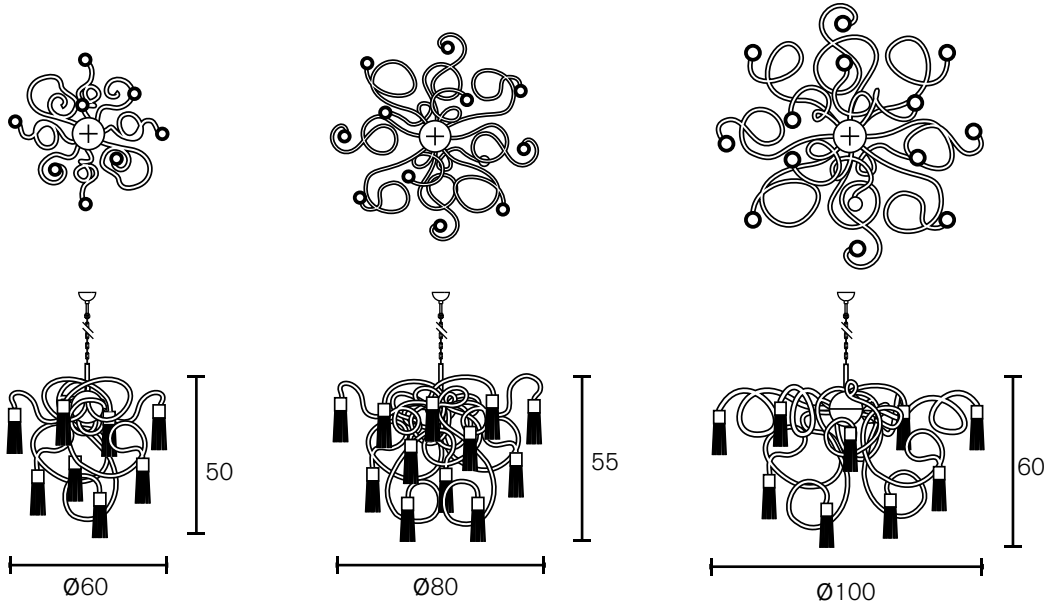


All chandeliers are supplied with 1,7 meter chain, 2 meter electrical cable and a ceiling shade.

Specifications and prices are subject to change without prior notice. Prices are exclusive of VAT.

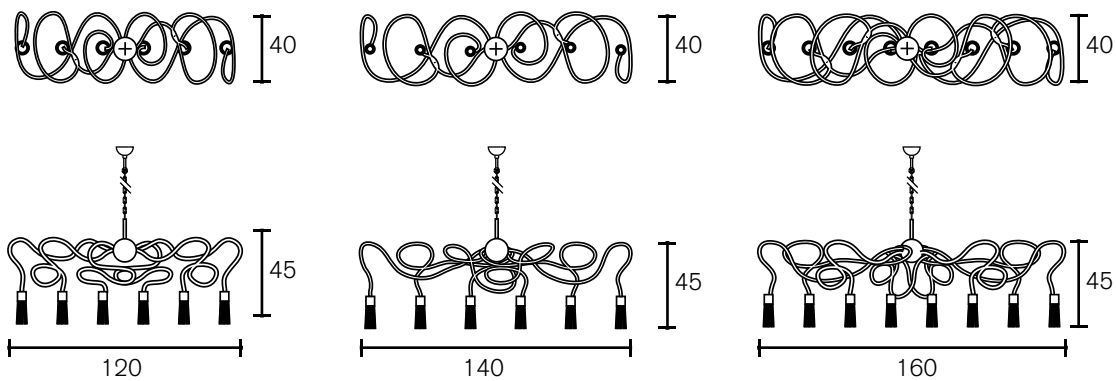
## Chandelier Round

Art.nr.	Dimensions	Light bulb	Weight	Finish	Price
SOSC60N	Ø60xH.50 cm	8x E14	23,0 kg	nickel finish	€ 5.824
SOSC80N	Ø80xH.55 cm	12x E14	30,0 kg	nickel finish	€ 6.045
SOSC100N	Ø100xH.60 cm	14x E14	38,0 kg	nickel finish	€ 6.379



## Hanging Lamp

Art.nr.	Dimensions	Light bulb	Weight	Finish	Price
SOSH120N	L.120xW.40xH.45 cm	6x E14	10,0 kg	nickel finish	€ 3.936
SOSH140N	L.140xW.40xH.45 cm	6x E14	15,0 kg	nickel finish	€ 4.144
SOSH160N	L.160xW.40xH.45 cm	8x E14	20,0 kg	nickel finish	€ 4.825

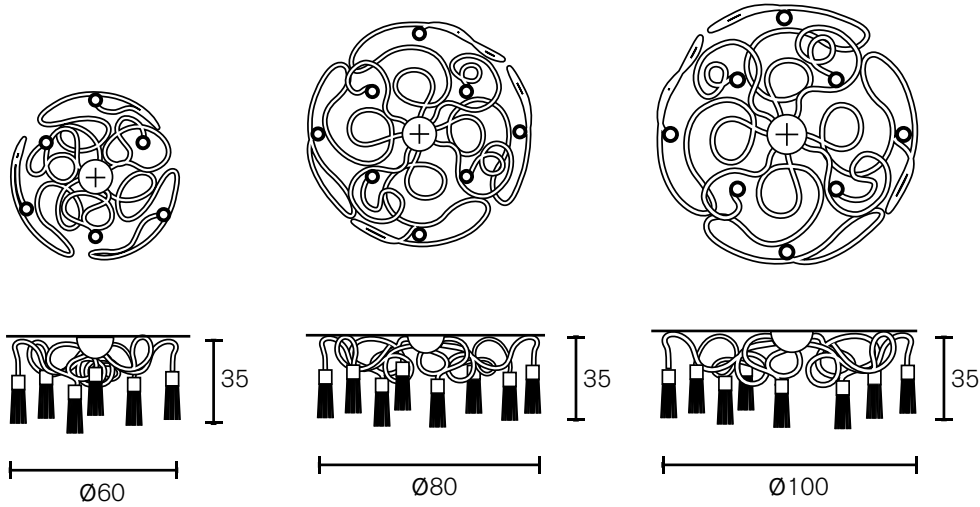


All chandeliers are supplied with 1,7 meter chain, 2 meter electrical cable and a ceiling shade.

Specifications and prices are subject to change without prior notice. Prices are exclusive of VAT.

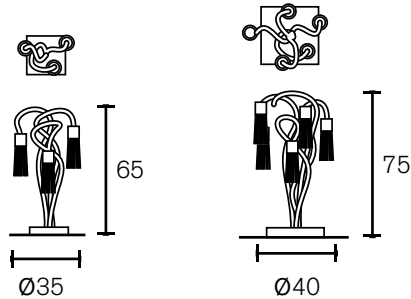
## Ceiling Lamp Round

Art.nr.	Dimensions	Light bulb	Weight	Finish	Price
SOSP60N	Ø60xH.35 cm	6x E14	10,0 kg	nickel finish	€ 3.808
SOSP80N	Ø80xH.35 cm	8x E14	13,0 kg	nickel finish	€ 4.301
SOSP100N	Ø100xH.35 cm	8x E14	18,0 kg	nickel finish	€ 4.720



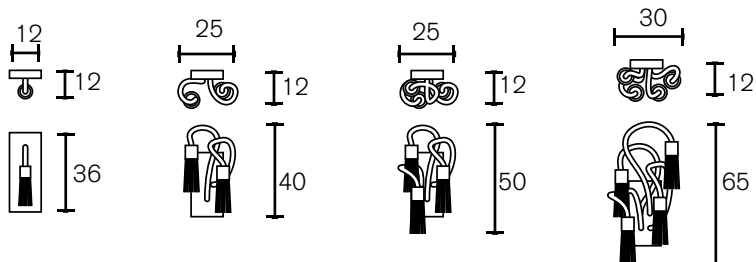
## Table Lamp

Art.nr.	Dimensions	Light bulb	Weight	Finish	Price
SOST65N	Ø35xH.65 cm	3x E14	10,0 kg	nickel finish	€ 1.806
SOST75N	Ø40xH.75 cm	5x E14	12,0 kg	nickel finish	€ 2.168



## Wall Lamp

Art.nr.	Dimensions	Light bulb	Weight	Finish	Price
SOSW36N	W.12xH.36xD.12 cm	1x E14	3,5 kg	nickel finish	€ 1.458
SOSW40N	W.25xH.40xD.12 cm	2x E14	5,0 kg	nickel finish	€ 1.570
SOSW50N	W.25xH.50xD.12 cm	3x E14	11,0 kg	nickel finish	€ 1.789
SOSW65N	W.30xH.65xD.12 cm	4x E14	14,0 kg	nickel finish	€ 2.083



All table lamps are supplied with a dimmer.

Specifications and prices are subject to change without prior notice. Prices are exclusive of VAT.





**SULTANS OF SWING ELEMENTS WITH VARIOUS CURVES 100S0SST**

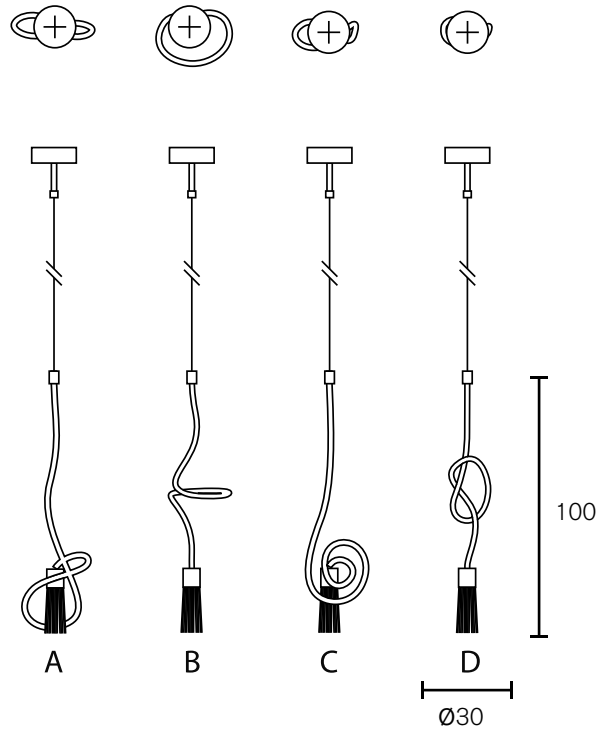
Inspirational rendering featuring single lamps in random combination

# Sultans of Swing



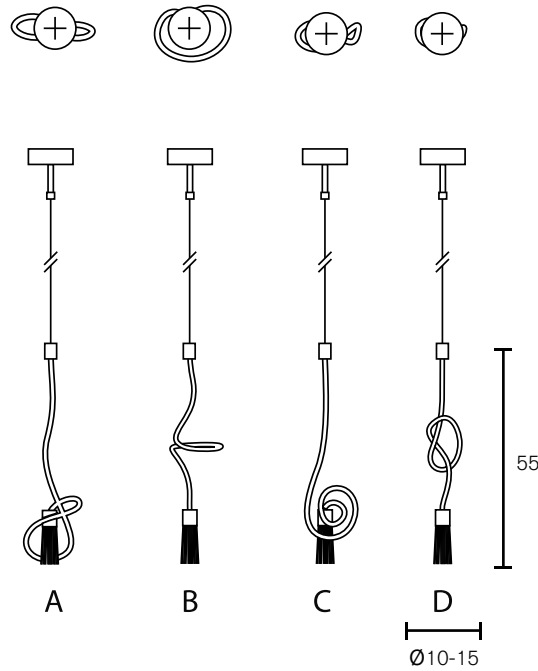
## Element

Art.nr.	Dimensions	Light bulb	Weight	Finish	Price
100SOSST	Ø30xH.100 cm	1x E14	2,5 kg	stainless steel	€ 918



## Element

Art.nr.	Dimensions	Light bulb	Weight	Finish	Price
55SOSST	Ø15xH.55 cm	1x E14	2,0 kg	stainless steel	€ 918



All hanging lamps are standard supplied with 2 meter electrical cable and a ceiling shade.

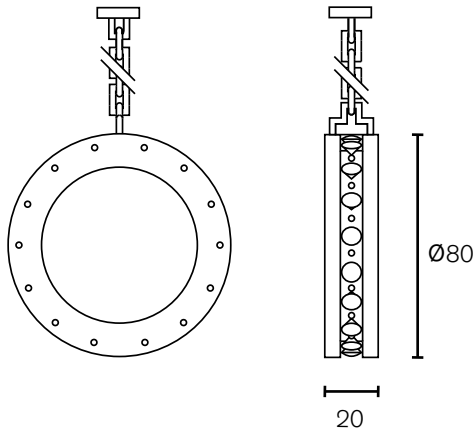
Specifications and prices are subject to change without prior notice. Prices are exclusive of VAT.

# Collection Diamonds From Amsterdam 2011



## Hanging Lamp

Art.nr.	Dimensions	Light bulb	Weight	Finish	Price
DFAC80ST	Ø80xW.20 cm	14x G9	40,0 kg	stainless steel	€ 14.629



The hanging lamp is supplied with a 57cm chain, 2 meter electrical cable and a ceiling shade. Chain length can be customised on request.

Specifications and prices are subject to change without prior notice. Prices are exclusive of VAT.

# Collection Table D'Amis 2011



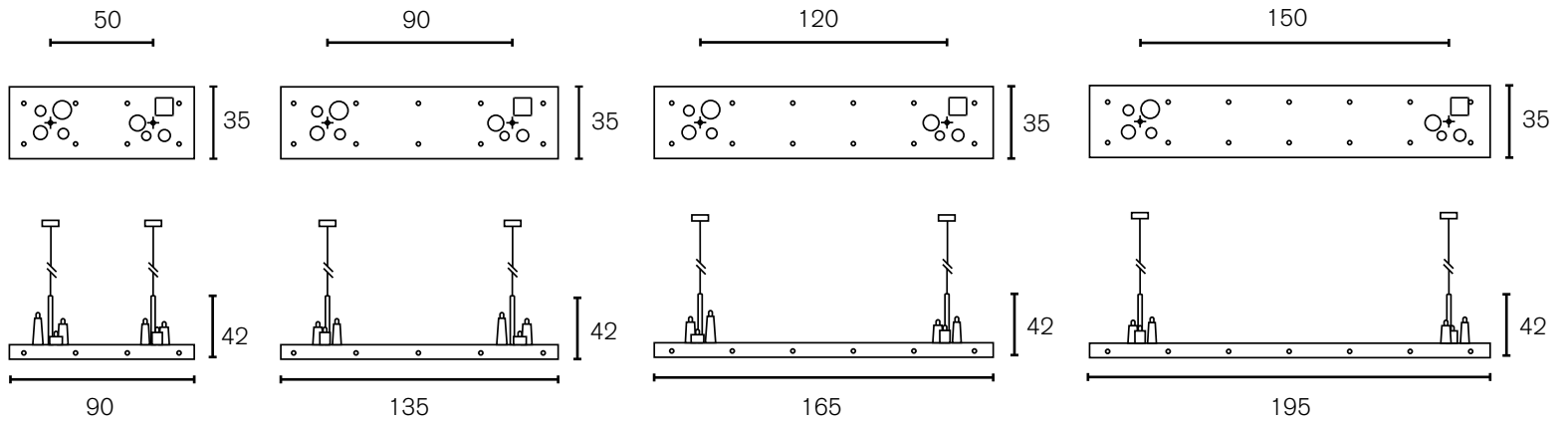
*Only a few items of this collection are available on request.*

# Table D'Amis



## Hanging Lamp Long

Art.nr.	Dimensions	Light bulb	Weight	Finish	Price
TABL90BLM	L.90xW.35xH.42 cm	8x G9	30,0 kg	8x G9 downlight. black matt finish	€ 4.638
TABL135BLM	L.135xW.35xH.42 cm	8x G9	35,0 kg	10x G9 downlight. black matt finish	€ 5.128
TABL165BLM	L.165xW.35xH.42 cm	8x G9	44,0 kg	12x G9 downlight. black matt finish	€ 5.854
TABL195BLM	L.195xW.35xH.42 cm	8x G9	47,0 kg	14x G9 downlight. black matt finish	€ 6.829



*Only a few items of this collection are available on request.*

All hanging lamps are supplied with 2 meter steel and electrical cable and 2 ceiling shades and 1 electric connection shade.  
Long ceiling shade with 2 steel cable connections available on request.

Specifications and prices are subject to change without prior notice. Prices are exclusive of VAT.

# Collection La Vie En Rose 2009



The La Vie en Rose series consists of several items that can be combined into an artistic composition.

The following items can be selected:

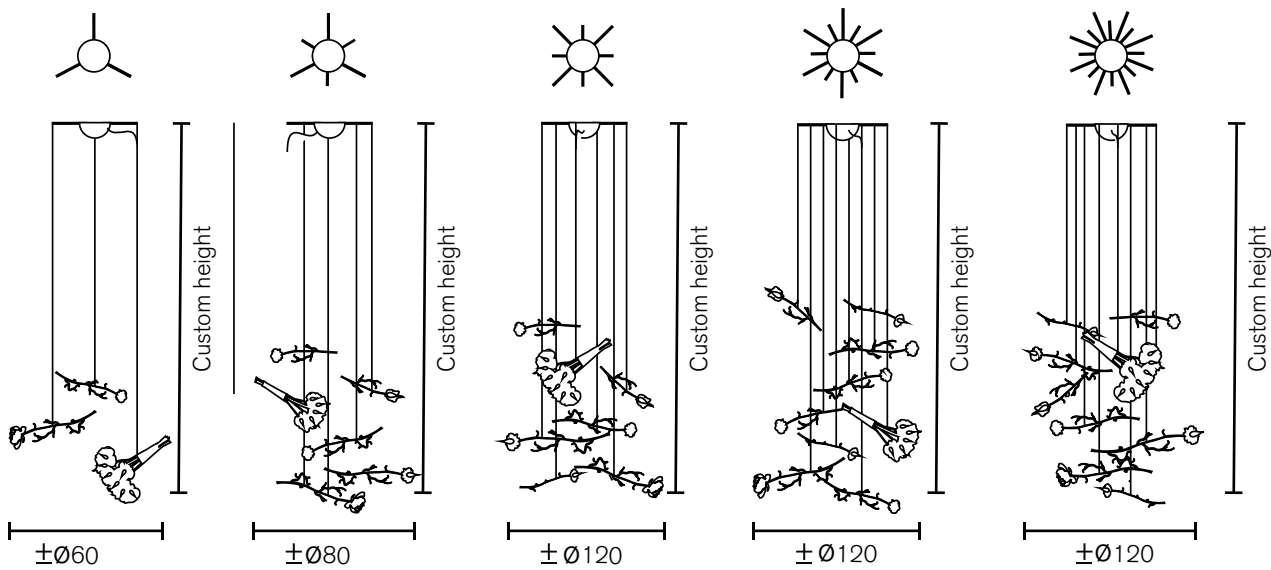
- Bouquet
- Single rose with light
- Single decorative rose (without light)
- Ceiling cover

The Ø of the ceiling covers is based on the Ø of the connection points of the single roses. Because the single roses might turn, an additional 85cm must be taken into account for the actual total Ø size of the object. In case of a combination of single roses with light and a bouquet, per bouquet one tube of the ceiling cover needs to be kept free in order to connect the bouquet wire.

The bouquet itself has to be connected to the ceiling. The price of the rose object will be the sum of the prices of the single parts of the object.

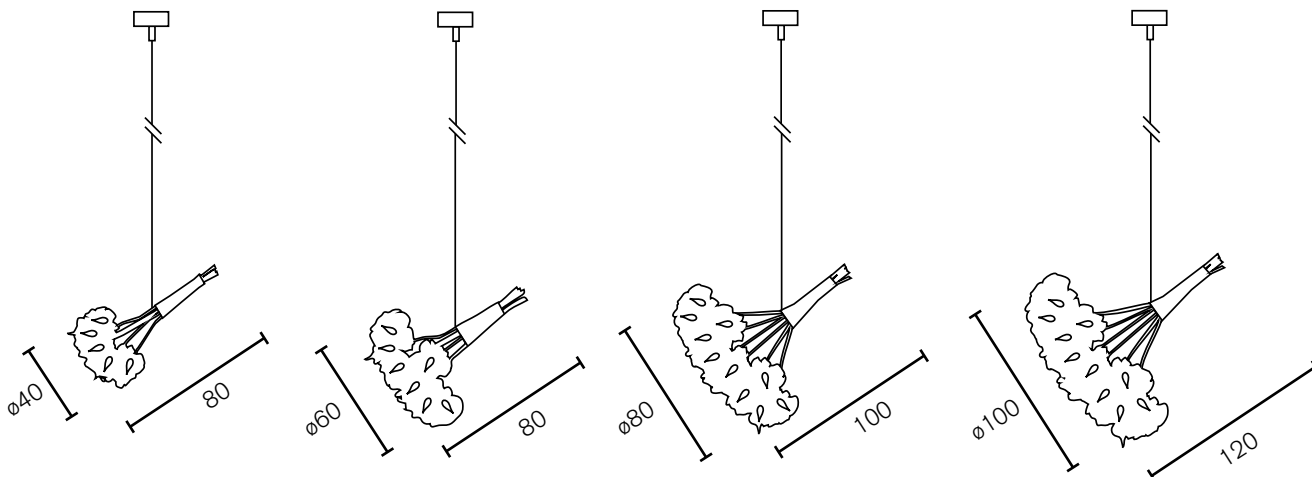
## Ceiling Cover

Art.nr.	Dimensions	Light bulb	Weight	Finish	Price
VERCH3XN	Ø60 cm		2,5 kg	nickel finish	€ 754
VERCH6XN	Ø80 cm		2,9 kg	nickel finish	€ 823
VERCH8XN	Ø120 cm		3,3 kg	nickel finish	€ 891
VERCH12XN	Ø120 cm		3,5 kg	nickel finish	€ 956
VERCH16XN	Ø120 cm		4,0 kg	nickel finish	€ 1.026



## Bouquet

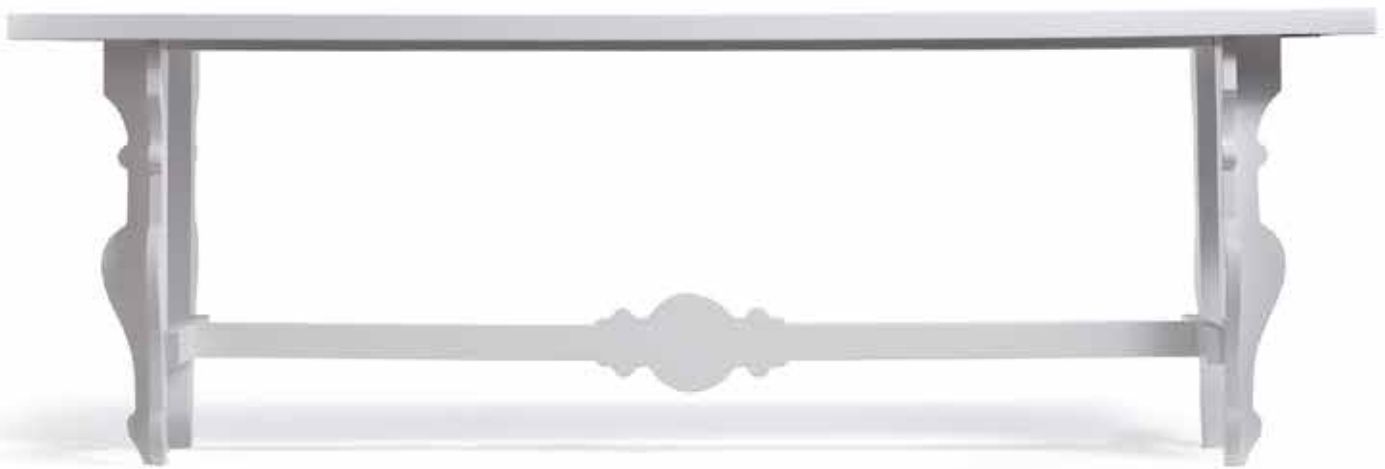
Art.nr.	Dimensions	Light bulb	Weight	Finish	Price
VERHB40N	Ø40xL.80 cm	5x E14	10,0 kg	nickel finish	€ 3.662
VERHB60N	Ø60xL.80 cm	7x E14	11,0 kg	nickel finish	€ 4.224
VERHB80N	Ø80xL.100 cm	10x E14	22,0 kg	nickel finish	€ 5.663
VERHB100N	Ø100xL.120 cm	12x E14	30,0 kg	nickel finish	€ 8.652



All hanging lamps are supplied with 2 meter steel- and electrical cable and a ceiling shade. All single roses with light are standard supplied with 2 meter steel cable and 2 meter electrical cable. All Bouquets are to be attached directly to the ceiling, separate from the ceiling cover. Decorative roses have no electrical cable.

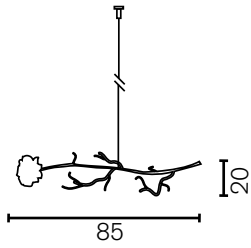
Specifications and prices are subject to change without prior notice. Prices are exclusive of VAT.





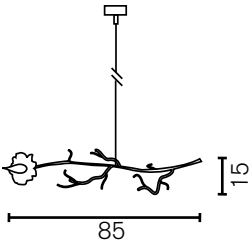
## Single Decorative Rose

Art.nr.	Dimensions	Light bulb	Weight	Finish	Price
VERSRD80N	L.85xW.20xH.20 cm		1,0 kg	nickel finish	€ 661



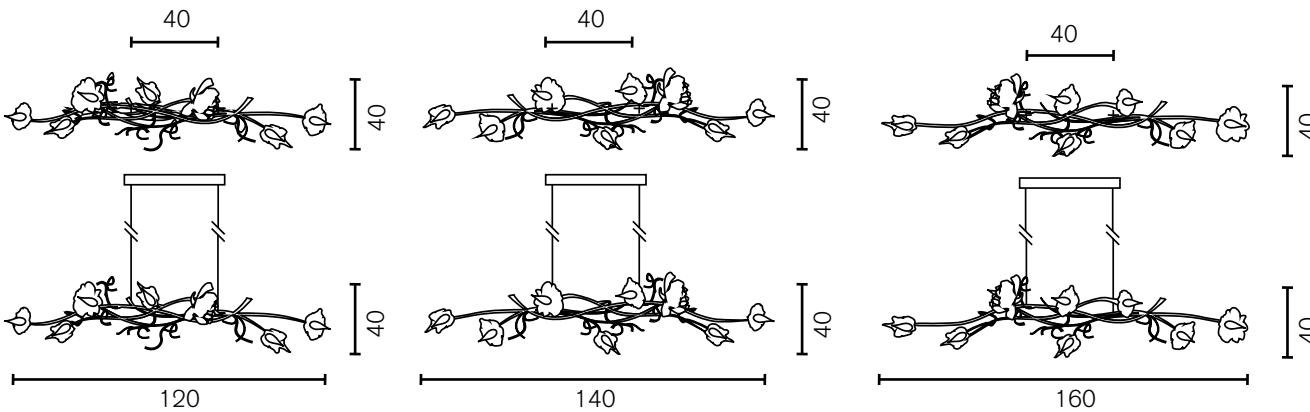
## Single Light Rose

Art.nr.	Dimensions	Light bulb	Weight	Finish	Price
VERSL80N	L.85xW.15xH.15 cm	1x E14	1,0 kg	nickel finish	€ 813



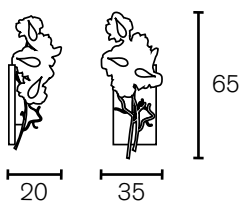
## Hanging Lamp

Art.nr.	Dimensions	Light bulb	Weight	Finish	Price
VERHL120N	L.120xW.40xH.40 cm	8x E14	5,0 kg	nickel finish	€ 3.528
VERHL140N	L.140xW.40xH.40 cm	8x E14	8,5 kg	nickel finish	€ 3.662
VERHL160N	L.160xW.40xH.40 cm	10x E14	11,0 kg	nickel finish	€ 3.800



## Wall Lamp

Art.nr.	Dimensions	Light bulb	Weight	Finish	Price
VERW35N	L.35xH.65x D.20 cm	3x E14	8,0 kg	nickel finish	€ 2.652



All hanging lamps are supplied with 2 meter steel- and electrical cable and a ceiling shade. All single roses with light are standard supplied with 2 meter steel cable and 2 meter electrical cable. Decorative roses have no electrical cable.

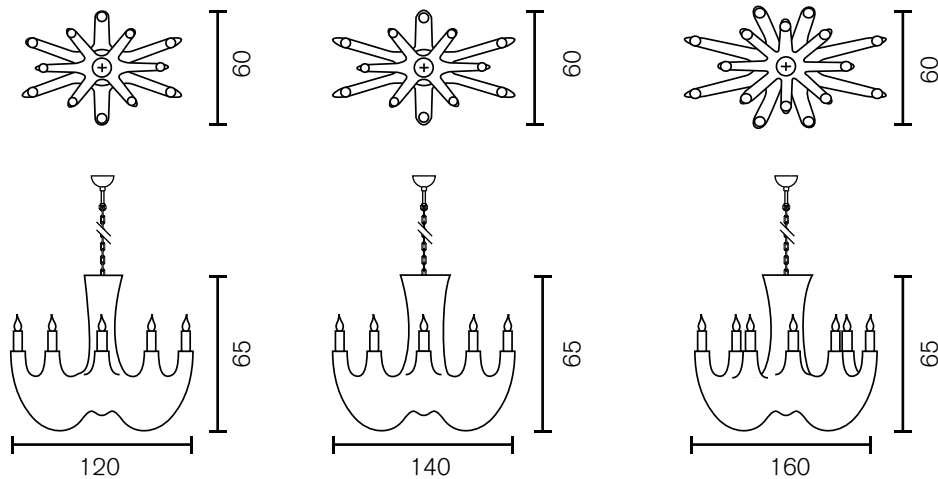
Specifications and prices are subject to change without prior notice. Prices are exclusive of VAT.

# Collection Coco 2009



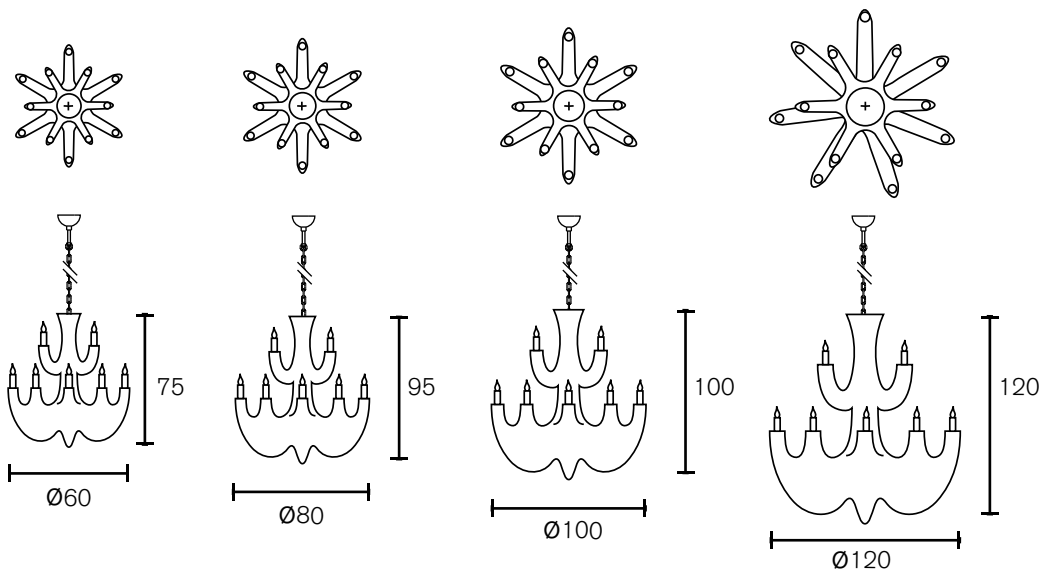
## Chandelier Oval

Art.nr.	Dimensions	Light bulb	Weight	Finish	Price
COCOCO120BL	L.120xW.60xH.65 cm	12x E14	37,0 kg	black finish	€ 5.559
COCOCO120N	L.120xW.60xH.65 cm	12x E14	37,0 kg	nickel finish	€ 6.710
COCOCO140BL	L.140xW.60xH.65 cm	12x E14	39,0 kg	black finish	€ 7.081
COCOCO140N	L.140xW.60xH.65 cm	12x E14	39,0 kg	nickel finish	€ 7.931
COCOCO160BL	L.160xW.60xH.65 cm	16x E14	50,0 kg	black finish	€ 7.318
COCOCO160N	L.160xW.60xH.65 cm	16x E14	50,0 kg	nickel finish	€ 9.144



## Chandelier Round

Art.nr.	Dimensions	Light bulb	Weight	Finish	Price
COCOCC60BL	Ø60xH.75 cm	12x E14	23,0 kg	black finish	€ 5.426
COCOCC60N	Ø60xH.75 cm	12x E14	23,0 kg	nickel finish	€ 5.559
COCOCC80BL	Ø80xH.95 cm	12x E14	40,0 kg	black finish	€ 5.830
COCOCC80N	Ø80xH.95 cm	12x E14	40,0 kg	nickel finish	€ 6.710
COCOCC100BL	Ø100xH.100 cm	12x E14	49,0 kg	black finish	€ 6.777
COCOCC100N	Ø100xH.100 cm	12x E14	49,0 kg	nickel finish	€ 7.563
COCOCC120BL	Ø120xH.120 cm	15x E14	75,0 kg	black finish	€ 9.485
COCOCC120N	Ø120xH.120 cm	15x E14	75,0 kg	nickel finish	€ 10.164

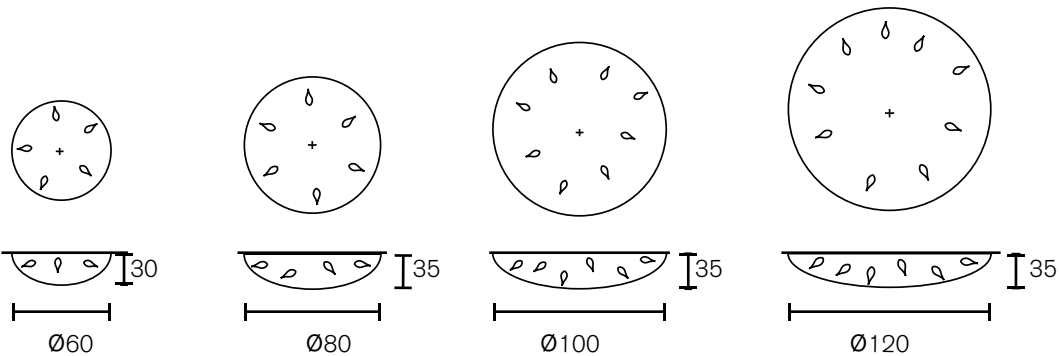


All chandeliers are supplied with 1,7 meter chain, 2 meter electrical cable and a ceiling shade. White finish on request.

Specifications and prices are subject to change without prior notice. Prices are exclusive of VAT.

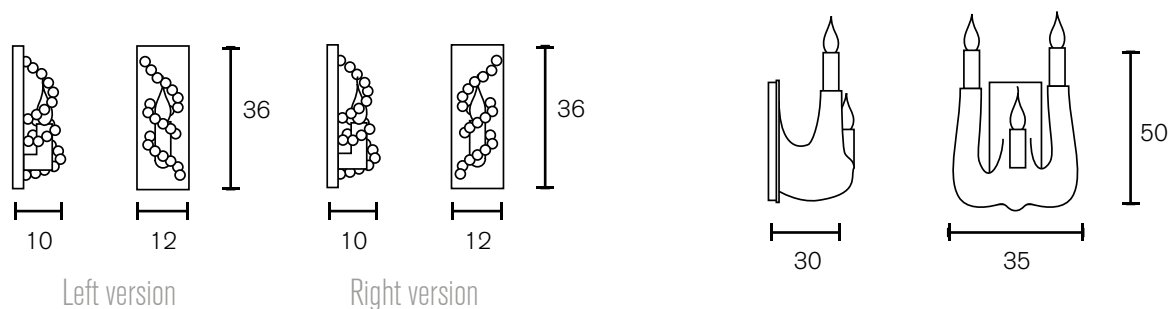
## Ceiling Lamp Round

Art.nr.	Dimensions	Light bulb	Weight	Finish	Price
COCOP60BL	Ø60xH.30 cm	5x E14	16,0 kg	black finish	€ 3.393
COCOP60N	Ø60xH.30 cm	5x E14	16,0 kg	nickel finish	€ 3.800
COCOP80BL	Ø80xH.35 cm	6x E14	23,0 kg	black finish	€ 3.528
COCOP80N	Ø80xH.35 cm	6x E14	23,0 kg	nickel finish	€ 3.936
COCOP100BL	Ø100xH.35 cm	8x E14	25,0 kg	black finish	€ 3.800
COCOP100N	Ø100xH.35 cm	8x E14	25,0 kg	nickel finish	€ 4.210
COCOP120BL	Ø120xH.35 cm	10x E14	27,0 kg	black finish	€ 3.911
COCOP120N	Ø120xH.35 cm	10x E14	27,0 kg	nickel finish	€ 4.566



## Wall Lamp

Art.nr.	Dimensions	Light bulb	Weight	Finish	Price
COCOW36BL-L	W.12xH.36xD.10 cm	1x E14	3,0 kg	black finish. left version	€ 978
COCOW36BL-R	W.12xH.36xD.10 cm	1x E14	3,0 kg	black finish. right version	€ 978
COCOW36N-L	W.12xH.36xD.10 cm	1x E14	3,0 kg	nickel finish. left version	€ 1.095
COCOW36N-R	W.12xH.36xD.10 cm	1x E14	3,0 kg	nickel finish. right version	€ 1.095
COCOW35BL	W.35xH.50xD.30 cm	3x E14	7,0 kg	black finish	€ 1.772
COCOW35N	W.35xH.50xD.30 cm	3x E14	7,0 kg	nickel finish	€ 1.976



White finish on request.

Specifications and prices are subject to change without prior notice. Prices are exclusive of VAT.



COCO WALL LAMP COCOW36N-L

# Collection Floating Candles 2007



The Floating Candles collection offers the possibility to combine several objects into an composition. Use a single piece, hang them in line or use the possibility to adjust the height to create a chandelier. The following options can be selected:

**FCB18:** Candle basic model

**FCDL18:** Candle on a platter, including a downlight

**In Line:** It is possible to combine a series of several candles in line.

This fixture can for example be used above a table or desk.

For this fixture we recommend the use of a downlight.

**Chandelier:**

It is also possible to compose a chandelier, consisting of several Floating Candles adjusted to different heights.

**Price calculation:**

The prices of the single candle models and ceiling covers (for combinations) are mentioned below.

In case of a combination (in line or chandelier), an adjusted price calculation is applicable.

The price of a combination is the sum of the single parts minus the discount related to the ceiling cover.

The following discounts at combinations are applicable:

### Ceiling Cover "In Line" Discount

- FC2ILBALK 10%
- FC3ILBALK 15%
- FC4ILBALK 20%
- FC5ILBALK 25%
- FC6ILBALK 26%
- FC7ILBALK 27%
- FC8ILBALK 28%



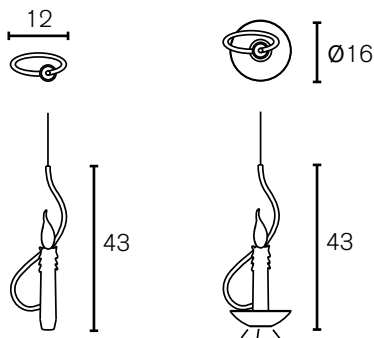
### Ceiling Cover "Chandelier" Discount

- FC3CHPOT 10%
- FC6CHPOT 15%
- FC8CHPOT 17%
- FC12CHPOT 25%
- FC16CHPOT 25%



## Candles

Art.nr.	Dimensions	Light bulb	Weight	Finish	Price
FCB18WM	Ø12xH.43 cm	1x E14	2,4 kg	white matt finish	€ 806
FCB18ST	Ø12xH.43 cm	1x E14	2,4 kg	stainless steel	€ 806
FCDL18WM	Ø16xH.43 cm	1x E14	3,3 kg	1 spot downlight. white matt finish	€ 1.469
FCDL18ST	Ø16xH.43 cm	1x E14	3,3 kg	1 spot downlight. stainless steel	€ 1.469



All hanging lamps are supplied with 2 meter electrical cable and a ceiling shade.

Specifications and prices are subject to change without prior notice. Prices are exclusive of VAT.

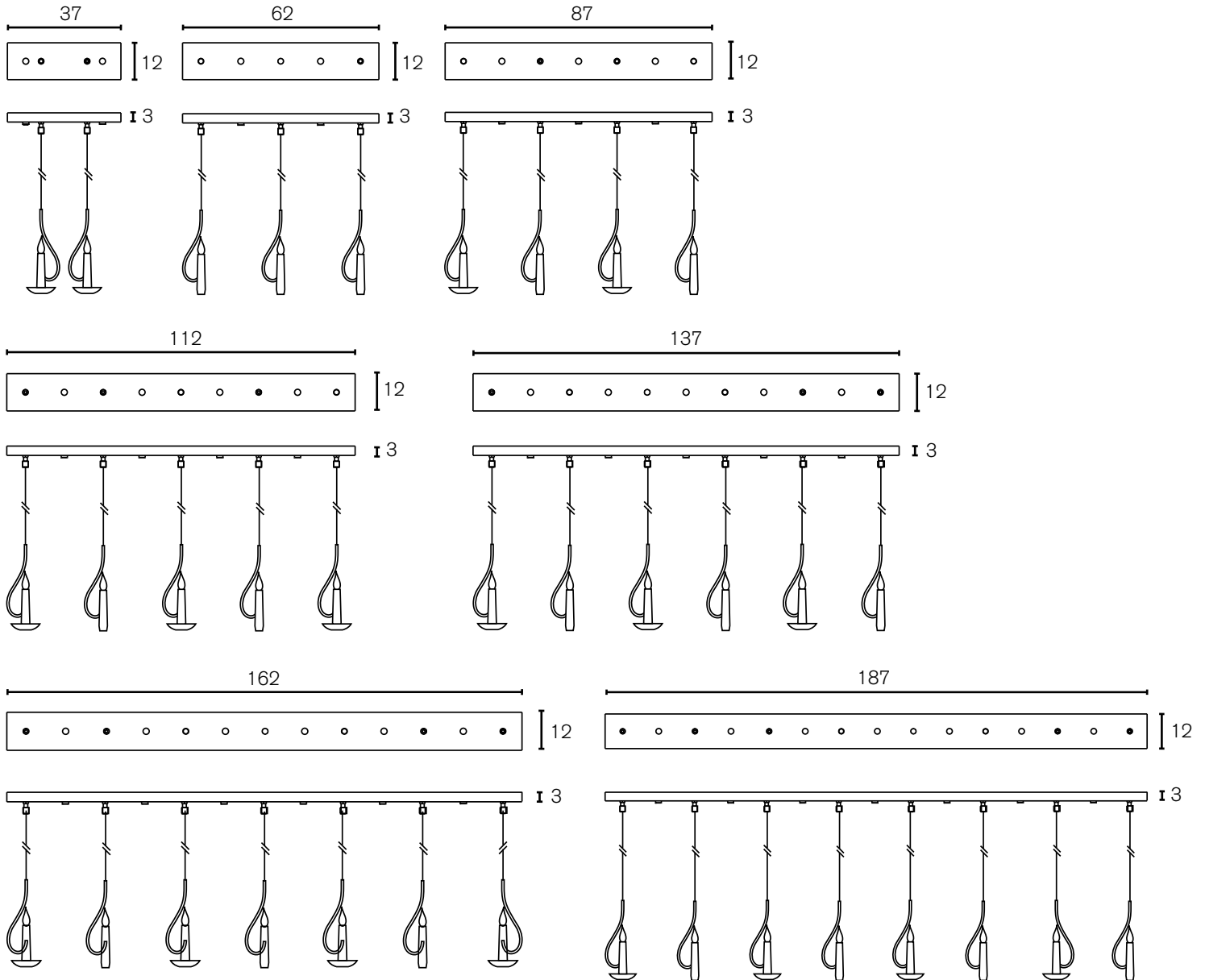


# Floating Candles



## Ceiling cover "In Line"

Art.nr.	Dimensions	Light bulb	Weight	Finish	Price
FC2ILBALK	L.37xW.12xH.3 cm		3,0 kg	stainless steel	€ 467
FC3ILBALK	L.62xW.12xH.3 cm		3,8 kg	stainless steel	€ 801
FC4ILBALK	L.87xW.12xH.3 cm		4,4 kg	stainless steel	€ 927
FC5ILBALK	L.112xW.12xH.3 cm		4,7 kg	stainless steel	€ 1.041
FC6ILBALK	L.137xW.12xH.3 cm		5,0 kg	stainless steel	€ 1.067
FC7ILBALK	L.162xW.12xH.3 cm		5,7 kg	stainless steel	€ 1.502
FC8ILBALK	L.187xW.12xH.3 cm		6,5 kg	stainless steel	€ 1.586



All hanging lamps are supplied with 2 meter electrical cable and a ceiling shade.

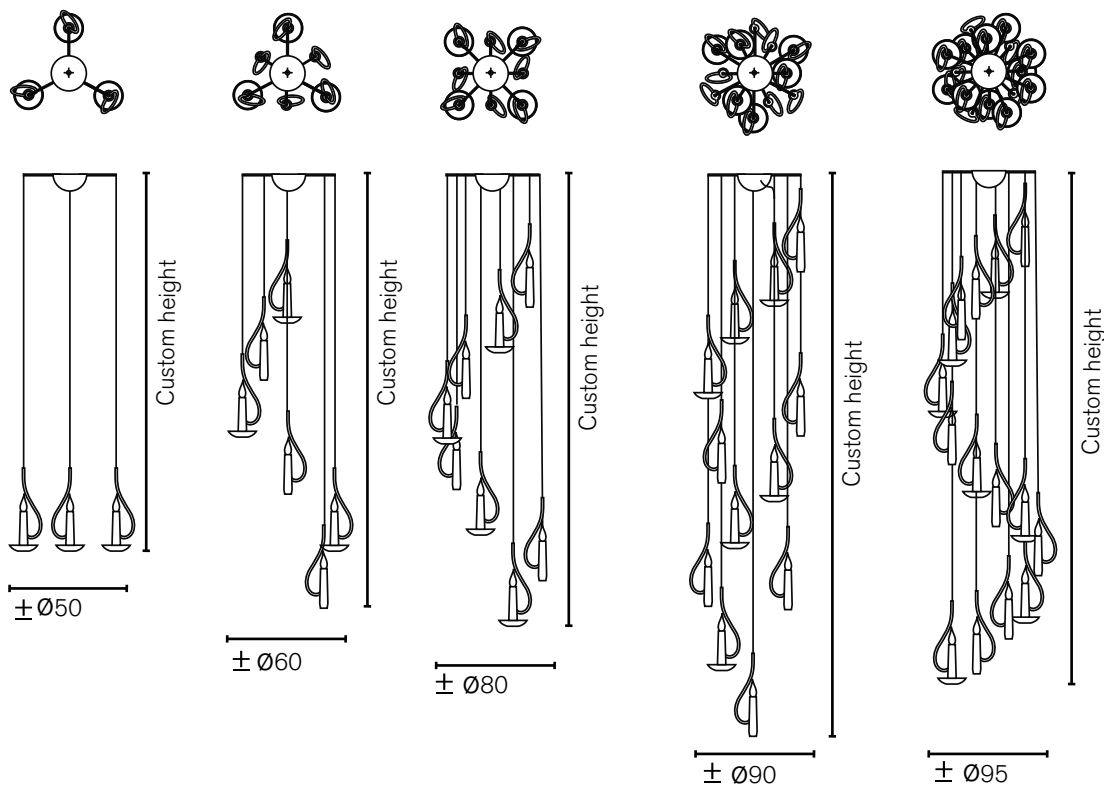
Specifications and prices are subject to change without prior notice. Prices are exclusive of VAT.

# Floating Candles



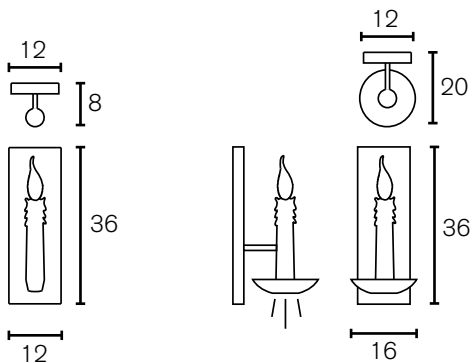
## Ceiling Cover "Chandelier"

Art.nr.	Dimensions	Light bulb	Weight	Finish	Price
FC3CHPOT	Ø50 cm		2,6 kg	nickel finish	€ 298
FC6CHPOT	Ø60 cm		3,0 kg	nickel finish	€ 411
FC8CHPOT	Ø80 cm		3,3 kg	nickel finish	€ 467
FC12CHPOT	Ø90 cm		3,7 kg	nickel finish	€ 591
FC16CHPOT	Ø95 cm		3,9 kg	nickel finish	€ 698



## Wall Lamp

Art.nr.	Dimensions	Light bulb	Weight	Finish	Price
FCW36WM	W.12xH.36xD.8 cm	1x E14	3,0 kg	white matt finish	€ 924
FCW36ST	W.12xH.36xD.8 cm	1x E14	3,0 kg	stainless steel	€ 924
FCDLW36WM	W.16xH.36xD.20 cm	1x E14	4,0 kg	1 spot downlight. white matt finish	€ 1.593
FCDLW36ST	W.16xH.36xD.20 cm	1x E14	4,0 kg	1 spot downlight. stainless steel	€ 1.593



All hanging lamps are supplied with 2 meter electrical cable and a ceiling shade.

Specifications and prices are subject to change without prior notice. Prices are exclusive of VAT.

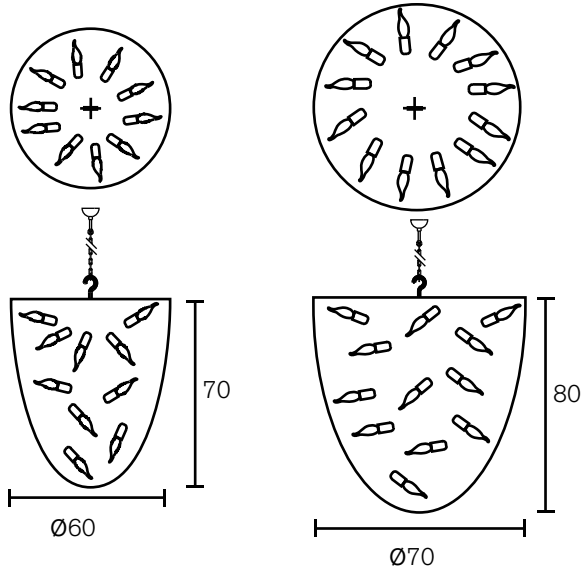
# Collection Love You Love You Not 2007

---



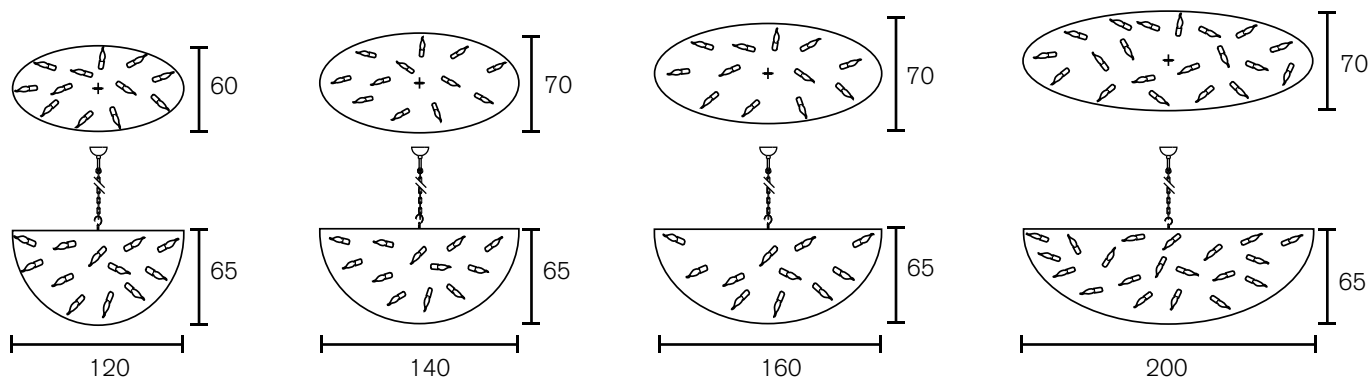
## Chandelier Conical

Art.nr.	Dimensions	Light bulb	Weight	Finish	Price
LYCC60BL	Ø60xH.70 cm	10x E14	22,0 kg	black finish	€ 5.481
LYCC60W	Ø60xH.70 cm	10x E14	22,0 kg	white finish	€ 5.481
LYCC60N	Ø60xH.70 cm	10x E14	22,0 kg	nickel finish	€ 5.721
LYCC70BL	Ø70xH.80 cm	12x E14	28,0 kg	black finish	€ 6.313
LYCC70W	Ø70xH.80 cm	12x E14	28,0 kg	white finish	€ 6.313
LYCC70N	Ø70xH.80 cm	12x E14	28,0 kg	nickel finish	€ 6.608



## Chandelier Oval

Art.nr.	Dimensions	Light bulb	Weight	Finish	Price
LYOC60BL	L.120xW.60xH.65 cm	16x E14	25,0 kg	black finish	€ 7.143
LYOC60W	L.120xW.60xH.65 cm	16x E14	25,0 kg	white finish	€ 7.143
LYOC60N	L.120xW.60xH.65 cm	16x E14	25,0 kg	nickel finish	€ 7.487
LYOC70BL	L.140xW.70xH.65 cm	16x E14	26,0 kg	black finish	€ 7.401
LYOC70W	L.140xW.70xH.65 cm	16x E14	26,0 kg	white finish	€ 7.401
LYOC70N	L.140xW.70xH.65 cm	16x E14	26,0 kg	nickel finish	€ 7.757
LYOC80BL	L.160xW.70xH.65 cm	18x E14	41,0 kg	black finish	€ 7.989
LYOC80W	L.160xW.70xH.65 cm	18x E14	41,0 kg	white finish	€ 7.989
LYOC80N	L.160xW.70xH.65 cm	18x E14	41,0 kg	nickel finish	€ 10.365
LYOC100BL	L.200xW.70xH.65 cm	24x E14	65,0 kg	black finish	€ 9.318
LYOC100W	L.200xW.70xH.65 cm	24x E14	65,0 kg	white finish	€ 9.318
LYOC100N	L.200xW.70xH.65 cm	24x E14	65,0 kg	nickel finish	€ 11.158

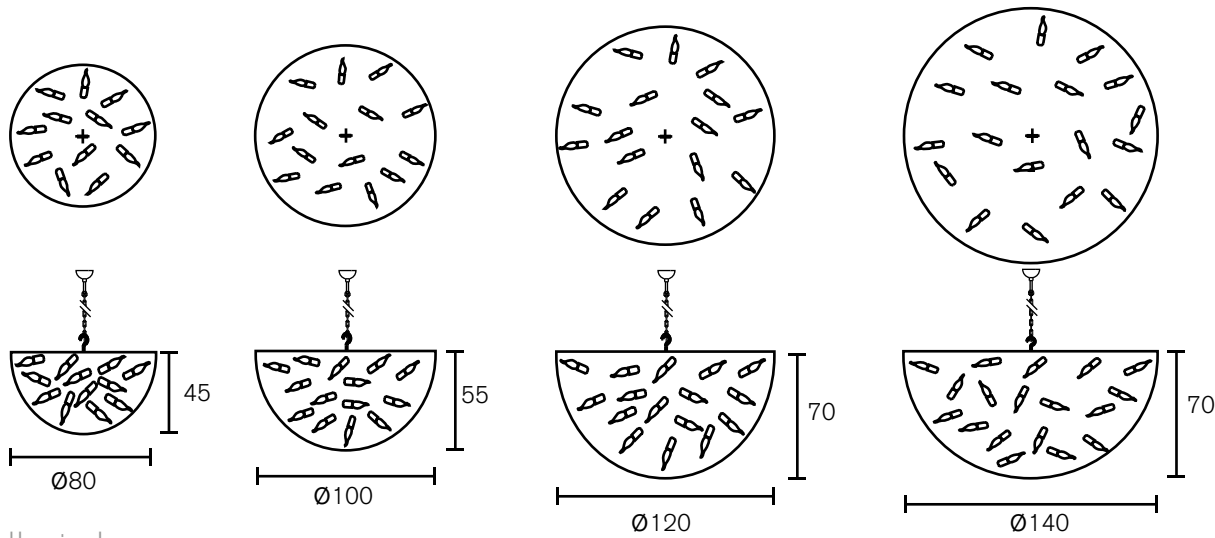


All chandeliers are supplied with 1,7 meter chain, 2 meter electrical cable and a ceiling shade.  
All crystals are original Swarovski crystals

Specifications and prices are subject to change without prior notice. Prices are exclusive of VAT.

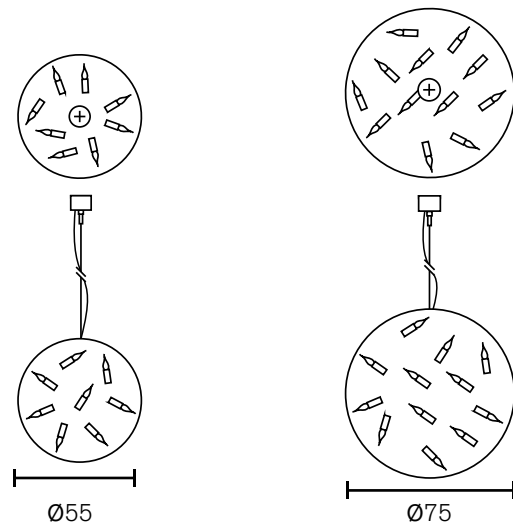
## Chandelier Round

Art.nr.	Dimensions	Light bulb	Weight	Finish	Price
LYC80BL	Ø80xH.45 cm	12x E14	22,0 kg	black finish	€ 6.770
LYC80W	Ø80xH.45 cm	12x E14	22,0 kg	white finish	€ 6.770
LYC80N	Ø80xH.45 cm	12x E14	22,0 kg	nickel finish	€ 7.112
LYC100BL	Ø100xH.55 cm	14x E14	35,0 kg	black finish	€ 7.143
LYC100W	Ø100xH.55 cm	14x E14	35,0 kg	white finish	€ 7.143
LYC100N	Ø100xH.55 cm	14x E14	35,0 kg	nickel finish	€ 7.487
LYC120BL	Ø120xH.70 cm	16x E14	55,0 kg	black finish	€ 8.207
LYC120W	Ø120xH.70 cm	16x E14	55,0 kg	white finish	€ 8.171
LYC120N	Ø120xH.70 cm	16x E14	55,0 kg	nickel finish	€ 8.621
LYC140BL	Ø140xH.70 cm	18x E14	60,0 kg	black finish	€ 9.318
LYC140W	Ø140xH.70 cm	18x E14	60,0 kg	white finish	€ 9.318
LYC140N	Ø140xH.70 cm	18x E14	60,0 kg	nickel finish	€ 11.158



## Hanging Lamp

Art.nr.	Dimensions	Light bulb	Weight	Finish	Price
LYCB55BL	Ø55 cm	8x E14	14,0 kg	black finish	€ 5.319
LYCB55W	Ø55 cm	8x E14	14,0 kg	white finish	€ 5.319
LYCB55N	Ø55 cm	8x E14	14,0 kg	nickel finish	€ 5.849
LYCB75BL	Ø75 cm	12x E14	26,0 kg	black finish	€ 6.325
LYCB75W	Ø75 cm	12x E14	26,0 kg	white finish	€ 6.325
LYCB75N	Ø75 cm	12x E14	26,0 kg	nickel finish	€ 7.075



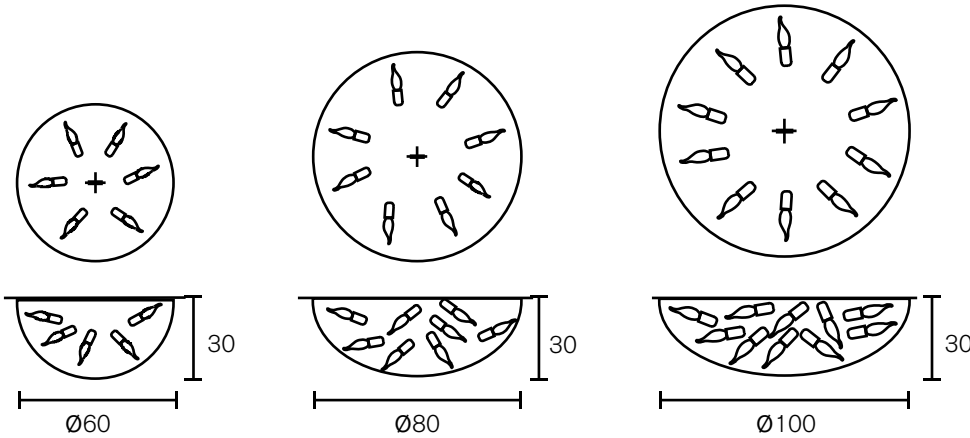
All chandeliers are supplied with 1,7 meter chain, 2 meter electrical cable and a ceiling shade.

Hanging lamp is standard supplied with 2 meter steel cable, 2 meter electrical cable and a ceiling shade. All crystals are original Swarovski crystals

Specifications and prices are subject to change without prior notice. Prices are exclusive of VAT.

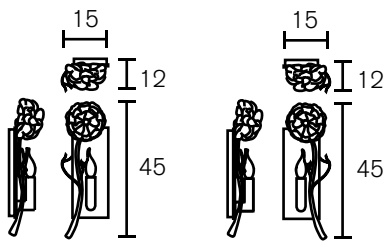
## Ceiling Lamp Round

Art.nr.	Dimensions	Light bulb	Weight	Finish	Price
LYP60BL	Ø60xH.30 cm	6x E14	8,0 kg	black finish	€ 3.308
LYP60W	Ø60xH.30 cm	6x E14	8,0 kg	white finish	€ 3.308
LYP60N	Ø60xH.30 cm	6x E14	8,0 kg	nickel finish	€ 3.641
LYP80BL	Ø80xH.30 cm	8x E14	13,0 kg	black finish	€ 3.597
LYP80W	Ø80xH.30 cm	8x E14	13,0 kg	white finish	€ 3.597
LYP80N	Ø80xH.30 cm	8x E14	13,0 kg	nickel finish	€ 3.955
LYP100BL	Ø100xH.30 cm	10x E14	20,0 kg	black finish	€ 3.883
LYP100W	Ø100xH.30 cm	10x E14	20,0 kg	white finish	€ 3.883
LYP100N	Ø100xH.30 cm	10x E14	20,0 kg	nickel finish	€ 4.638



## Wall Lamp

Art.nr.	Dimensions	Light bulb	Weight	Finish	Price
LYW45BL-L	W.15xH.45xD.12 cm	1x E14	3,5 kg	black finish. left version	€ 1.586
LYW45BL-R	W.15xH.45xD.12 cm	1x E14	3,5 kg	black finish. right version	€ 1.586
LYW45W-L	W.15xH.45xD.12 cm	1x E14	3,5 kg	white finish. left version	€ 1.586
LYW45W-R	W.15xH.45xD.12 cm	1x E14	3,5 kg	white finish. right version	€ 1.586
LYW45N-L	W.15xH.45xD.12 cm	1x E14	3,5 kg	nickel finish. left version	€ 1.747
LYW45N-R	W.15xH.45xD.12 cm	1x E14	3,5 kg	nickel finish. right version	€ 1.747



Left version

Right version

All crystals are original Swarovski crystals

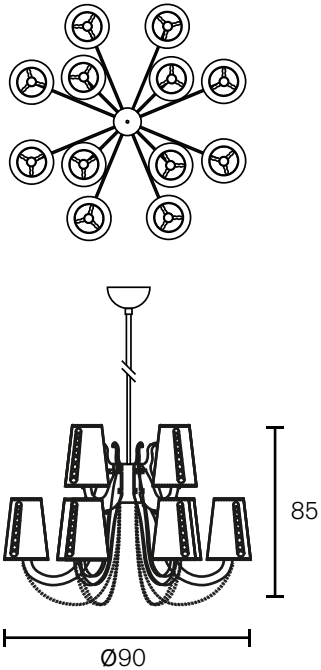
Specifications and prices are subject to change without prior notice. Prices are exclusive of VAT.

# Collection Lola 2007



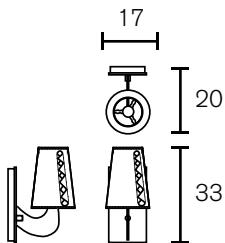
## Chandelier with crystals

Art.nr.	Dimensions	Light bulb	Weight	Finish	Price
LLCCR100BLM	Ø90xH.85 cm	12x E14	25,0 kg	black matt finish	€ 7.470
LLCCR100WM	Ø90xH.85 cm	12x E14	25,0 kg	white matt finish	€ 7.470
LLCCR100ST	Ø90xH.85 cm	12x E14	25,0 kg	stainless steel	€ 8.909



## Wall Lamp

Art.nr.	Dimensions	Light bulb	Weight	Finish	Price
LLW20BLM	W.17xH.33xD.20 cm	1x E14	3,0 kg	black matt finish	€ 1.806
LLW20WM	W.17xH.33xD.20 cm	1x E14	3,0 kg	white matt finish	€ 1.806
LLW20ST	W.17xH.33xD.20 cm	1x E14	3,0 kg	stainless steel	€ 2.064



The chandelier is supplied with 2 meter stem, 2 meter electrical cable and a ceiling shade. All crystals are original Swarovski crystals.

Specifications and prices are subject to change without prior notice. Prices are exclusive of VAT.

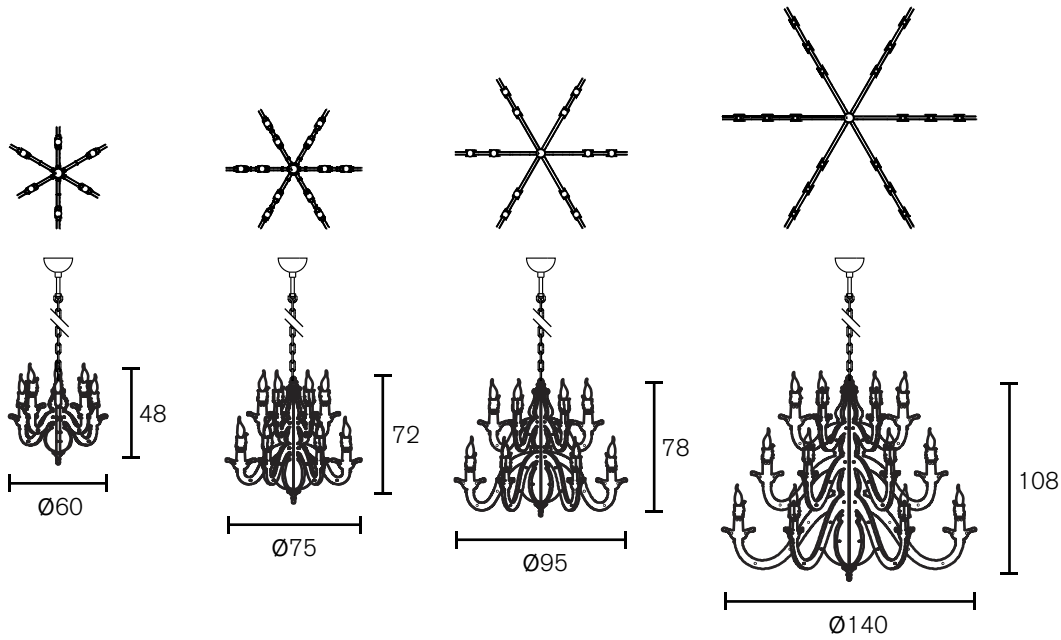


# Collection Nightwatch 2006



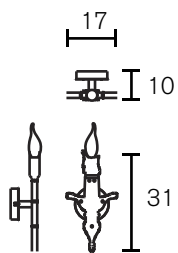
## Chandelier Round

Art.nr.	Dimensions	Light bulb	Weight	Finish	Price
NWH60ST	Ø60xH.48 cm	6x E14	8,5 kg	stainless steel	€ 5.006
NWH75BLM	Ø75xH.72 cm	12x E14	15,0 kg	black matt finish	€ 4.233
NWH75WM	Ø75xH.72 cm	12x E14	15,0 kg	white matt finish	€ 4.233
NWH75ST	Ø75xH.72 cm	12x E14	15,0 kg	stainless steel	€ 5.810
NWH95BLM	Ø95xH.78 cm	12x E14	18,0 kg	black matt finish	€ 4.565
NWH95WM	Ø95xH.78 cm	12x E14	18,0 kg	white matt finish	€ 4.565
NWH95ST	Ø95xH.78 cm	12x E14	18,0 kg	stainless steel	€ 6.396
NWH140ST	Ø140xH.108 cm	18x E14	30,0 kg	stainless steel	€ 7.886



## Wall Lamp

Art.nr.	Dimensions	Light bulb	Weight	Finish	Price
NWW17ST	W.17xH.31xD.10 cm	1x E14	1,0 kg	stainless steel	€ 1.032



All chandeliers are supplied with 1,7 meter chain, 2 meter electrical cable and a ceiling shade.

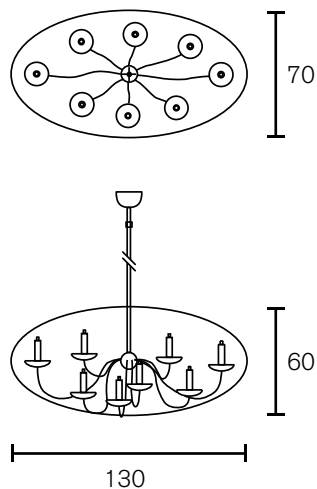
Specifications and prices are subject to change without prior notice. Prices are exclusive of VAT.

# Collection Candles And Spirits 2003



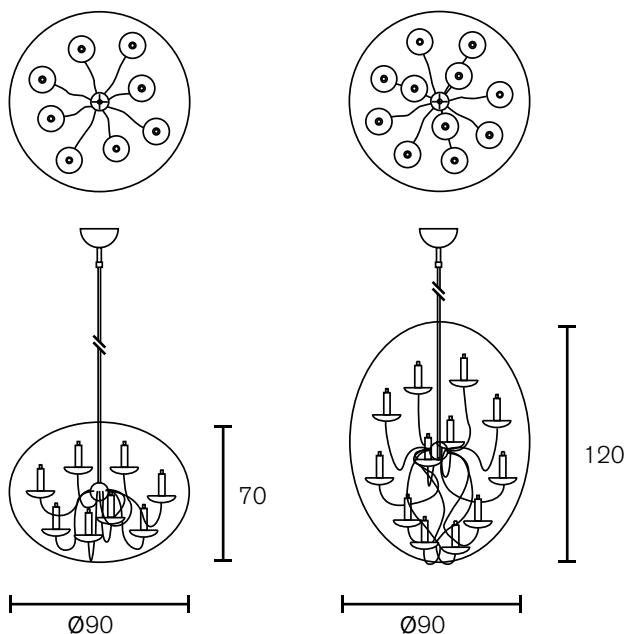
## Chandelier Oval

Art.nr.	Dimensions	Light bulb	Weight	Finish	Price
CASH070NH	L.130xW.70xH.60 cm	8x G9	15,0 kg	nickel finish	€ 9.769



## Chandelier Round

Art.nr.	Dimensions	Light bulb	Weight	Finish	Price
CASH90NH	Ø90xH.70 cm	8x G9	10,0 kg	nickel finish	€ 9.769
CASH120NH	Ø90xH.120 cm	12x G9	20,0 kg	nickel finish	€ 13.929



All chandeliers are standard supplied with 2 meter stem, 2 meter electrical cable and a ceiling shade. All crystals are original Swarovski crystals.

Specifications and prices are subject to change without prior notice. Prices are exclusive of VAT.

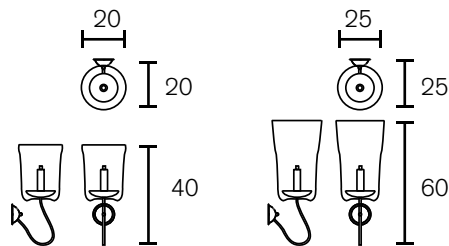


# Candles And Spirits



## Wall Lamp

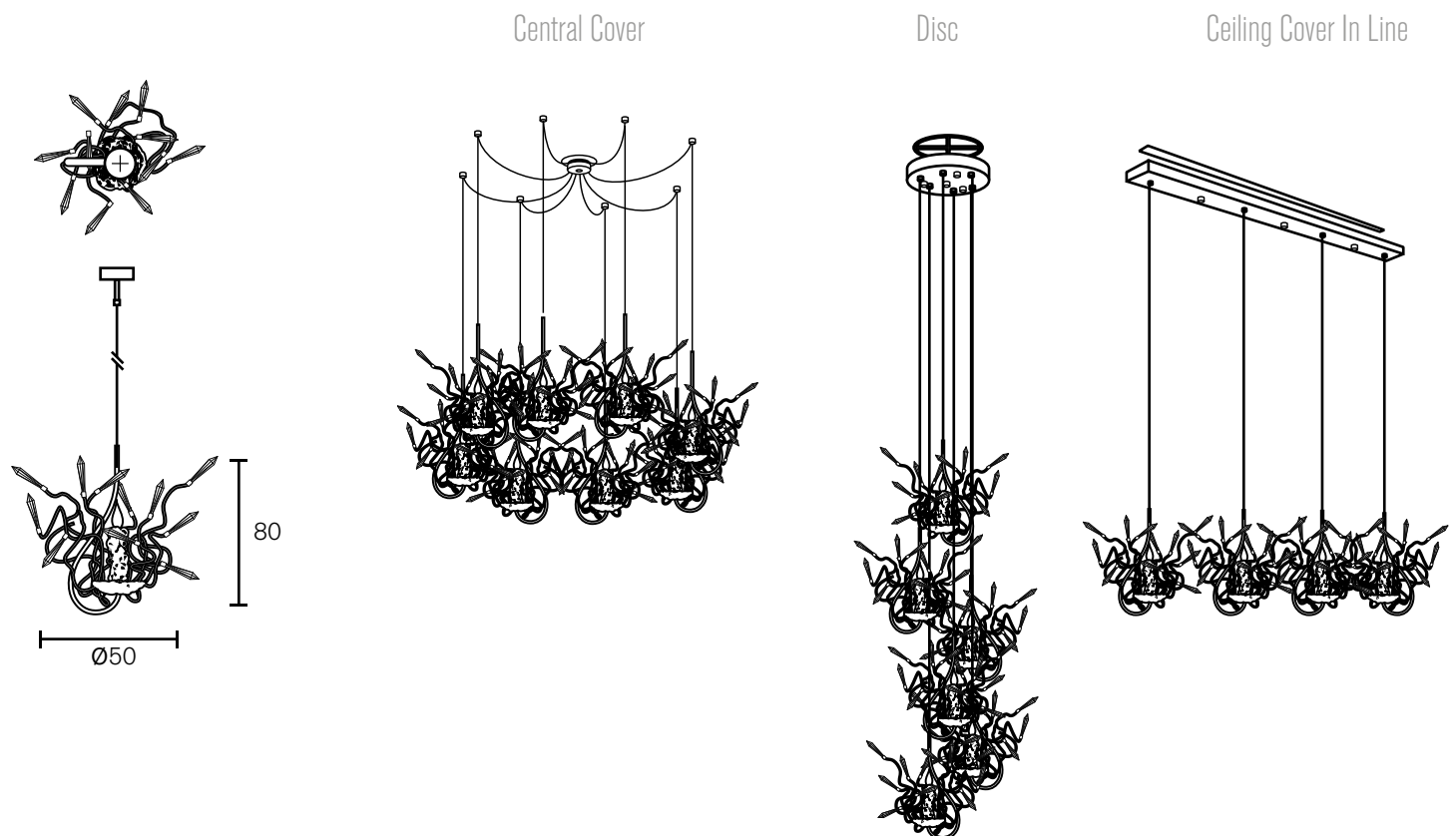
Art.nr.	Dimensions	Light bulb	Weight	Finish	Price
CASW40NH	W.20xH.40xD.20 cm	1x G9	1,5 kg	nickel finish	€ 1.774
CASW60NH	W.25xH.60xD.25 cm	1x G9	1,8 kg	nickel finish	€ 1.978



## Element

Art.nr.	Dimensions	Light bulb	Weight	Finish	Price
50CASHN	Ø50xH.80 cm	1x E14	3,5 kg	nickel finish	€ 1.341

The Candles and Spirits collection offers the possibility to combine several objects into a composition. Use a single piece, hang them in line or use the possibility to adjust the height to create a chandelier.



Hanging lamp is supplied with 2 meter electrical cable and a ceiling shade.

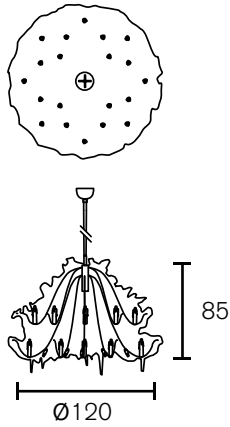
Specifications and prices are subject to change without prior notice. Prices are exclusive of VAT.

# Collection Flower Power 2005



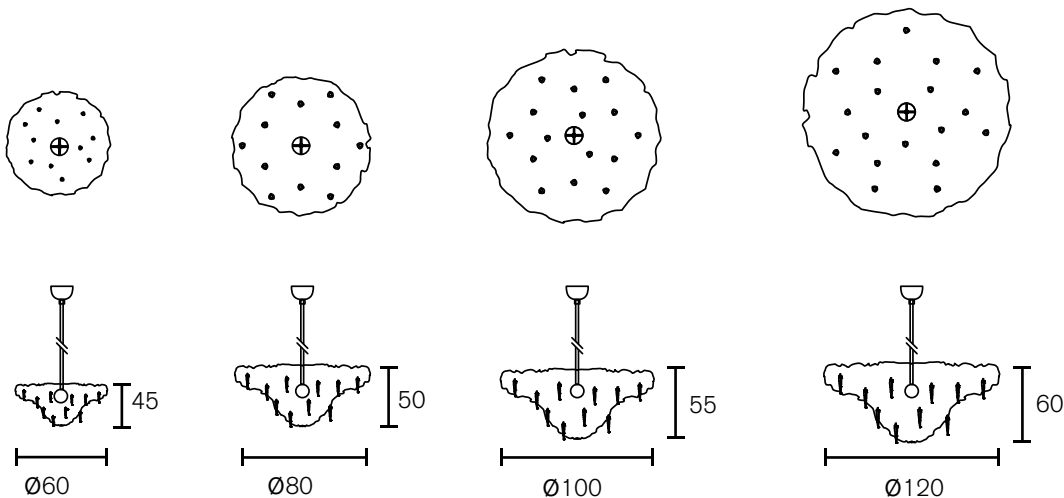
## Chandelier Round

Art.nr.	Dimensions	Light bulb	Weight	Finish	Price
FPC120BL	Ø120xH.85 cm	20x G9	52,0 kg	black finish	€ 7.201
FPC120W	Ø120xH.85 cm	20x G9	52,0 kg	white finish	€ 7.201
FPC120N	Ø120xH.85 cm	20x G9	52,0 kg	nickel finish	€ 7.999



## Chandelier Round Upside Down

Art.nr.	Dimensions	Light bulb	Weight	Finish	Price
FPCUSD60BL	Ø60xH.45 cm	10x G9	15,0 kg	black finish	€ 5.639
FPCUSD60W	Ø60xH.45 cm	10x G9	15,0 kg	white finish	€ 5.639
FPCUSD60N	Ø60xH.45 cm	10x G9	15,0 kg	nickel finish	€ 5.985
FPCUSD80BL	Ø80xH.50 cm	12x G9	26,0 kg	black finish	€ 6.111
FPCUSD80W	Ø80xH.50 cm	12x G9	26,0 kg	white finish	€ 6.111
FPCUSD80N	Ø80xH.50 cm	12x G9	26,0 kg	nickel finish	€ 6.781
FPCUSD100BL	Ø100xH.55 cm	15x G9	46,0 kg	black finish	€ 6.254
FPCUSD100W	Ø100xH.55 cm	15x G9	46,0 kg	white finish	€ 6.254
FPCUSD100N	Ø100xH.55 cm	15x G9	46,0 kg	nickel finish	€ 6.953
FPCUSD120BL	Ø120xH.60 cm	18x G9	49,0 kg	black finish	€ 6.409
FPCUSD120W	Ø120xH.60 cm	18x G9	49,0 kg	white finish	€ 6.409
FPCUSD120N	Ø120xH.60 cm	18x G9	49,0 kg	nickel finish	€ 7.129



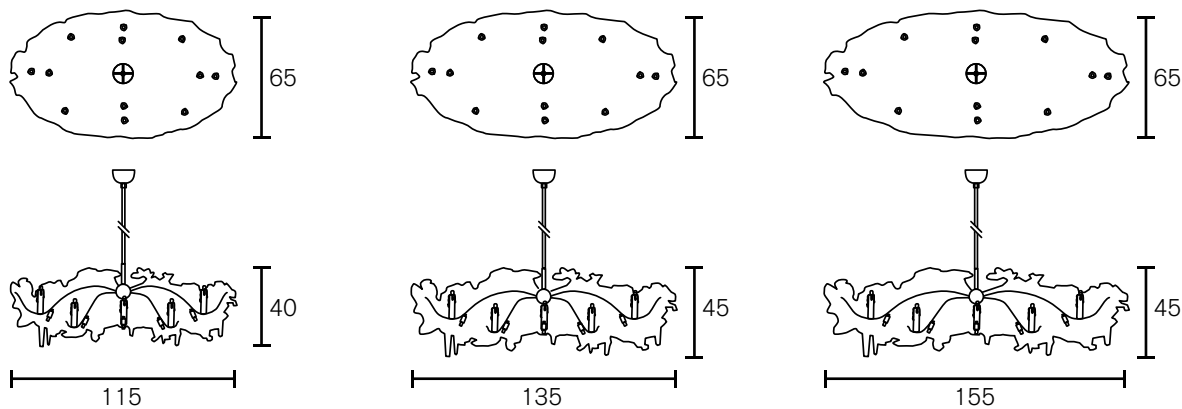
All hanging lamps and chandeliers are supplied with 2 meter stem, 2 meter electrical cable and a ceiling shade.

Specifications and prices are subject to change without prior notice. Prices are exclusive of VAT.



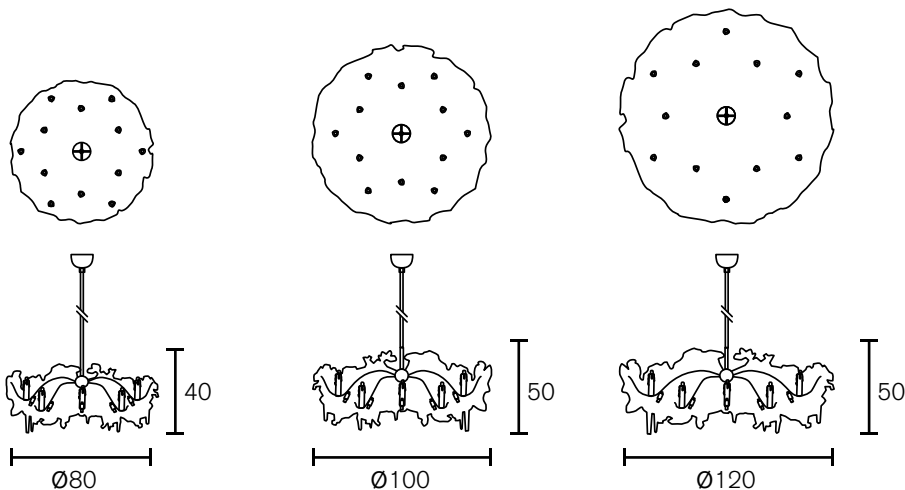
## Chandelier Oval

Art.nr.	Dimensions	Light bulb	Weight	Finish	Price
FPHO115BL	L.115xW.65xH.40 cm	12x G9	28,0 kg	black finish	€ 5.730
FPHO115W	L.115xW.65xH.40 cm	12x G9	28,0 kg	white finish	€ 5.730
FPHO115N	L.115xW.65xH.40 cm	12x G9	28,0 kg	nickel finish	€ 6.375
FPHO135BL	L.135xW.65xH.45 cm	12x G9	35,0 kg	black finish	€ 5.913
FPHO135W	L.135xW.65xH.45 cm	12x G9	35,0 kg	white finish	€ 5.913
FPHO135N	L.135xW.65xH.45 cm	12x G9	35,0 kg	nickel finish	€ 6.564
FPHO155BL	L.155xW.65xH.45 cm	12x G9	40,0 kg	black finish	€ 6.006
FPHO155W	L.155xW.65xH.45 cm	12x G9	40,0 kg	white finish	€ 6.006
FPHO155N	L.155xW.65xH.45 cm	12x G9	40,0 kg	nickel finish	€ 6.676



## Hanging Lamp Round

Art.nr.	Dimensions	Light bulb	Weight	Finish	Price
FPHL80BL	Ø80xH.40 cm	12x G9	18,0 kg	black finish	€ 5.730
FPHL80W	Ø80xH.40 cm	12x G9	18,0 kg	white finish	€ 5.730
FPHL80N	Ø80xH.40 cm	12x G9	18,0 kg	nickel finish	€ 6.375
FPHL100BL	Ø100xH.50 cm	12x G9	24,0 kg	black finish	€ 5.913
FPHL100W	Ø100xH.50 cm	12x G9	24,0 kg	white finish	€ 5.913
FPHL100N	Ø100xH.50 cm	12x G9	24,0 kg	nickel finish	€ 6.564
FPHL120BL	Ø120xH.50 cm	12x G9	40,0 kg	black finish	€ 6.006
FPHL120W	Ø120xH.50 cm	12x G9	40,0 kg	white finish	€ 6.006
FPHL120N	Ø120xH.50 cm	12x G9	40,0 kg	nickel finish	€ 6.754

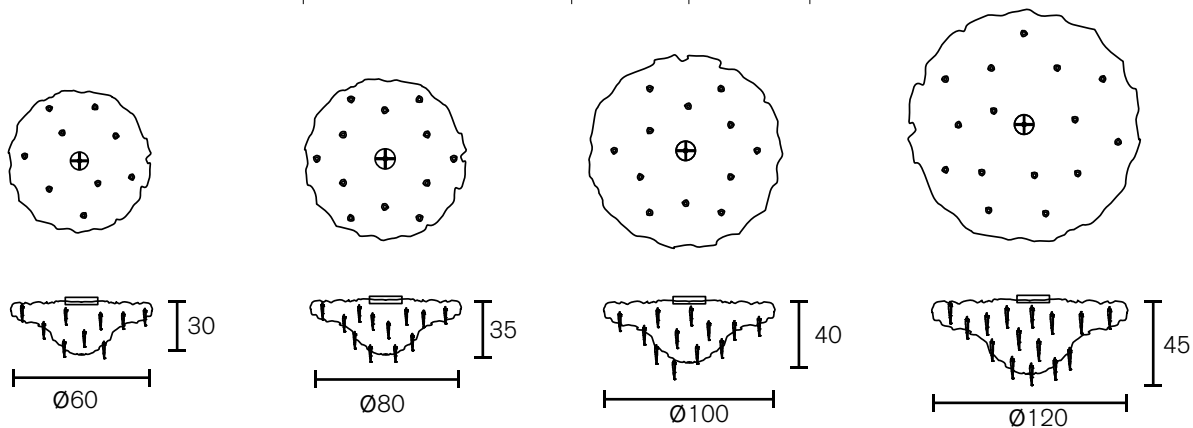


All hanging lamps and chandeliers are supplied with 2 meter stem, 2 meter electrical cable and a ceiling shade.

Specifications and prices are subject to change without prior notice. Prices are exclusive of VAT.

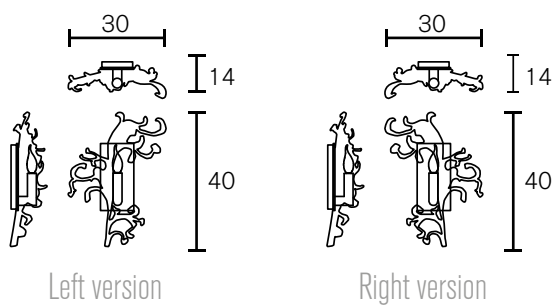
## Ceiling Lamp Round

Art.nr.	Dimensions	Light bulb	Weight	Finish	Price
FPP60BL	Ø60xH.30 cm	9x G9	10,0 kg	black finish	€ 3.342
FPP60W	Ø60xH.30 cm	9x G9	10,0 kg	white finish	€ 3.342
FPP60N	Ø60xH.30 cm	9x G9	10,0 kg	nickel finish	€ 3.714
FPP80BL	Ø80xH.35 cm	12x G9	25,0 kg	black finish	€ 3.573
FPP80W	Ø80xH.35 cm	12x G9	25,0 kg	white finish	€ 3.573
FPP80N	Ø80xH.35 cm	12x G9	25,0 kg	nickel finish	€ 3.969
FPP100BL	Ø100xH.40 cm	12x G9	31,5 kg	black finish	€ 3.783
FPP100W	Ø100xH.40 cm	12x G9	31,5 kg	white finish	€ 3.783
FPP100N	Ø100xH.40 cm	12x G9	31,5 kg	nickel finish	€ 4.272
FPP120BL	Ø120xH.45 cm	15x G9	40,0 kg	black finish	€ 4.016
FPP120W	Ø120xH.45 cm	15x G9	40,0 kg	white finish	€ 4.016
FPP120N	Ø120xH.45 cm	15x G9	40,0 kg	nickel finish	€ 4.759



## Wall Lamp

Art.nr.	Dimensions	Light bulb	Weight	Finish	Price
FPW30BL-L	W.30xH.40xD.14 cm	1x E14	3,0 kg	black finish. left version	€ 1.329
FPW30BL-R	W.30xH.40xD.14 cm	1x E14	3,0 kg	black finish. right version	€ 1.329
FPW30W-L	W.30xH.40xD.14 cm	1x E14	3,0 kg	white finish. left version	€ 1.329
FPW30W-R	W.30xH.40xD.14 cm	1x E14	3,0 kg	white finish. right version	€ 1.329
FPW30N-L	W.30xH.40xD.14 cm	1x E14	3,0 kg	nickel finish. left version	€ 1.479
FPW30N-R	W.30xH.40xD.14 cm	1x E14	3,0 kg	nickel finish. right version	€ 1.479

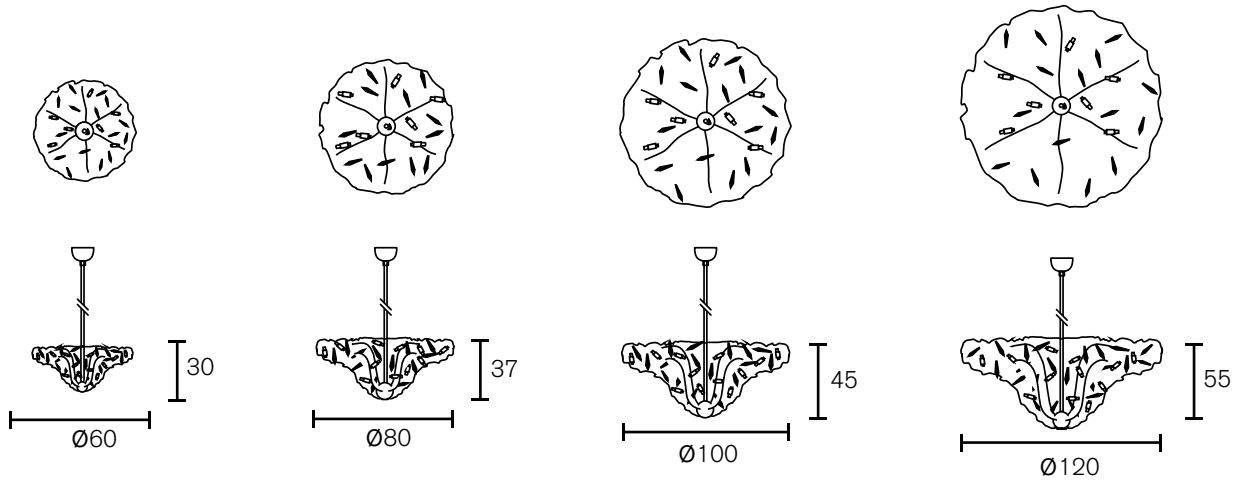


# Collection Icy Lady 2005



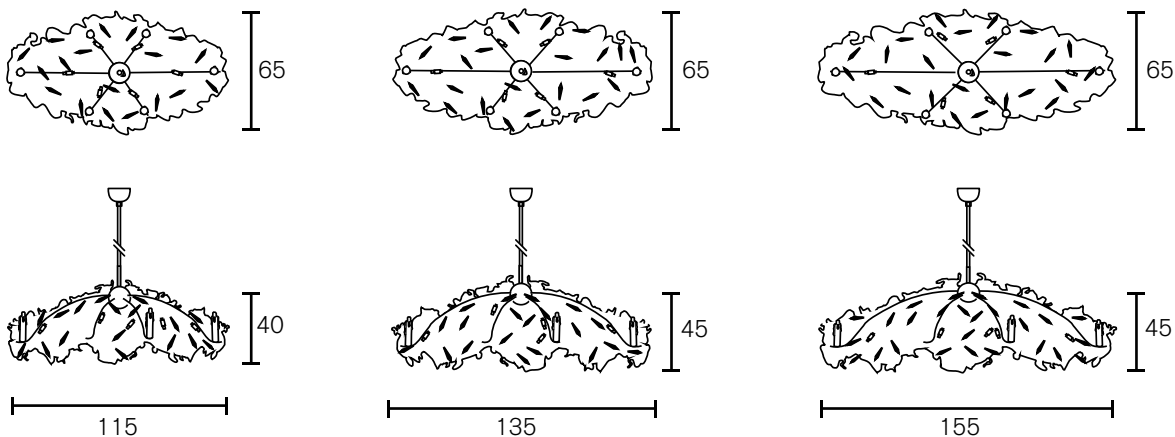
## Chandelier Round Upside-down

Art.nr.	Dimensions	Light bulb	Weight	Finish	Price
ILCUSD60BL	Ø60xH.30 cm	10x G9	28,0 kg	black finish	€ 5.639
ILCUSD60W	Ø60xH.30 cm	10x G9	28,0 kg	white finish	€ 5.639
ILCUSD60N	Ø60xH.30 cm	10x G9	28,0 kg	nickel finish	€ 5.985
ILCUSD80BL	Ø80xH.37 cm	12x G9	29,5 kg	black finish	€ 6.094
ILCUSD80W	Ø80xH.37 cm	12x G9	29,5 kg	white finish	€ 6.094
ILCUSD80N	Ø80xH.37 cm	12x G9	29,5 kg	nickel finish	€ 6.770
ILCUSD100BL	Ø100xH.45 cm	15x G9	36,0 kg	black finish	€ 6.254
ILCUSD100W	Ø100xH.45 cm	15x G9	36,0 kg	white finish	€ 6.254
ILCUSD100N	Ø100xH.45 cm	15x G9	36,0 kg	nickel finish	€ 6.947
ILCUSD120BL	Ø120xH.55 cm	18x G9	46,0 kg	black finish	€ 6.409
ILCUSD120W	Ø120xH.55 cm	18x G9	46,0 kg	white finish	€ 6.409
ILCUSD120N	Ø120xH.55 cm	18x G9	46,0 kg	nickel finish	€ 8.599



## Chandelier Oval

Art.nr.	Dimensions	Light bulb	Weight	Finish	Price
ILCO115BL	L.115xW.65xH.40 cm	12x G9	27,0 kg	black finish	€ 6.094
ILCO115W	L.115xW.65xH.40 cm	12x G9	27,0 kg	white finish	€ 6.094
ILCO115N	L.115xW.65xH.40 cm	12x G9	27,0 kg	nickel finish	€ 6.770
ILCO135BL	L.135xW.65xH.45 cm	12x G9	30,0 kg	black finish	€ 6.254
ILCO135W	L.135xW.65xH.45 cm	12x G9	30,0 kg	white finish	€ 6.254
ILCO135N	L.135xW.65xH.45 cm	12x G9	30,0 kg	nickel finish	€ 6.947
ILCO155BL	L.155xW.65xH.45 cm	12x G9	40,0 kg	black finish	€ 6.409
ILCO155W	L.155xW.65xH.45 cm	12x G9	40,0 kg	white finish	€ 6.409
ILCO155N	L.155xW.65xH.45 cm	12x G9	40,0 kg	nickel finish	€ 7.117

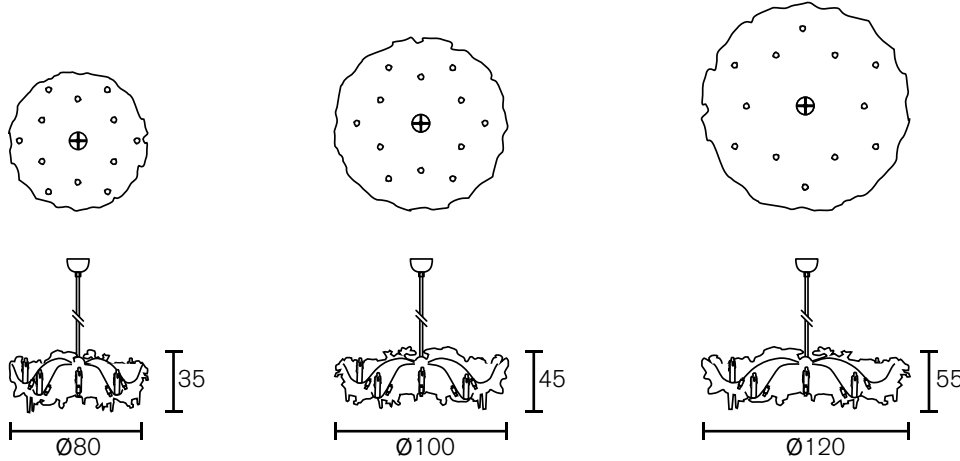


All hanging lamps and chandeliers are supplied with 2 meter stem, 2 meter electrical cable and a ceiling shade. All crystals are original Swarovski crystals.

Specifications and prices are subject to change without prior notice. Prices are exclusive of VAT.

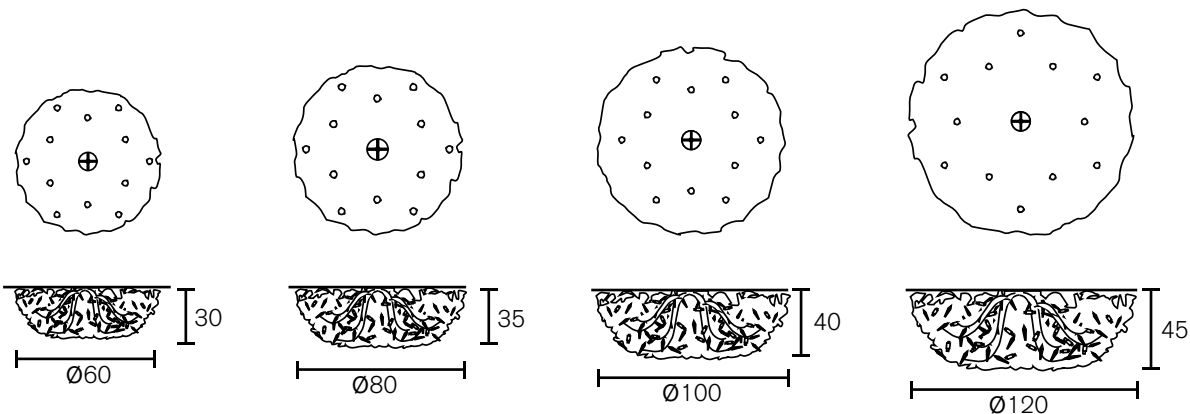
## Hanging Lamp Round

Art.nr.	Dimensions	Light bulb	Weight	Finish	Price
ILC80BL	Ø80xH.35 cm	12x G9	23,0 kg	black finish	€ 5.824
ILC80W	Ø80xH.35 cm	12x G9	23,0 kg	white finish	€ 5.824
ILC80N	Ø80xH.35 cm	12x G9	23,0 kg	nickel finish	€ 6.467
ILC100BL	Ø100xH.45 cm	12x G9	34,0 kg	black finish	€ 5.978
ILC100W	Ø100xH.45 cm	12x G9	34,0 kg	white finish	€ 5.978
ILC100N	Ø100xH.45 cm	12x G9	34,0 kg	nickel finish	€ 6.647
ILC120BL	Ø120xH.55 cm	12x G9	52,0 kg	black finish	€ 6.094
ILC120W	Ø120xH.55 cm	12x G9	52,0 kg	white finish	€ 6.094
ILC120N	Ø120xH.55 cm	12x G9	52,0 kg	nickel finish	€ 6.953



## Ceiling Lamp Round

Art.nr.	Dimensions	Light bulb	Weight	Finish	Price
ILP60BL	Ø60xH.30 cm	10x G9	13,0 kg	black finish	€ 3.641
ILP60W	Ø60xH.30 cm	10x G9	13,0 kg	white finish	€ 3.641
ILP60N	Ø60xH.30 cm	10x G9	13,0 kg	nickel finish	€ 4.045
ILP80BL	Ø80xH.35 cm	12x G9	18,0 kg	black finish	€ 3.883
ILP80W	Ø80xH.35 cm	12x G9	18,0 kg	white finish	€ 3.883
ILP80N	Ø80xH.35 cm	12x G9	18,0 kg	nickel finish	€ 4.357
ILP100BL	Ø100xH.40 cm	12x G9	26,0 kg	black finish	€ 4.116
ILP100W	Ø100xH.40 cm	12x G9	26,0 kg	white finish	€ 4.116
ILP100N	Ø100xH.40 cm	12x G9	26,0 kg	nickel finish	€ 4.720
ILP120BL	Ø120xH.45 cm	15x G9	35,0 kg	black finish	€ 4.359
ILP120W	Ø120xH.45 cm	15x G9	35,0 kg	white finish	€ 4.359
ILP120N	Ø120xH.45 cm	15x G9	35,0 kg	nickel finish	€ 7.342



All hanging lamps and chandeliers are supplied with 2 meter stem, 2 meter electrical cable and a ceiling shade. All crystals are original Swarovski crystals.

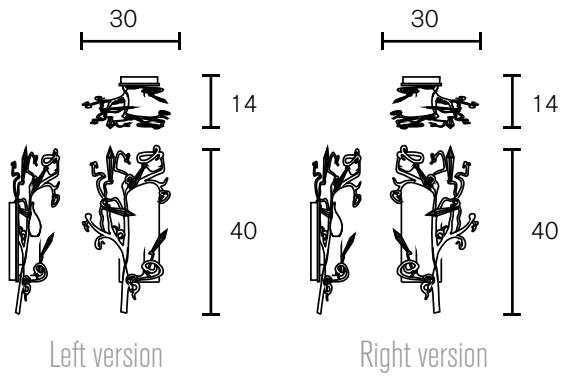
Specifications and prices are subject to change without prior notice. Prices are exclusive of VAT.

# Icy Lady



## Wall Lamp

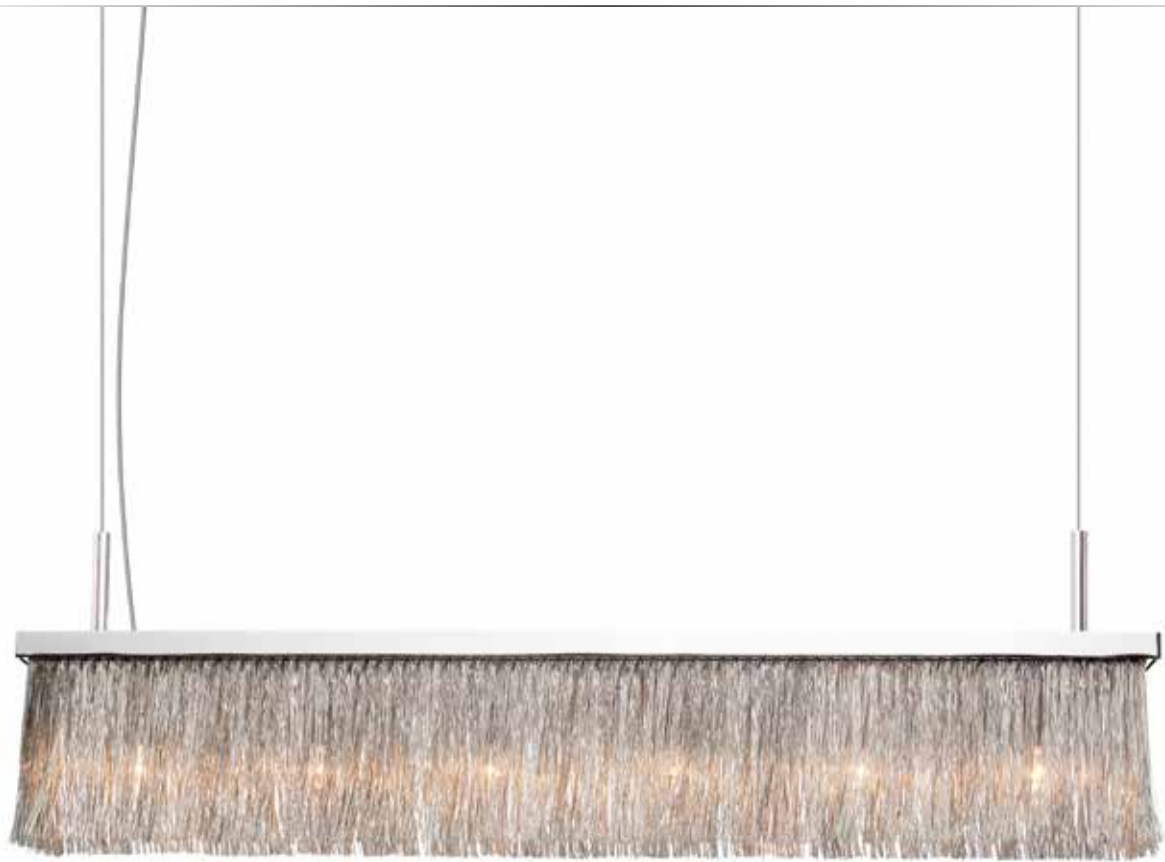
Art.nr.	Dimensions	Light bulb	Weight	Finish	Price
ILW30BL-L	W.30xH.40xD.14 cm	1x E14	3,0 kg	black finish. left version	€ 1.317
ILW30BL-R	W.30xH.40xD.14 cm	1x E14	3,0 kg	black finish. right version	€ 1.317
ILW30W-L	W.30xH.40xD.14 cm	1x E14	3,0 kg	white finish. left version	€ 1.317
ILW30W-R	W.30xH.40xD.14 cm	1x E14	3,0 kg	white finish. right version	€ 1.317
ILW30N-L	W.30xH.40xD.14 cm	1x E14	3,0 kg	nickel finish. left version	€ 1.458
ILW30N-R	W.30xH.40xD.14 cm	1x E14	3,0 kg	nickel finish. right version	€ 1.458



All crystals are original Swarovski crystals.

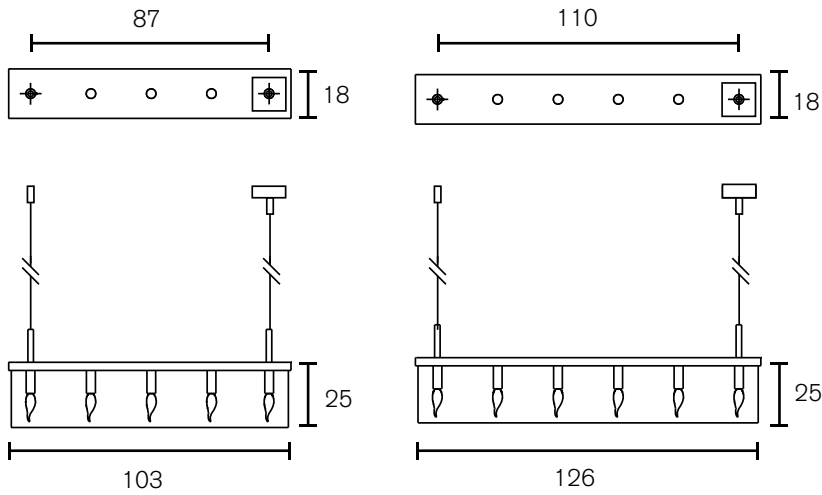
Specifications and prices are subject to change without prior notice. Prices are exclusive of VAT.

# Collection Broom 2001



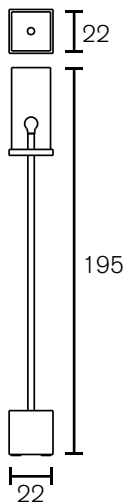
## Hanging Lamp

Art.nr.	Dimensions	Light bulb	Weight	Finish	Price
BC103ST	L.103xW.18xH.25 cm	5x E14	18,0 kg	stainless steel	€ 5.002
BC126ST	L.126xW.18xH.25 cm	6x E14	22,0 kg	stainless steel	€ 5.604



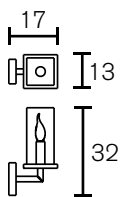
## Floor Lamp

Art.nr.	Dimensions	Light bulb	Weight	Finish	Price
BF195ST	L.22xW.22xH.195 cm	1x E27	32,0 kg	stainless steel	€ 3.293



## Wall Lamp

Art.nr.	Dimensions	Light bulb	Weight	Finish	Price
BW13ST	W.13xH.32xD.17 cm	1x E14	3,0 kg	stainless steel	€ 1.380



All hanging lamps are supplied with 2 meter steel- and electrical cable and a ceiling shade. Long ceiling shade with two steel cable connections available on request.  
All floor lamps are supplied with a dimmer.

Specifications and prices are subject to change without prior notice. Prices are exclusive of VAT.

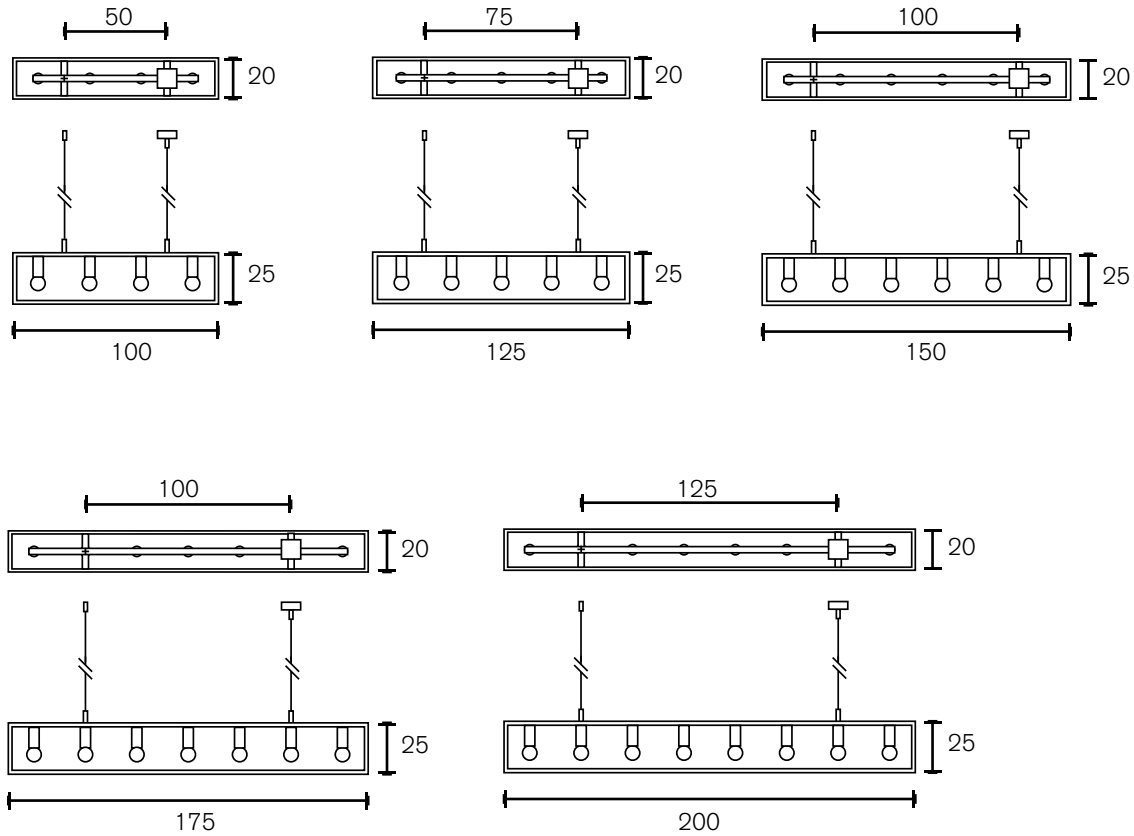


# Collection Rhapsody In Blue 2000



## Hanging Lamp

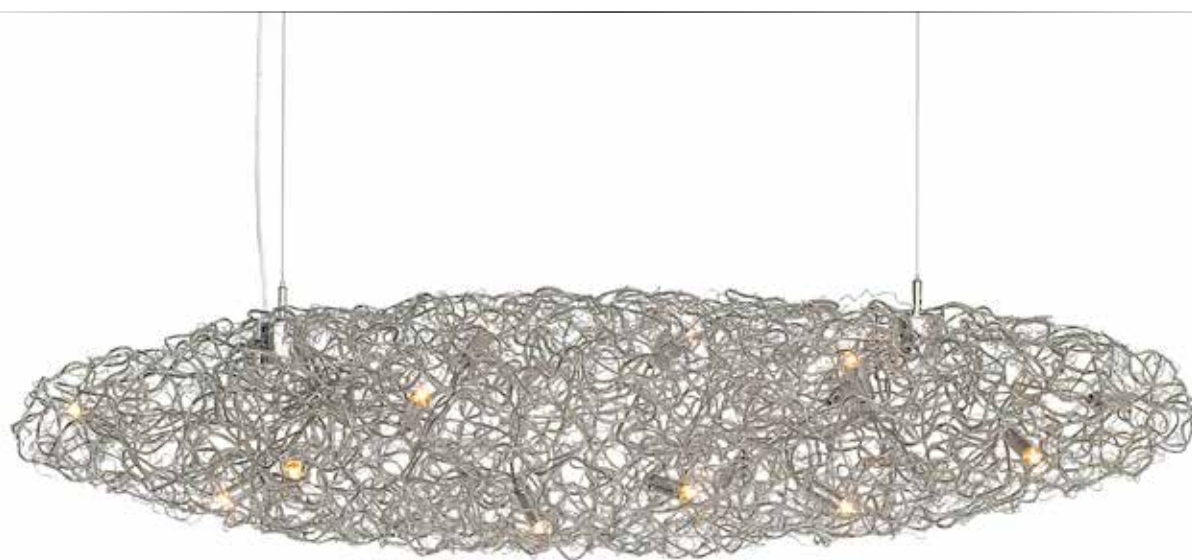
Art.nr.	Dimensions	Light bulb	Weight	Finish	Price
RH100ST	L.100xW.20xH.25 cm	4x E27	25,0 kg	stainless steel	€ 5.774
RH125ST	L.125xW.20xH.25 cm	5x E27	30,0 kg	stainless steel	€ 6.111
RH150ST	L.150xW.20xH.25 cm	6x E27	33,0 kg	stainless steel	€ 6.399
RH175ST	L.175xW.20xH.25 cm	7x E27	35,0 kg	stainless steel	€ 6.818
RH200ST	L.200xW.20xH.25 cm	8x E27	50,0 kg	stainless steel	€ 7.550



All hanging lamps are supplied with 2 meter steel- and electrical cable and a ceiling shade. Long ceiling shade with two steel cable connections available on request.

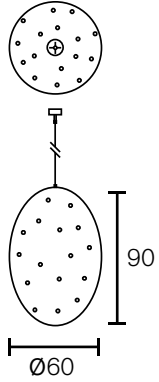
Specifications and prices are subject to change without prior notice. Prices are exclusive of VAT.

# Collection Crystal Waters 1999



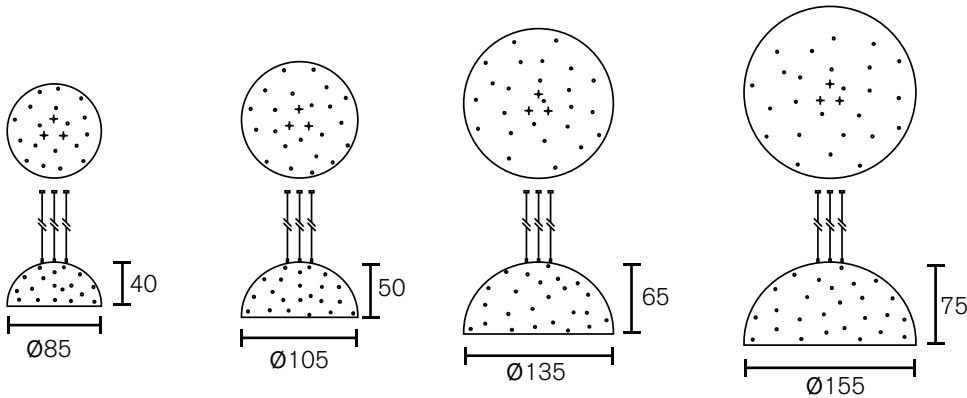
## Hanging Lamp

Art.nr.	Dimensions	Light bulb	Weight	Finish	Price
CWH60NH	Ø60xH.90 cm	16x G9	12,0 kg	nickel finish	€ 4.002



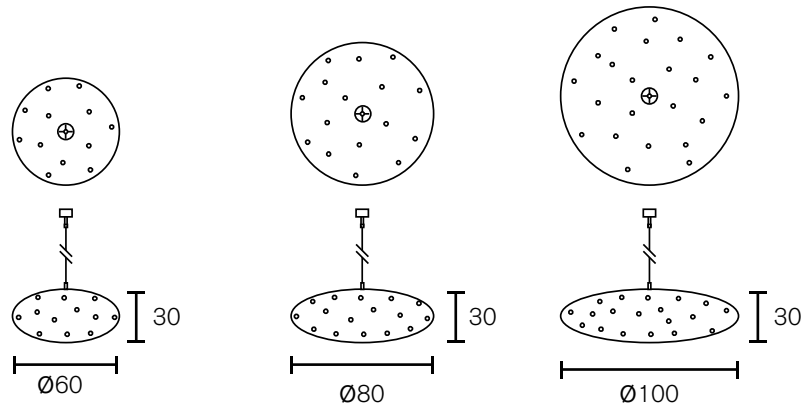
## Hanging Lamp Hood

Art.nr.	Dimensions	Light bulb	Weight	Finish	Price
CWS85NH	Ø85xH.40 cm	18x G9	18,0 kg	nickel finish	€ 5.922
CWS105NH	Ø105xH.50 cm	22x G9	27,0 kg	nickel finish	€ 6.599
CWS135NH	Ø135xH.65 cm	24x G9	42,0 kg	nickel finish	€ 7.448
CWS155NH	Ø155xH.75 cm	26x G9	55,0 kg	nickel finish	€ 8.289



## Hanging Lamp Ufo

Art.nr.	Dimensions	Light bulb	Weight	Finish	Price
CWH59NH	Ø60xH.30 cm	12x G9	7,0 kg	nickel finish	€ 3.384
CWH80NH	Ø80xH.30 cm	16x G9	10,0 kg	nickel finish	€ 3.883
CWH100NH	Ø100xH.30 cm	20x G9	13,0 kg	nickel finish	€ 4.445

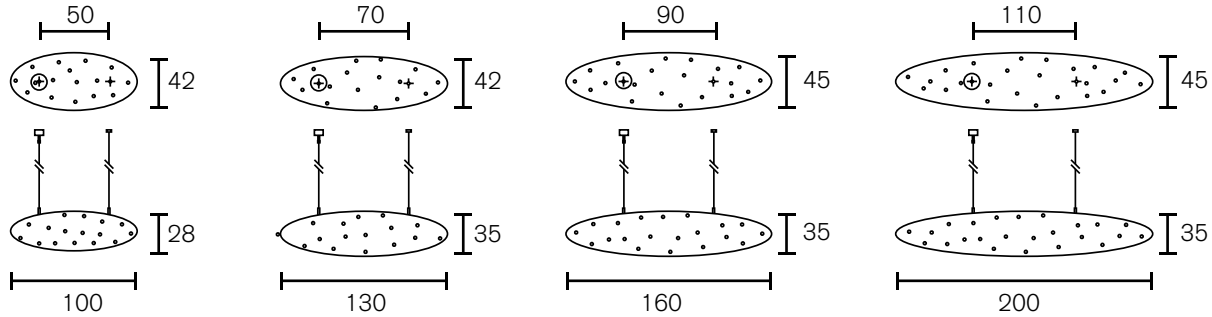


All hanging lamps are supplied with 2 meter electrical cable, 2 meter steel cable and a ceiling shade.

Specifications and prices are subject to change without prior notice. Prices are exclusive of VAT.

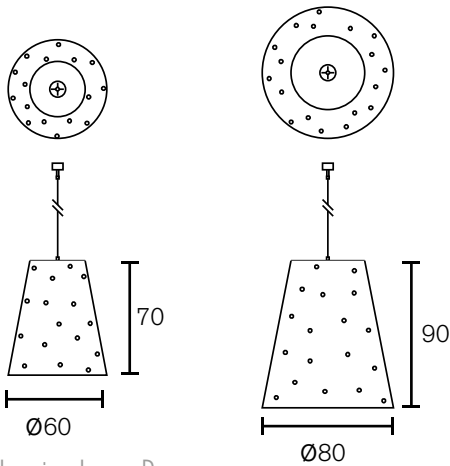
## Hanging Lamp Cigar

Art.nr.	Dimensions	Light bulb	Weight	Finish	Price
CWS100NH	L.100xW.42xH.28 cm	12x G9	6,0 kg	nickel finish	€ 3.541
CWS130NH	L.130xW.42xH.35 cm	16x G9	8,0 kg	nickel finish	€ 3.728
CWS160NH	L.160xW.45xH.35 cm	22x G9	12,0 kg	nickel finish	€ 4.457
CWS200NH	L.200xW.45xH.35 cm	26x G9	15,0 kg	nickel finish	€ 4.672



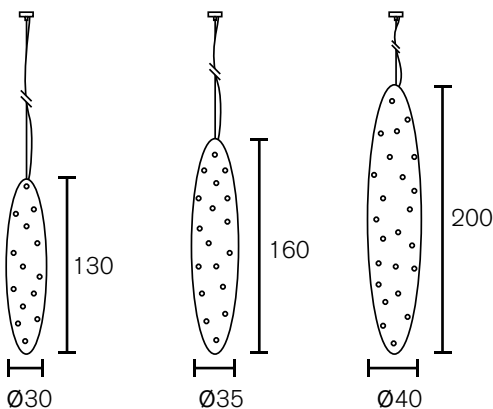
## Hanging Lamp Shade

Art.nr.	Dimensions	Light bulb	Weight	Finish	Price
CWSHADE60NH	Ø60xH.70 cm	16x G9	25,0 kg	nickel finish	€ 5.263
CWSHADE80NH	Ø80xH.90 cm	18x G9	35,0 kg	nickel finish	€ 5.922



## Hanging Lamp Drop

Art.nr.	Dimensions	Light bulb	Weight	Finish	Price
CWH130NH	Ø30xH.130 cm	14x G9	9,0 kg	nickel finish	€ 3.728
CWH160NH	Ø35xH.160 cm	18x G9	11,0 kg	nickel finish	€ 4.457
CWH200NH	Ø40xH.200 cm	24x G9	15,0 kg	nickel finish	€ 4.674

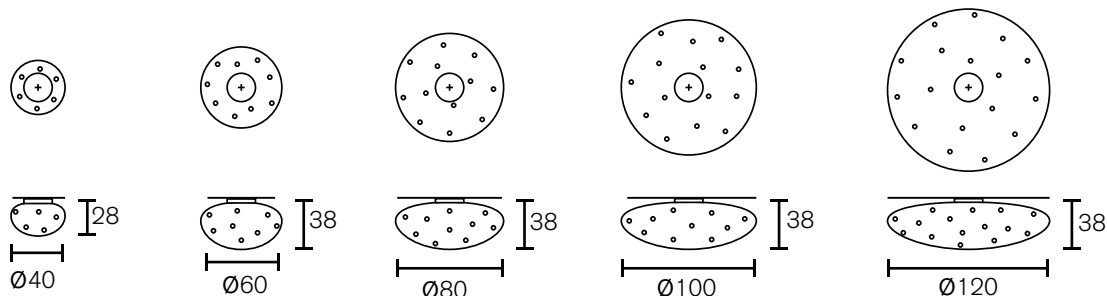


All hanging lamps are supplied with 2 meter electrical cable, 2 meter steel cable and a ceiling shade.

Specifications and prices are subject to change without prior notice. Prices are exclusive of VAT.

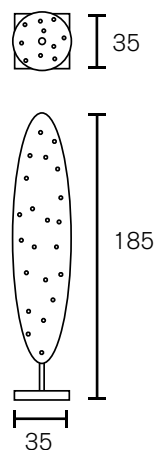
## Ceiling Lamp Round

Art.nr.	Dimensions	Light bulb	Weight	Finish	Price
CWP40NH	Ø40xH.28 cm	7x G9	4,0 kg	nickel finish	€ 2.441
CWP60NH	Ø60xH.38 cm	10x G9	5,0 kg	nickel finish	€ 3.054
CWP80NH	Ø80xH.38 cm	13x G9	10,0 kg	nickel finish	€ 3.417
CWP100NH	Ø100xH.38 cm	16x G9	12,0 kg	nickel finish	€ 3.904
CWP120NH	Ø120xH.38 cm	17x G9	16,0 kg	nickel finish	€ 4.391



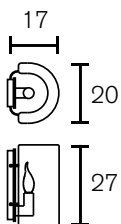
## Floor Lamp

Art.nr.	Dimensions	Light bulb	Weight	Finish	Price
CWF180NH	Ø35xH.185 cm	20x G9	22,0 kg	nickel finish	€ 4.030



## Wall Lamp

Art.nr.	Dimensions	Light bulb	Weight	Finish	Price
150CW1N	W.20xH.27xD.17 cm	1x E14	3,0 kg	nickel finish	€ 1.077



All floor lamps are supplied with a dimmer.

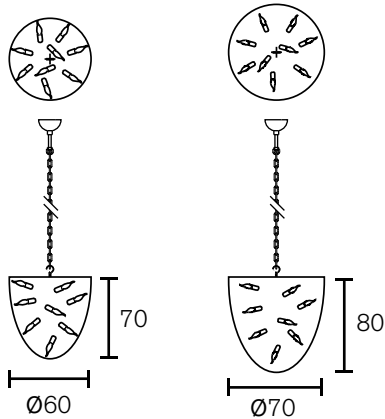
Specifications and prices are subject to change without prior notice. Prices are exclusive of VAT.

# Collection Delphinium 1998



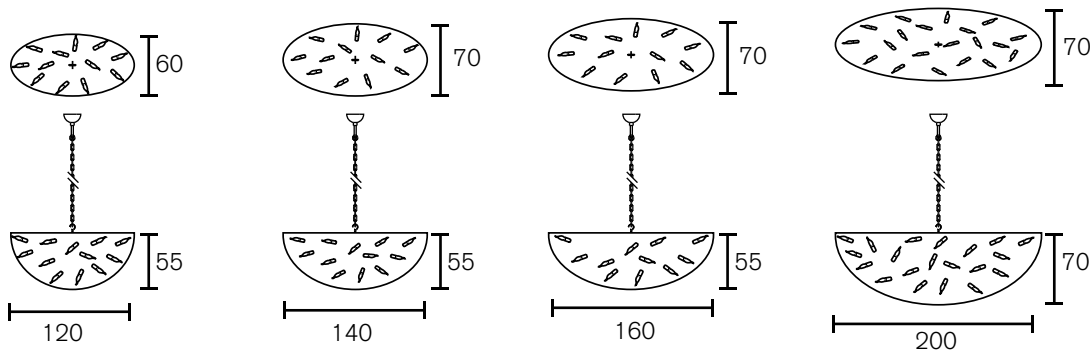
## Chandelier Conical

Art.nr.	Dimensions	Light bulb	Weight	Finish	Price
DCC60N	Ø60xH.70 cm	8x E14	20,0 kg	nickel finish	€ 5.263
DCC70N	Ø70xH.80 cm	10x E14	25,0 kg	nickel finish	€ 6.068



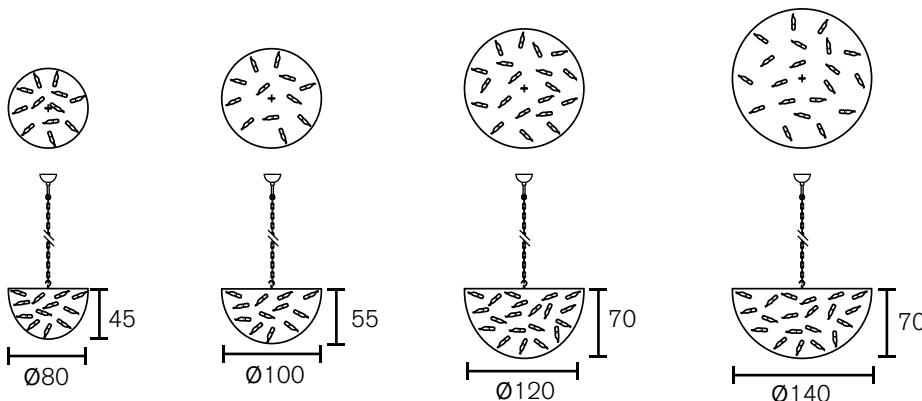
## Chandelier Oval

Art.nr.	Dimensions	Light bulb	Weight	Finish	Price
DOC60N	L.120xW.60xH.55 cm	12x E14	27,0 kg	nickel finish	€ 6.873
DOC70N	L.140xW.70xH.55 cm	12x E14	29,0 kg	nickel finish	€ 7.112
DOC80N	L.160xW.70xH.55 cm	16x E14	40,0 kg	nickel finish	€ 7.671
DOC100N	L.200xW.70xH.70 cm	20x E14	58,0 kg	nickel finish	€ 8.560



## Chandelier Round

Art.nr.	Dimensions	Light bulb	Weight	Finish	Price
DC80N	Ø80xH.45 cm	10x E14	21,0 kg	nickel finish	€ 6.512
DC100N	Ø100xH.55 cm	12x E14	27,0 kg	nickel finish	€ 6.873
DC120N	Ø120xH.70 cm	16x E14	35,0 kg	nickel finish	€ 7.874
DC140N	Ø140xH.70 cm	20x E14	67,0 kg	nickel finish	€ 8.909



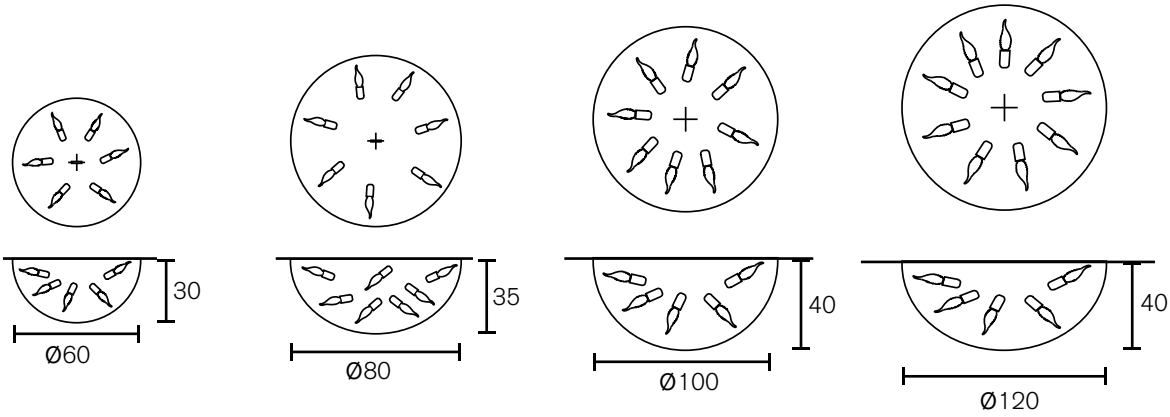
All chandeliers are supplied with 1,7 meter chain, 2 meter electrical cable and a ceiling shade.

Specifications and prices are subject to change without prior notice. Prices are exclusive of VAT.



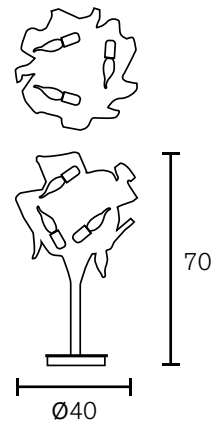
## Ceiling Lamp Round

Art.nr.	Dimensions	Light bulb	Weight	Finish	Price
DP60N	Ø60xH.30 cm	5x E14	11,0 kg	nickel finish	€ 3.899
DP80N	Ø80xH.35 cm	6x E14	17,0 kg	nickel finish	€ 4.130
DP100N	Ø100xH.40 cm	8x E14	26,0 kg	nickel finish	€ 4.488
DP120N	Ø120xH.40 cm	10x E14	40,0 kg	nickel finish	€ 4.987



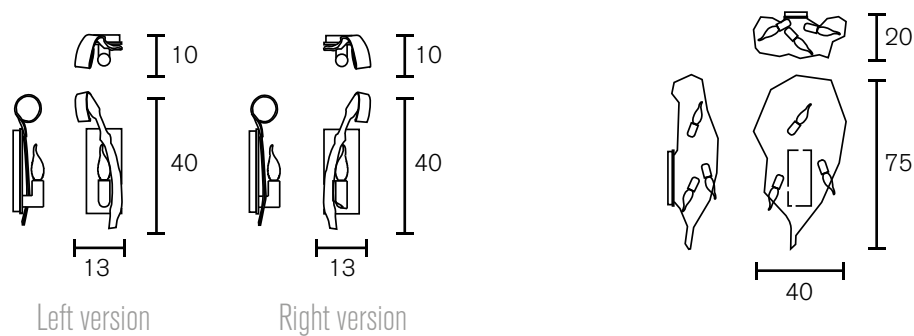
## Table Lamp

Art.nr.	Dimensions	Light bulb	Weight	Finish	Price
DT40ST	Ø40xH.70 cm	3x E14	10,0 kg	stainless steel	€ 2.434



## Wall Lamp

Art.nr.	Dimensions	Light bulb	Weight	Finish	Price
DW20N-L	W.13xH.40xD.10 cm	1x E14	3,0 kg	nickel finish. left version	€ 1.212
DW20N-R	W.13xH.40xD.10 cm	1x E14	3,0 kg	nickel finish. right version	€ 1.212
DW35N	W.40xH.75xD.20 cm	3x E14	7,0 kg	nickel finish	€ 1.894



The table lamp is supplied with a dimmer.

Specifications and prices are subject to change without prior notice. Prices are exclusive of VAT.



DELPHINIUM WALL LAMP DW35N

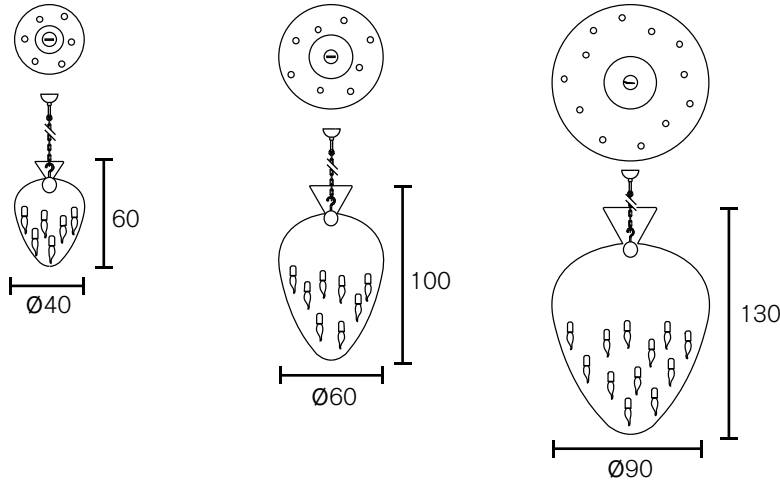
# Collection Hollywood 1996

---



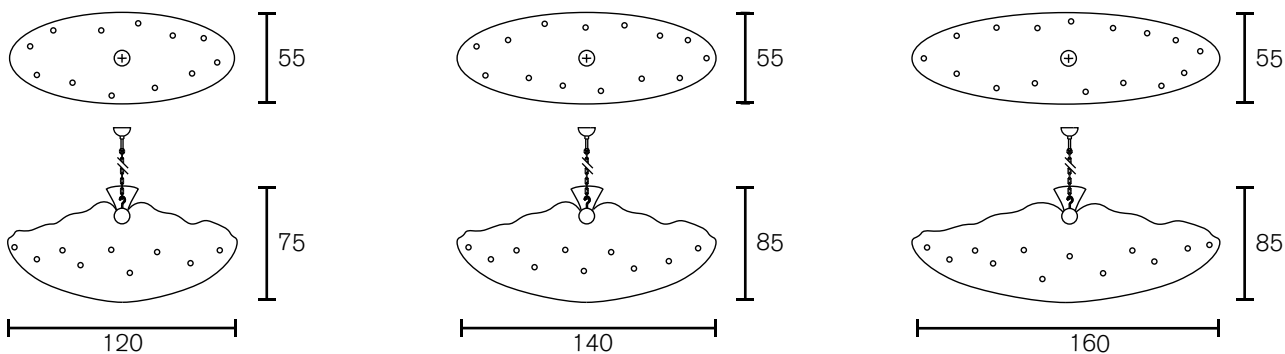
## Chandelier Conical

Art.nr.	Dimensions	Light bulb	Weight	Finish	Price
HCC40W	Ø40xH.60 cm	6x E14	6,0 kg	white finish	€ 4.404
HCC40N	Ø40xH.60 cm	6x E14	6,0 kg	nickel finish	€ 4.888
HCC60W	Ø60xH.100 cm	8x E14	16,0 kg	white finish	€ 4.622
HCC60N	Ø60xH.100 cm	8x E14	16,0 kg	nickel finish	€ 5.128
HCC90W	Ø90xH.130 cm	16x E14	27,0 kg	white finish	€ 7.642
HCC90N	Ø90xH.130 cm	16x E14	27,0 kg	nickel finish	€ 8.495



## Chandelier Conical Oval

Art.nr.	Dimensions	Light bulb	Weight	Finish	Price
HCCO120W	L.120xW.55xH.75 cm	12x E14	23,0 kg	white finish	€ 6.982
HCCO120N	L.120xW.55xH.75 cm	12x E14	23,0 kg	nickel finish	€ 7.730
HCCO140W	L.140xW.55xH.85 cm	14x E14	26,0 kg	white finish	€ 7.481
HCCO140N	L.140xW.55xH.85 cm	14x E14	26,0 kg	nickel finish	€ 8.228
HCCO160W	L.160xW.55xH.85 cm	14x E14	30,0 kg	white finish	€ 8.228
HCCO160N	L.160xW.55xH.85 cm	14x E14	30,0 kg	nickel finish	€ 8.976

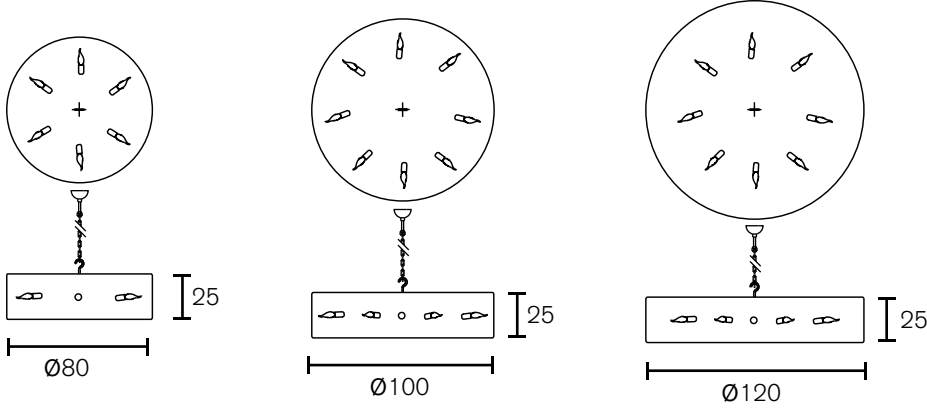


All chandeliers are supplied with 1,7 meter chain, 2 meter electrical cable and a ceiling shade.

Specifications and prices are subject to change without prior notice. Prices are exclusive of VAT.

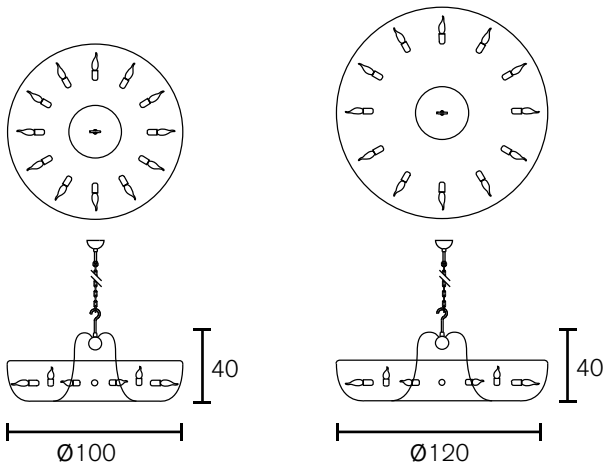
## Chandelier Round

Art.nr.	Dimensions	Light bulb	Weight	Finish	Price
HC80W	Ø80xH.25 cm	6x E14	11,0 kg	white finish	€ 4.445
HC80N	Ø80xH.25 cm	6x E14	11,0 kg	nickel finish	€ 4.937
HC100W	Ø100xH.25 cm	8x E14	25,0 kg	white finish	€ 4.670
HC100N	Ø100xH.25 cm	8x E14	25,0 kg	nickel finish	€ 5.193
HC120W	Ø120xH.25 cm	10x E14	28,0 kg	white finish	€ 5.243
HC120N	Ø120xH.25 cm	10x E14	28,0 kg	nickel finish	€ 5.828



## Chandelier Candlestick Round

Art.nr.	Dimensions	Light bulb	Weight	Finish	Price
HCCH10X10W	Ø100xH.40 cm	12x E14	21,0 kg	white finish	€ 5.481
HCCH10X10N	Ø100xH.40 cm	12x E14	21,0 kg	nickel finish	€ 6.086
HCCH12X12W	Ø120xH.40 cm	12x E14	25,0 kg	white finish	€ 6.249
HCCH12X12N	Ø120xH.40 cm	12x E14	25,0 kg	nickel finish	€ 6.942

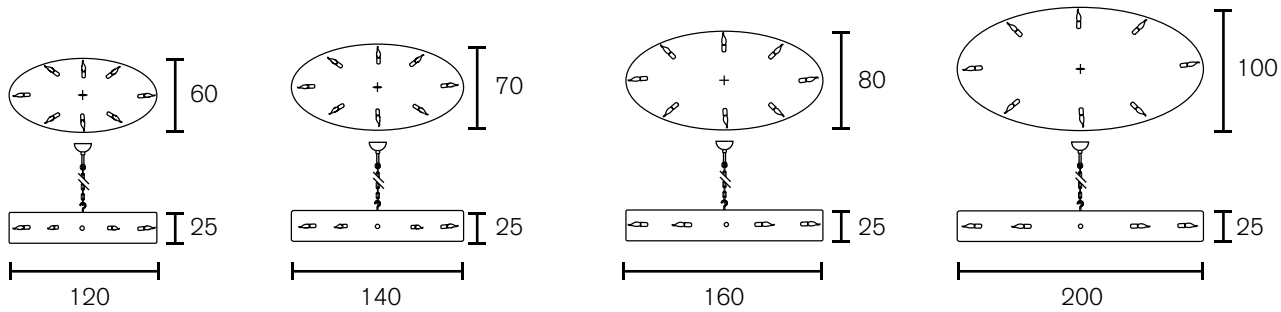


All chandeliers are supplied with 1,7 meter chain, 2 meter electrical cable and a ceiling shade.

Specifications and prices are subject to change without prior notice. Prices are exclusive of VAT.

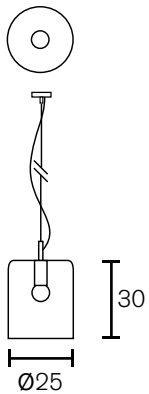
## Chandelier Oval

Art.nr.	Dimensions	Light bulb	Weight	Finish	Price
HOC60W	L.120xW.60xH.25 cm	8x E14	13,0 kg	white finish	€ 4.214
HOC60N	L.120xW.60xH.25 cm	8x E14	13,0 kg	nickel finish	€ 4.679
HOC70W	L.140xW.70xH.25 cm	8x E14	17,0 kg	white finish	€ 4.404
HOC70N	L.140xW.70xH.25 cm	8x E14	17,0 kg	nickel finish	€ 4.888
HOC80W	L.160xW.80xH.25 cm	8x E14	24,0 kg	white finish	€ 4.604
HOC80N	L.160xW.80xH.25 cm	8x E14	24,0 kg	nickel finish	€ 5.120
HOC100W	L.200xW.100xH.25 cm	12x E14	38,0 kg	white finish	€ 6.914
HOC100N	L.200xW.100xH.25 cm	12x E14	38,0 kg	nickel finish	€ 7.679



## Hanging Lamp Single

Art.nr.	Dimensions	Light bulb	Weight	Finish	Price
HH25N	Ø25xH.30 cm	1x E27	4,0 kg	nickel finish	€ 1.955
HH25N-3IL	L.90xW.25xH.30 cm	3x E27	34,0 kg	nickel finish	€ 5.067
HH25N-4IL	L.145xW.25xH.30 cm	4x E27	37,0 kg	nickel finish	€ 5.416
HH25N-5IL	L.190xW.25xH.30 cm	5x E27	40,0 kg	nickel finish	€ 5.854
HH25N-6IL	L.235xW.25xH.30 cm	6x E27	43,0 kg	nickel finish	€ 6.342

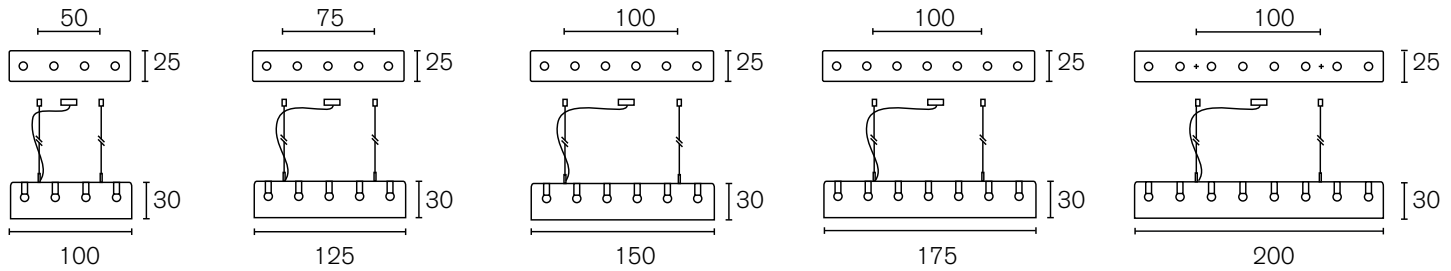


All chandeliers are supplied with 1,7 meter chain, 2 meter electrical cable and a ceiling shade.  
All hanging lamps are supplied with 2 meter electrical cable, 2 meter steel cable and a ceiling shade.

Specifications and prices are subject to change without prior notice. Prices are exclusive of VAT.

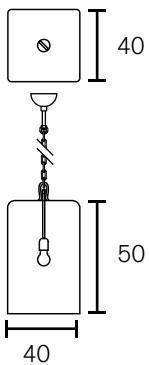
## Hanging Lamp Long

Art.nr.	Dimensions	Light bulb	Weight	Finish	Price
HHL100W	L.100xW.25xH.30 cm	4x E27	13,0 kg	white finish	€ 4.878
HHL100N	L.100xW.25xH.30 cm	4x E27	13,0 kg	nickel finish	€ 4.878
HHL125W	L.125xW.25xH.30 cm	5x E27	18,0 kg	white finish	€ 5.367
HHL125N	L.125xW.25xH.30 cm	5x E27	18,0 kg	nickel finish	€ 5.367
HHL150W	L.150xW.25xH.30 cm	6x E27	18,0 kg	white finish	€ 5.854
HHL150N	L.150xW.25xH.30 cm	6x E27	18,0 kg	nickel finish	€ 5.854
HHL175W	L.175xW.25xH.30 cm	7x E27	21,0 kg	white finish	€ 6.342
HHL175N	L.175xW.25xH.30 cm	7x E27	21,0 kg	nickel finish	€ 6.342
HHL200W	L.200xW.25xH.30 cm	8x E27	25,0 kg	white finish	€ 6.829
HHL200N	L.200xW.25xH.30 cm	8x E27	25,0 kg	nickel finish	€ 6.829



## Hanging Lamp Block

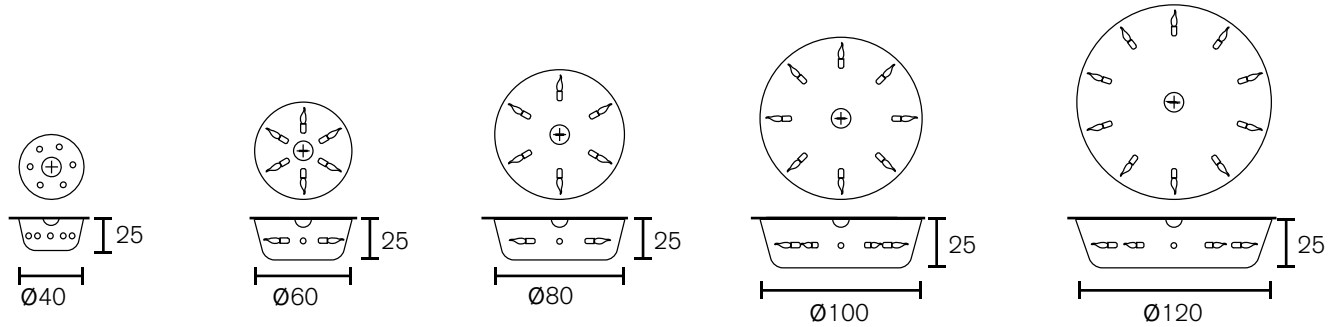
Art.nr.	Dimensions	Light bulb	Weight	Finish	Price
HCC50W	L.40xW.40xH.50 cm	1x E27	13,0 kg	white finish	€ 2.611
HCC50N	L.40xW.40xH.50 cm	1x E27	13,0 kg	nickel finish	€ 2.896



All hanging lamps are supplied with 2 meter electrical cable, 2 meter steel cable and a ceiling shade.  
 The Hollywood Hanging Lamp Long is supplied with a small ceiling shade.  
 Long ceiling shade with two steel cable connections available on request.  
 The Hanging Lamp Block is supplied with 1,7 meter chain, 2 meter electrical cable and a ceiling shade.

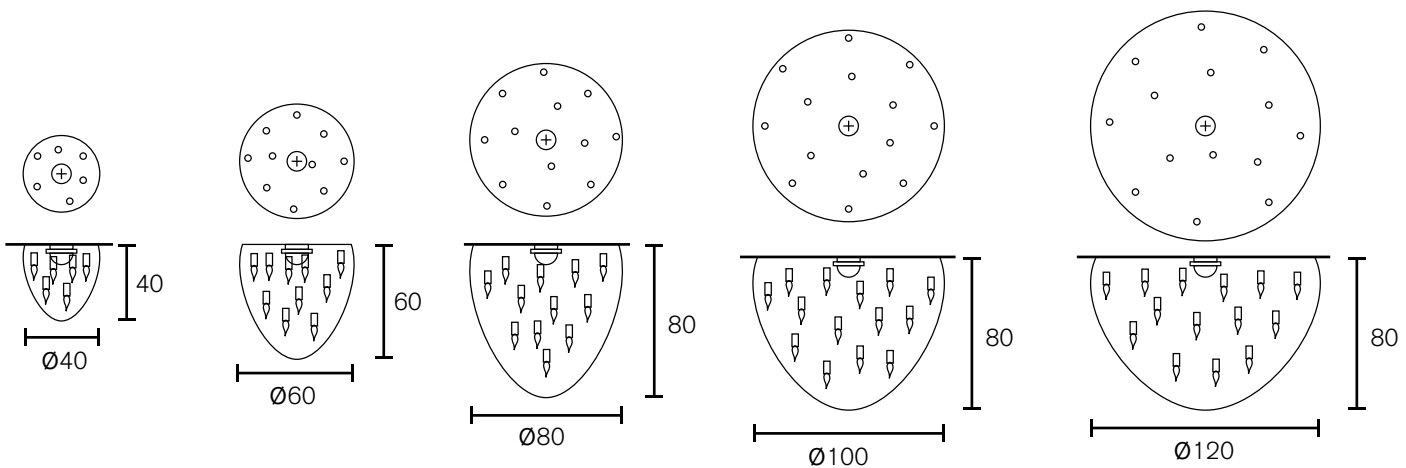
## Ceiling Lamp Round

Art.nr.	Dimensions	Light bulb	Weight	Finish	Price
HP40NH	Ø40xH.25 cm	6x G9	3,0 kg	nickel finish	€ 2.865
HP60W	Ø60xH.25 cm	6x E14	6,0 kg	white finish	€ 3.008
HP60N	Ø60xH.25 cm	6x E14	6,0 kg	nickel finish	€ 3.342
HP80W	Ø80xH.25 cm	6x E14	10,0 kg	white finish	€ 3.211
HP80N	Ø80xH.25 cm	6x E14	10,0 kg	nickel finish	€ 3.573
HP100W	Ø100xH.25 cm	8x E14	16,0 kg	white finish	€ 3.417
HP100N	Ø100xH.25 cm	8x E14	16,0 kg	nickel finish	€ 3.798
HP120W	Ø120xH.25 cm	10x E14	24,0 kg	white finish	€ 4.334
HP120N	Ø120xH.25 cm	10x E14	24,0 kg	nickel finish	€ 4.811



## Ceiling Chandelier

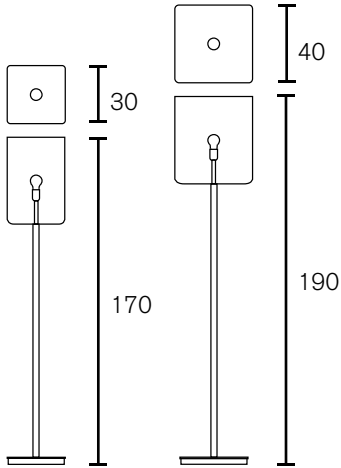
Art.nr.	Dimensions	Light bulb	Weight	Finish	Price
HPH40W	Ø40xH.40 cm	6x E14	5,0 kg	white finish	€ 2.868
HPH40N	Ø40xH.40 cm	6x E14	5,0 kg	nickel finish	€ 3.367
HPH60W	Ø60xH.60 cm	10x E14	8,0 kg	white finish	€ 3.242
HPH60N	Ø60xH.60 cm	10x E14	8,0 kg	nickel finish	€ 3.990
HPH80W	Ø80xH.80 cm	12x E14	11,0 kg	white finish	€ 3.741
HPH80N	Ø80xH.80 cm	12x E14	11,0 kg	nickel finish	€ 4.738
HPH100W	Ø100xH.80 cm	14x E14	15,0 kg	white finish	€ 4.239
HPH100N	Ø100xH.80 cm	14x E14	15,0 kg	nickel finish	€ 5.112
HPH120W	Ø120xH.80 cm	14x E14	17,0 kg	white finish	€ 4.738
HPH120N	Ø120xH.80 cm	14x E14	17,0 kg	nickel finish	€ 5.736





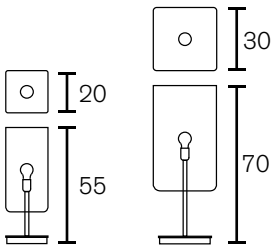
## Floor Lamp Block

Art.nr.	Dimensions	Light bulb	Weight	Finish	Price
HF170W	L.30xW.30xH.170 cm	1x E27	18,0 kg	white finish	€ 2.656
HF170N	L.30xW.30xH.170 cm	1x E27	18,0 kg	nickel finish	€ 2.974
HF190W	L.40xW.40xH.190 cm	1x E27	23,0 kg	white finish	€ 3.033
HF190N	L.40xW.40xH.190 cm	1x E27	23,0 kg	nickel finish	€ 3.393



## Table Lamp Block

Art.nr.	Dimensions	Light bulb	Weight	Finish	Price
HT55W	L.20xW.20xH.55 cm	1x E27	6,5 kg	white finish	€ 1.612
HT55N	L.20xW.20xH.55 cm	1x E27	6,5 kg	nickel finish	€ 1.788
HT70W	L.30xW.30xH.70 cm	1x E27	14,0 kg	white finish	€ 1.813
HT70N	L.30xW.30xH.70 cm	1x E27	14,0 kg	nickel finish	€ 2.468

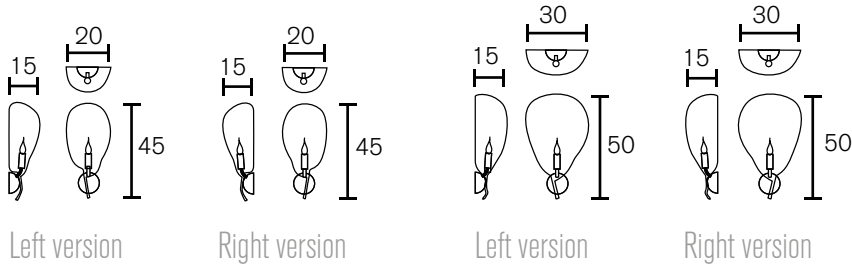


All floor- and table lamps are supplied with a dimmer.

Specifications and prices are subject to change without prior notice. Prices are exclusive of VAT.

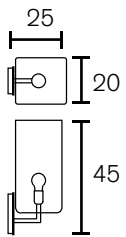
## Wall Lamp

Art.nr.	Dimensions	Light bulb	Weight	Finish	Price
HW20W-L	W.20xH.45xD.15 cm	1x E14	1,0 kg	white finish. left version	€ 1.006
HW20W-R	W.20xH.45xD.15 cm	1x E14	1,0 kg	white finish. right version	€ 1.006
HW20N-L	W.20xH.45xD.15 cm	1x E14	1,0 kg	nickel finish. left version	€ 1.118
HW20N-R	W.20xH.45xD.15 cm	1x E14	1,0 kg	nickel finish. right version	€ 1.118
HW30W-L	W.30xH.50xD.15 cm	1x E14	2,0 kg	white finish. left version	€ 1.212
HW30W-R	W.30xH.50xD.15 cm	1x E14	2,0 kg	white finish. right version	€ 1.212
HW30N-L	W.30xH.50xD.15 cm	1x E14	2,0 kg	nickel finish. left version	€ 1.344
HW30N-R	W.30xH.50xD.15 cm	1x E14	2,0 kg	nickel finish. right version	€ 1.344



## Wall Lamp Block

Art.nr.	Dimensions	Light bulb	Weight	Finish	Price
HW45N	W.20xH.45xD.25 cm	1x E27	6,0 kg	nickel finish	€ 1.788



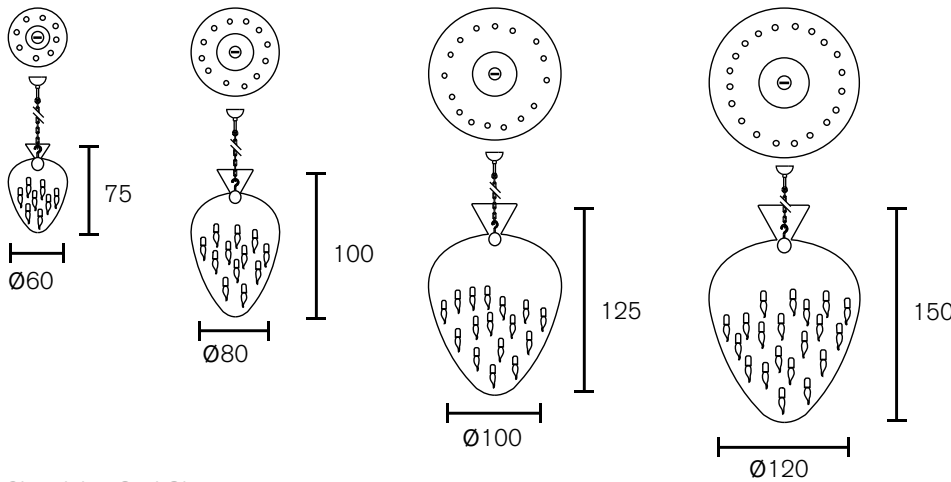
# Collection Hollywood Glass 2008

---



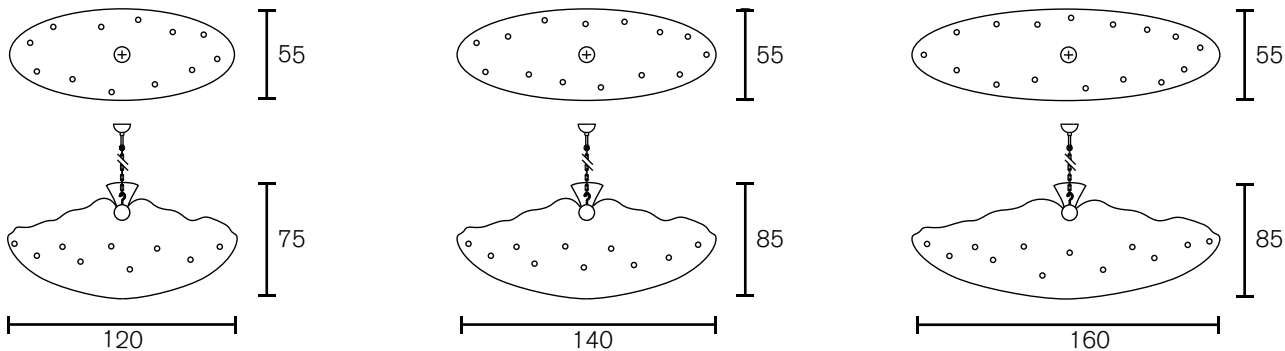
## Chandelier Conical Glass

Art.nr.	Dimensions	Light bulb	Weight	Finish	Price
HCCGL60BL	Ø60xH.75 cm	8x E14	16,0 kg	black finish	€ 5.319
HCCGL60W	Ø60xH.75 cm	8x E14	16,0 kg	white finish	€ 5.319
HCCGL60N	Ø60xH.75 cm	8x E14	16,0 kg	nickel finish	€ 5.849
HCCGL80BL	Ø80xH.100 cm	12x E14	33,0 kg	black finish	€ 5.919
HCCGL80W	Ø80xH.100 cm	12x E14	33,0 kg	white finish	€ 5.750
HCCGL80N	Ø80xH.100 cm	12x E14	33,0 kg	nickel finish	€ 6.325
HCCGL100BL	Ø100xH.125 cm	16x E14	44,0 kg	black finish	€ 7.318
HCCGL100W	Ø100xH.125 cm	16x E14	44,0 kg	white finish	€ 7.318
HCCGL100N	Ø100xH.125 cm	16x E14	44,0 kg	nickel finish	€ 7.541
HCCGL120BL	Ø120xH.150 cm	20x E14	57,0 kg	black finish	€ 9.755
HCCGL120W	Ø120xH.150 cm	20x E14	57,0 kg	white finish	€ 9.755
HCCGL120N	Ø120xH.150 cm cm	20x E14	57,0 kg	nickel finish	€ 10.122



## Chandelier Oval Glass

Art.nr.	Dimensions	Light bulb	Weight	Finish	Price
HOCGL120BL	L.120xW.55xH.75 cm	12x E14	32,0 kg	black finish	€ 6.673
HOCGL120W	L.120xW.55xH.75 cm	12x E14	32,0 kg	white finish	€ 6.673
HOCGL120N	L.120xW.55xH.75 cm	12x E14	32,0 kg	nickel finish	€ 6.888
HOCGL140BL	L.140xW.55xH.85 cm	14x E14	37,0 kg	black finish	€ 7.824
HOCGL140W	L.140xW.55xH.85 cm	14x E14	37,0 kg	white finish	€ 7.824
HOCGL140N	L.140xW.55xH.85 cm	14x E14	37,0 kg	nickel finish	€ 8.040
HOCGL160BL	L.160xW.55xH.85 cm	16x E14	49,0 kg	black finish	€ 9.431
HOCGL160W	L.160xW.55xH.85 cm	16x E14	49,0 kg	white finish	€ 9.431
HOCGL160N	L.160xW.55xH.85 cm	16x E14	49,0 kg	nickel finish	€ 9.646

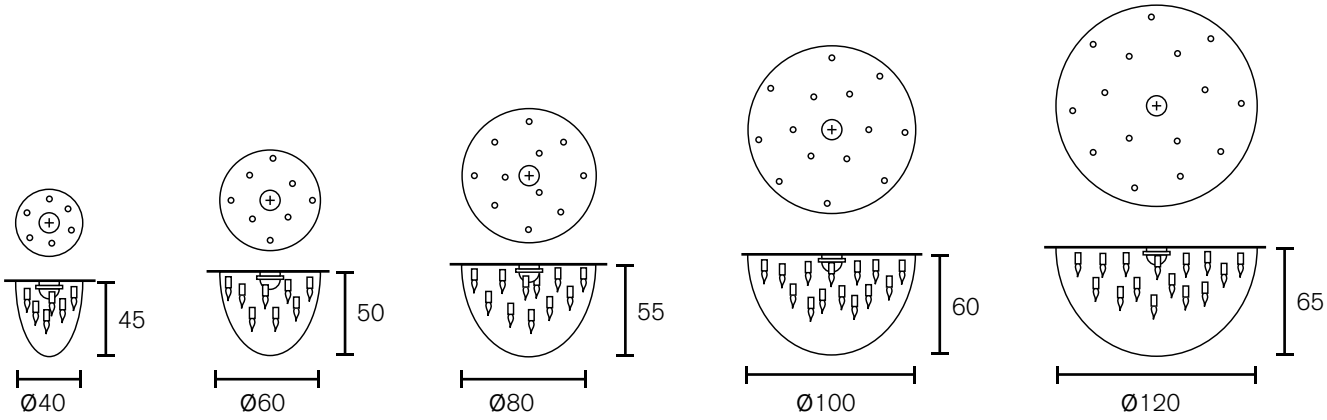


All chandeliers are supplied with 1,7 meter chain, 2 meter electrical cable and a ceiling shade.

Specifications and prices are subject to change without prior notice. Prices are exclusive of VAT.

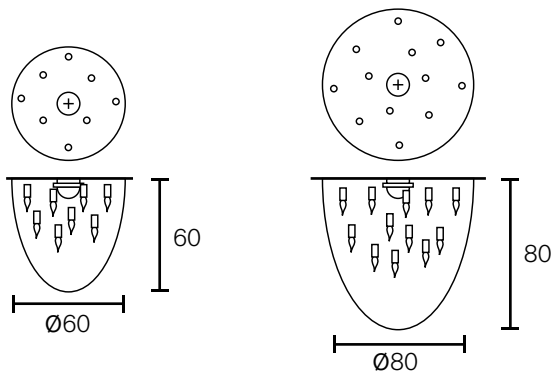
## Ceiling Chandelier Glass

Art.nr.	Dimensions	Light bulb	Weight	Finish	Price
HPGL40N	Ø40xH.45 cm	6x E14	15,0 kg	nickel finish	€ 3.817
HPGL60N	Ø60xH.50 cm	8x E14	22,0 kg	nickel finish	€ 4.454
HPGL80N	Ø80xH.55 cm	11x E14	28,0 kg	nickel finish	€ 5.330
HPGL100N	Ø100xH.60 cm	14x E14	42,0 kg	nickel finish	€ 6.360
HPGL120N	Ø120xH.65 cm	15x E14	60,0 kg	nickel finish	€ 7.511



## Ceiling Chandelier Glass High

Art.nr.	Dimensions	Light bulb	Weight	Finish	Price
HPGLH60N	Ø60xH.60 cm	8x E14	23,0 kg	nickel finish	€ 4.738
HPGLH80N	Ø80xH.80 cm	12x E14	34,0 kg	nickel finish	€ 5.736



# Certificate



Each BRAND VAN EGMOND lighting sculpture is issued with a certificate of authenticity and registered with a unique number. This guarantees that you are in possession of an original BRAND VAN EGMOND object.

We advise you to keep this certificate together with your receipt of purchase in a safe place.

# General Terms and Conditions of Sales

---

## 1. Applicability of terms and Conditions of Sales

- 1.1 These general conditions of sales and delivery shall apply to all offers, quotes, deliveries, services and agreements of Brand van Egmond B.V. ("BRAND VAN EGMOND").
- 1.2 All orders are accepted and executed by BRAND VAN EGMOND subject to and in accordance with the following conditions of sales which override and exclude any other terms stipulated or incorporated or referred to by the customer during any negotiations or in any course of dealing between BRAND VAN EGMOND and the customer.
- 1.3 No variation or deviation to these conditions of sales is permitted unless expressly authorised in writing by a director of BRAND VAN EGMOND.

## 2. Quotations and orders

- 2.1 Subject to the terms contained in this section, any quotation provided by BRAND VAN EGMOND will be without engagement.
- 2.2 Although BRAND VAN EGMOND strives to provide accurate product and pricing information, errors or misprints may occur. BRAND VAN EGMOND cannot confirm the price of a product until after the customer orders the product. Notwithstanding anything contained in this section, in the event that a product is listed at an incorrect price or with incorrect information due to an error in pricing or product information, BRAND VAN EGMOND shall have the right, at its sole discretion, to refuse or cancel any orders placed for that product. In the event that a product is priced in error or a product information error occurs, BRAND VAN EGMOND may, at its sole discretion, either contact the customer for instructions, cancel the order and notify the customer of such cancellation, and/or correct the error on its web site/pricelist, any without liability.
- 2.3 Orders are not binding on BRAND VAN EGMOND until accepted by BRAND VAN EGMOND. BRAND VAN EGMOND's acceptance of an order is evidenced in writing including return e-mail from BRAND VAN EGMOND indicating that customer's order has been accepted.
- 2.4 Changes of orders will be accepted up to 3 (three) days only from our order confirmation.
- 2.5 The cancellation of a confirmed order is valid only if it is accepted in writing by BRAND VAN EGMOND. Expenses due to cancellation will be charged.

## 3. Prices

- 3.1 Prices for products are in EUR and exclusive of VAT, unless otherwise indicated.
- 3.2 BRAND VAN EGMOND reserves the right to increase prices after execution of the agreement and without notice at any time in the event that the manufacturing prices of BRAND VAN EGMOND increase.
- 3.3 Unless indicated otherwise in writing by BRAND VAN EGMOND, the prices are based on delivery on the basis of EXW (Ex Works), Naarden, The Netherlands (according to the latest version of the ICC Incoterms®).

## 4. Payment

- 4.1 Unless credit terms have been agreed to in writing by BRAND VAN EGMOND, customer shall pay invoices within thirty (30) days from the date of the invoices without any deductions or set-off whatsoever.
- 4.2 If payment is not received by BRAND VAN EGMOND by the due date, the customer shall pay a financing charge of 2% of the capital sum for each month or portion thereof during which payment remains outstanding, until payment is made in full.
- 4.3 BRAND VAN EGMOND reserves the right to demand payment up front or to demand security for the payment of the invoices before commencing the production and/or delivery of the products.
- 4.4 If the customer fails to make payment by the due date or fails to provide security without prejudice to any other right or remedy, and without prior notice of default, BRAND VAN EGMOND shall be entitled to: i. cancel the order or suspend any further deliveries; and ii. appropriate any payment made by the customer to such of the products (or the products supplied under any other contract) as BRAND VAN EGMOND may think fit.
- 4.5 All expenses in connection with the recovery of the amounts payable and not paid in time by BRAND VAN EGMOND shall be for the account of the customer. The extrajudicial expenses shall be at least 15% of the amount due, at a minimum of Euro 750, and shall already be payable and claimable as soon as the claim is passed out of hand for collection.

## 5. Accounts

A customer wishing to open a credit account must furnish such information as requested by BRAND VAN EGMOND and BRAND VAN EGMOND will make a search with a credit reference agency. BRAND VAN EGMOND reserves the right in its absolute discretion to grant, refuse or discontinue any credit facilities or reduce or suspend any credit limit at any time.

## 6. Product availability; special orders

- 6.1 Product availability may be limited. Products may not be available for immediate delivery. BRAND VAN EGMOND reserves the right, without liability or prior notice, to revise or cease to make available any or all products. All articles shall be executed in standard design.
- 6.2 For an order of deviating models or colours or special requests a surcharge shall be made, this after prior written consultation. All special orders are, unless agreed to otherwise in writing, paid for by the customer upfront.

## 7. Delivery

- 7.1 Unless agreed otherwise in writing delivery shall take place EXW (Ex Works) Naarden, the Netherlands, according to the latest version of the ICC Incoterms®.
- 7.2 BRAND VAN EGMOND will use reasonable endeavours to meet delivery estimates but in no circumstances shall it be liable to compensate the customer for non-delivery or late delivery.
- 7.3 BRAND VAN EGMOND reserves the right to deliver by instalments or in parts. Failure to meet a delivery date where delivery is by instalments shall not preclude BRAND VAN EGMOND's right to make further deliveries by instalments under the relevant contract.

- 7.4 The customer may request delivery by instalments for a maximum period of 12 months from the date of order.
- 7.5 The risk for the goods to be delivered shall pass to the customer from the moment that they are placed at the disposal of the customer at the premises of BRAND VAN EGMOND unless agreed to otherwise in writing. Any assistance by BRAND VAN EGMOND with the loading of the goods on any means of transportation shall be for the risk of the customer.
- 7.6 If delivery of the goods is refused by the customer, without prejudice to the provisions of article 9, the risk of the goods shall pass to the customer at once and BRAND VAN EGMOND can immediately claim payment. BRAND VAN EGMOND shall keep the goods at the customer's risks and expense until further notice.
- 7.7 If the customer continues to default after being summoned BRAND VAN EGMOND shall be entitled to dispose of the goods or to give them another destination. Any proceeds shall be credited to the customer with deduction of all expenses coming for his account, without prejudice to BRAND VAN EGMOND's right to full payment of the agreed price.

## **8. Inspection, defects and non-delivery, returns**

- 8.1. The customer must inspect the products at the moment of delivery. BRAND VAN EGMOND shall not be liable for any defects in the products unless written notice with a statement of reasons is given to BRAND VAN EGMOND within seven (7) days of receipt. If complaints have not been made in the above mentioned manner and within the aforementioned period of seven (7) days, the delivery shall be considered unconditionally accepted.
- 8.2. The quantity of any consignment of products as recorded by BRAND VAN EGMOND upon despatch from BRAND VAN EGMOND's place of business shall be conclusive evidence of the quantity received by the customer on delivery, unless the customer can provide conclusive evidence to the contrary.
- 8.3. Customary deviations shall not be reasons for complaint.
- 8.4. Any liability of BRAND VAN EGMOND for non-delivery or defective products shall to BRAND VAN EGMOND's discretion be limited to replacing, repairing or making up the products within a reasonable time.
- 8.5. No order can be cancelled or accepted without previous written agreement of BRAND VAN EGMOND.
- 8.6. Products may not be returned without BRAND VAN EGMOND's permission. If BRAND VAN EGMOND agrees to take the Products back, the customer shall obtain a return merchandise authorisation number (RMA number). Any products returned must be provided with the RMA number by the customer and be received by BRAND VAN EGMOND within seven (7) days of delivery and must be complete, undamaged and in original packaging. Products returned after seven (7) days as unwanted or incorrectly ordered will be accepted at the discretion of BRAND VAN EGMOND and will be subject to a restocking fee representing 30% of the invoice value of the products.
- 8.7. Certain products - such as products specially designed or manufactured for the customer - are excluded from any return. The customer is responsible for returning products to BRAND VAN EGMOND and for providing proof of delivery of such return.
- 8.8. Products will be returned at the customer's expense.

## **9. Retention of title**

- 9.1 Ownership of the products shall not pass to the customer until BRAND VAN EGMOND has received in full (in cash or cleared funds) all sums due in respect of the products.
- 9.2 The customer shall not be entitled to alienate or encumber the products in any way as long as full payment has not been made to BRAND VAN EGMOND, except where and in so far as the normal conduct of business is concerned. The customer shall be obliged to pledge to BRAND VAN EGMOND any claims on third parties resulting from this, on pain of a fine to the amount of 50% of the invoice amount for the goods supplied, with a minimum of € 2.250,=.
- 9.3 If payment is not received in full by the due date, or the customer passes a resolution for winding up or a court shall make an order to that effect, or a receiver is appointed over any assets or the undertaking of the customer or an execution or distress is levied against the customer, BRAND VAN EGMOND shall be entitled, without previous notice, to retake possession of the products and for that purpose to enter upon any premises occupied or owned by the customer.

## **10. Performance and fitness for purpose**

- 10.1 Unless any performance figures, tolerances or characteristics have been specifically and expressly warranted by a director of BRAND VAN EGMOND in writing, BRAND VAN EGMOND accepts no liability for any failure of the products to obtain such figures.
- 10.2 The responsibility for ensuring that products are sufficient and suitable for a particular purpose is the customer's, unless specifically stated in writing by a director of BRAND VAN EGMOND.
- 10.3 Any advice or recommendation given by an employee of BRAND VAN EGMOND, which is not confirmed in writing by a director of BRAND VAN EGMOND, is acted on entirely at the customer's risk and BRAND VAN EGMOND and its employees shall not be liable for any such advice or recommendation which is not so confirmed.

## **11. Guarantee**

- 11.1 Each product has been manufactured and packaged to meet BRAND VAN EGMOND's high standards. Any defects which, under proper use, appear in the products within a period of twelve (12) months (unless otherwise stated by BRAND VAN EGMOND) and which are due to faulty materials, workmanship or design will be made good by BRAND VAN EGMOND either by repair, or at BRAND VAN EGMOND's option, replacement (which is BRAND VAN EGMOND's sole obligation and the customer's sole remedy).
- 11.2 BRAND VAN EGMOND's guarantee is accepted by the customer in substitution for all express or implied representations, conditions or warranties, statutory or otherwise, as to the satisfactory quality, fitness for purpose or performance of the products (or any materials used in connection therewith) or the standard of workmanship of any services provided, and all such representations, conditions and warranties are excluded.
- 11.3 BRAND VAN EGMOND shall not be liable for defective products if the defect arises because the customer alters or repairs such products without the written consent of BRAND VAN EGMOND or because the customer did not follow the manufacturers' instructions for storage, usage, installation, use or maintenance of the products.
- 11.4 Any products replaced or repaired under this paragraph will be guaranteed on these terms for any unexpired portion of the guarantee given on the original products.

## **12. Liability**

- 12.1 These conditions of sales set out the entire liability of BRAND VAN EGMOND to the customer in respect of the products and shall be in lieu and to the exclusion of all other warranties, conditions, and other terms implied by statute or common law save for any implied terms which by law cannot be excluded.



- 12.2 Nothing in these conditions of sale excludes or limits the liability of BRAND VAN EGMOND for death or personal injury caused by BRAND VAN EGMOND's negligence or fraudulent misrepresentation.
- 12.3 BRAND VAN EGMOND's total liability in contract, tort (including negligence or breach of statutory duty), misrepresentation or otherwise shall be limited to repairing, replacing or at BRAND VAN EGMOND's option refunding monies already paid in respect of the products.
- 12.4 BRAND VAN EGMOND shall not be liable to the customer for any indirect or consequential loss or damage (whether for loss of profit, loss of business, loss of goodwill or otherwise) costs, expenses or other claims for consequential compensation whatsoever (whether caused by the negligence of BRAND VAN EGMOND, its employees, agents or subcontractors) which arise out or in connection with any contract.
- 12.5 BRAND VAN EGMOND shall not be liable for damage if the customer has not held BRAND VAN EGMOND liable for the damage by registered letter within a reasonable time after becoming aware of the cause of damage, but not later than thirty (30) days after becoming aware of the damage.
- 12.6 All stipulations concerning the exclusion or limitation of BRAND VAN EGMOND's liability for and concerning BRAND VAN EGMOND's indemnity against claims of third parties have also been made for the benefit of the persons who are employed by BRAND VAN EGMOND as well as third parties for whose actions or omissions BRAND VAN EGMOND can be liable.

### **13. Termination**

- 13.1 If the customer is in default with timely payment or fulfilment of other obligations towards BRAND VAN EGMOND, BRAND VAN EGMOND shall remain entitled, without any notice of default, to consider the agreement rescinded, without prejudice to BRAND VAN EGMOND's right to full compensation of damage suffered and to be suffered and any further rights.
- 13.2 The power to rescind the agreement on the strength of article 13.1 shall also be due to BRAND VAN EGMOND if BRAND VAN EGMOND finds that the customer has filed an application for a provisional moratorium, is being declared bankrupt, goods of the customer are being attached before judgment or under an execution, or his debts are being liquidated.
- 13.3 The damage suffered and yet to be suffered as referred to in article 13.1. shall be at least 10% of the agreed price, without BRAND VAN EGMOND being obliged to prove that this damage has been or will be suffered.
- 13.4 In the event of rescission on the strength of article 13 any credit that BRAND VAN EGMOND has granted the customer shall be claimable immediately without further notice of default being required.

### **14. Intellectual property rights**

- 14.1 The only BRAND VAN EGMOND trademarks and/or other rights of intellectual property that the customer may display to advertise and sell the products, shall be those trademarks and/or intellectual property rights under which the products are sold by BRAND VAN EGMOND to the customer hereunder, or such other trademarks expressly authorized by BRAND VAN EGMOND (hereinafter called "the said trademarks").
- 14.2 The customer shall comply with BRAND VAN EGMOND's instructions as to the manner and context in which the said trademarks and the statements to accompany them are displayed.
- 14.3 No trademarks of the products shall be undertaken by the customer or any person on the customer's behalf without BRAND VAN EGMOND's prior written consent nor will the customer alter, obliterate, add to, or otherwise interfere with the said trademarks and/or other intellectual property rights.

### **15. Export**

- 15.1 The customer is responsible at its own expense for obtaining any licence and complying with any export or import regulations in force within the country for which the products are destined.
- 15.2 BRAND VAN EGMOND reserves the right not to supply certain customers or countries and to seek from the customer full details of the end use and final destination of the products.

### **16. Force majeure**

- 16.1 BRAND VAN EGMOND shall not be liable to the customer in any manner or be deemed to be in breach of these conditions of sale because of any delay in performing or any failure to perform any of BRAND VAN EGMOND's obligations under these conditions of sale if the delay or failure was due to any cause beyond BRAND VAN EGMOND's reasonable control (which shall include, but not be limited to government actions, war, fire, explosion, flood, import or export regulations or embargoes, labour disputes or inability to obtain or a delay in obtaining supplies of products or labour, lack and/or interruptions in the means of transport, production equipment or energy supplies).
- 16.2 BRAND VAN EGMOND may, at its option, delay the performance of, or cancel the whole or any part of a contract.

### **17. General**

- 17.1 Any provision of these conditions of sale which is held by any competent authority to be invalid, void, unenforceable or unreasonable (in whole or in part) shall to the extent of such invalidity, voidness, voidability, unenforceability or unreasonableness be deemed severable and the other provisions of these Conditions of Sale and the remainder of such provision shall not be affected.
- 17.2 Failure by BRAND VAN EGMOND to enforce or partially enforce any provision of these conditions of sale will not be constrained as a waiver of any rights under these conditions of sale.

### **18. Legal construction**

- 18.1 All disputes, suits, actions or other legal proceedings arising out of or related to these conditions of sale shall be governed by and interpreted in accordance with the laws of the Netherlands and the customer submits to the jurisdiction of the courts of the Netherlands, but BRAND VAN EGMOND may enforce such contract in any court of competent jurisdiction.
- 18.2 The United Nations Convention on contracts for the International Sale of Goods (1980) is not applicable (CISG).

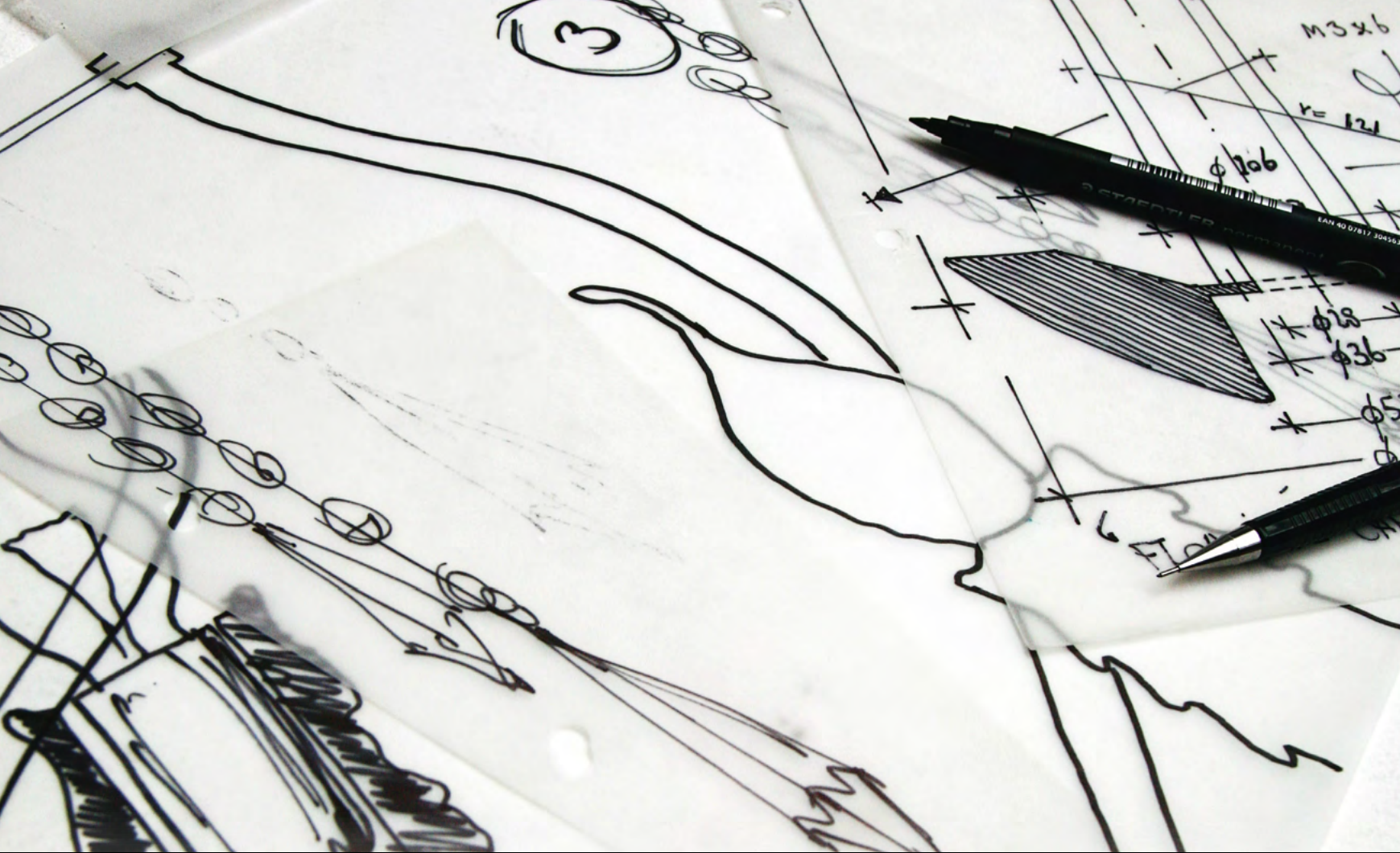
# Minimum advertised pricing policy / agreement

---

BRAND VAN EGMOND has spent years building a brand of strong recognition and a high perceived value. By not adhering to the established Minimum Advertised Price (MAP) a reseller can have a dramatic effect of diminishing or detracting from the perceived value of the BRAND VAN EGMOND brand and its products. The internet, with its worldwide impact, has the possibility to cause harm to any companies' products, if they are advertised at prices that will eliminate any legitimate retail competition. Therefore, if BRAND VAN EGMOND and your company are partners, you will need to agree and abide by the following requirements and restrictions.

The MAP policy shall work under the following guidelines:

- 1) Resellers are not required to list prices in advertising. If a price is listed in an advertisement it must be at or above MAP. The Minimum Advertised Price for any BRAND VAN EGMOND product shall not be less than 4% below the current Manufacturer's Suggested Retail Price (MSRP) as published on the BRAND VAN EGMOND price List. In case the listed price is above MSRP, the maximum advertised discount shall be not more than 10%, in order not to degrade the image of BRAND VAN EGMOND.
- 2) MAP pricing is established by BRAND VAN EGMOND and may be adjusted by BRAND VAN EGMOND at its sole discretion. International accounts must reflect pricing as translated into their local currency.
- 3) Resellers are also responsible for ensuring their BRAND VAN EGMOND listed pricing is at or above MAP on internet search engines. Resellers are free to set the actual resale price of any product as long as it is at or above MAP price given the current MSRP. BRAND VAN EGMOND's MAP policy for all BRAND VAN EGMOND products apply to advertising placements, including but not limited to: print ads (inserts, magazines, newspapers, catalogs, mail 1 order catalogs, etc.), broadcast (radio and TV), direct mail, faxes, internet placement with third parties (banner ads, broadcast emails, destination pages, third-party sites), internet placements on resellers own website, and any flyers, posters or coupons.
- 4) If BRAND VAN EGMOND has proof of violation of the MAP Policy, BRAND VAN EGMOND will immediately decrease the discount rate applied to the partner by 10%. If a second breach of the agreement is found, another 10% will be deducted. BRAND VAN EGMOND employees have no authority to modify or grant exceptions to this MAP Policy.
- 5) The inclusion in advertising of free or discounted products (whether made by BRAND VAN EGMOND or another manufacturer) with a product covered by the MAP policy would be contrary to the policy if it has the effect of discounting the advertised price of the covered product below the MAP.
- 6) Dealer agrees to hold all trademarks of BRAND VAN EGMOND as the property of BRAND VAN EGMOND and use advertising materials provided by BRAND VAN EGMOND in an authorized manner only.
- 7) This MAP Policy shall apply to all BRAND VAN EGMOND products, except for
  - (a) those products which are discontinued (no longer on the then current price list published by BRAND VAN EGMOND),
  - (b) products which have been repeatedly used for demonstration purposes, such as floor samples, and/or
  - (c) products which have been substantially and materially damaged for any reason, provided those products are clearly labelled as being "discontinued items", "marketing/floor samples", "used items" or "damaged items", as the case may be. In this case it should be made clear in the advertisement that this is the reason for the discount. Product promotions may not result in an advertised price below the MAP Price.
- 8) Sales representatives of BRAND VAN EGMOND products will supply a copy of the BRAND VAN EGMOND MAP policy to any new or existing reseller to be filled out, acknowledged and returned to BRAND VAN EGMOND. This form shall be signed and returned to BRAND VAN EGMOND and in doing so, will bind the reseller to abide by the MAP and reseller requirements spelled out in this document.



# William Brand

designer / owner

William was trained as an artist and an architect. He graduated at the Utrecht School of Arts.

As an award-winning furniture designer he for many years designed buildings and interiors for fashion brands, including the headquarters of BRAND VAN EGMOND. His interior designs are always minimalist, in contrast to his lighting designs which have a powerful sculptural presence. He considers his lighting objects to be “the cherry on the cake”. His way of working is quite specific. Immediately after defining the concept he starts working in the workshop like a sculptor; experimenting and crafting while having the object grow in his hands, often with unexpected results. Therefore the journey is just as exciting and important as the destination.





Architects and other co-creatives are invited to discover the endless possibilities of customising our lighting sculptures. We hope to inspire you through the different colours and forms of various compositions, just as we enjoy being stimulated by your requests. William Brand's background in architecture gives him the insight to fully understand the demands and challenges of your work. Combined with his experience he is the perfect partner to translate your needs into handcrafted reality.

For our clients we not only customise to different dimensions, but also to different finishes: allowing a truly personal lighting sculpture to be created.

New finishes, applicable to several collections, are brass grinded and brass burnished.

The possibilities with our lighting sculptures are, in fact, limitless. Here are some of the possibilities.



## Optional finishes



008

Bronze finish



013

Copper finish



018

Nickel aged finish



012

Brass aged finish



017

Brass grinded finish



010

Brass finish



002

Black matt finish



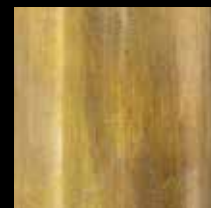
004

White matt finish



001

Nickel finish



019

Brass burnished finish

# Colofon

## **BRAND VAN EGMOND**

William Brand

### **Photography by**

Brigitte Kroone: pag 30, 32, 90, 96, 111

BvE: pag 50, 52, 78, 118

Daniel Nicolas: Cover and pag 2, 4, 6, 10, 14, 18, 20, 22, 24, 29, 34, 37, 38, 42, 46, 54, 60, 99, 100, 108, 119

Marco Hamoen: pag 56, 58, 63, 64, 72, 74, 76, 80, 84, 88, 92

Mark Groeneveld: pag 117

All rights reserved, copyright© Brand van Egmond B.V. ® 2019 For all models, texts, layout and images. Specifications are subject to change without prior notice. Brand van Egmond manufactures exclusive lighting sculptures on a small scale. Because their products are handmade, they can differ from one another. Each product has its own identity and therefore is unique. Each item is labelled with its own number and seal. Brand van Egmond reserves the right to change their models from time to time without prior notice. The designs, texts, layout or pictures included in this brochure are protected by copyright and/or industrial design rights. No part there of may be made public, reproduced or amended in any form or in any manner whatsoever, for commercial purposes by third parties, including dealers, retailers, internet shops and others, without the prior and express written permission of the designer William Brand.



**BRAND VAN EGMOND B.V.** Nikkelstraat 41, 1411 AH Naarden, the Netherlands

 +31 (0)35 692 12 59

 +31 (0)35 691 17 25

 [info@brandvanegmond.com](mailto:info@brandvanegmond.com)

 [www.brandvanegmond.com](http://www.brandvanegmond.com)